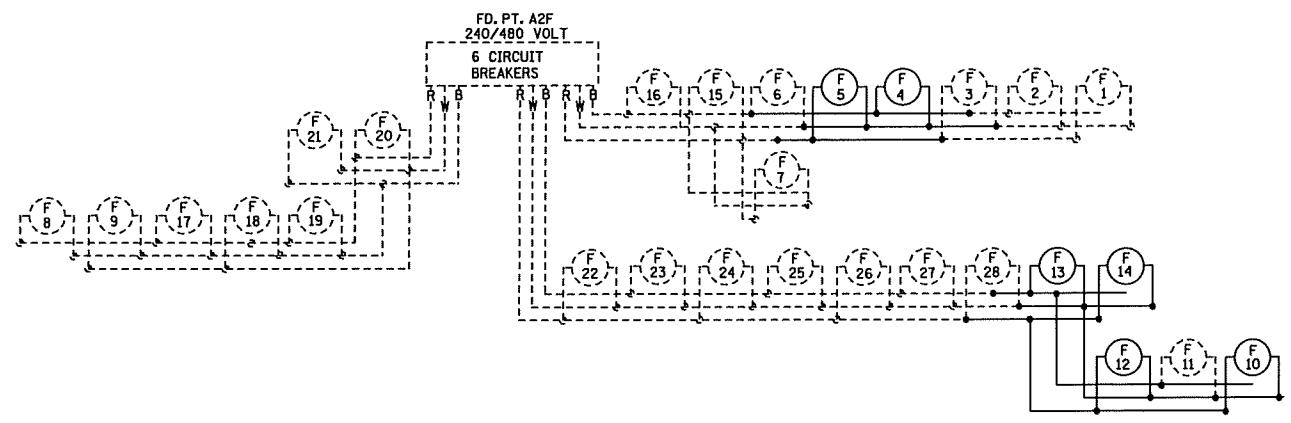




FD. PT. A2F

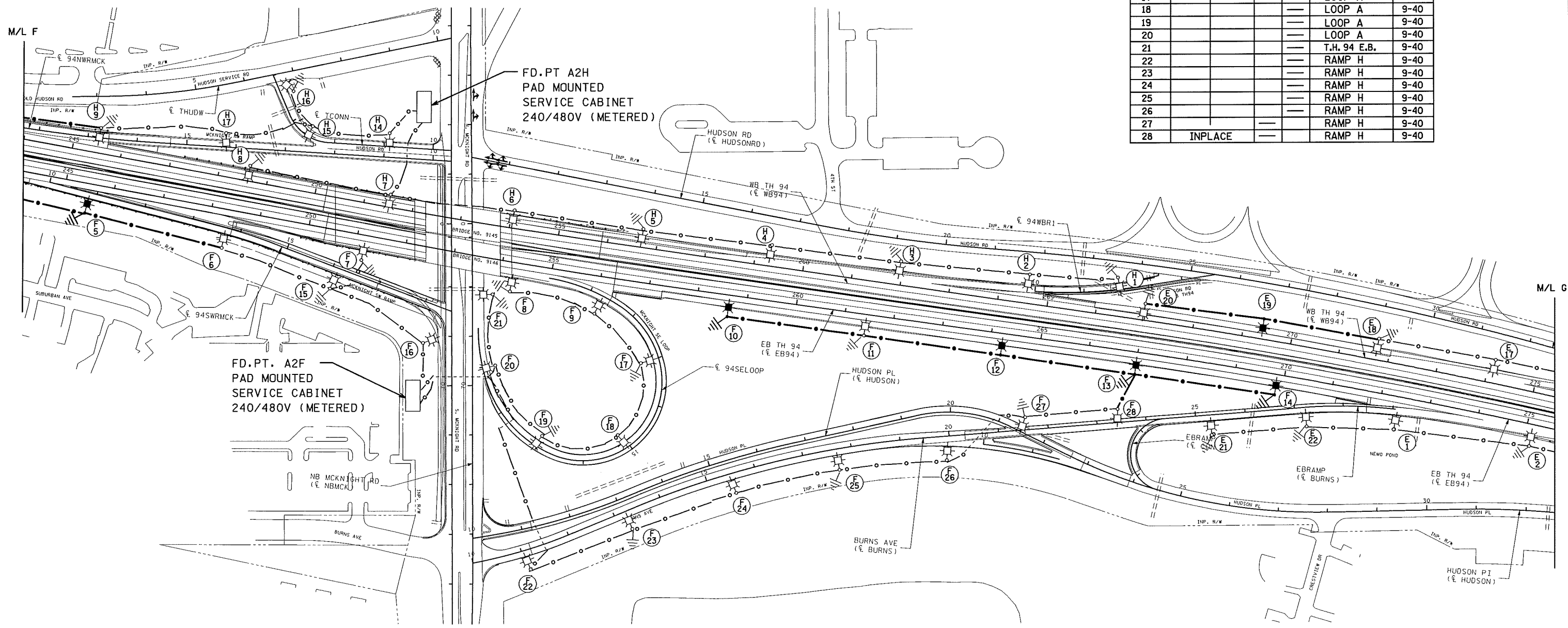
LIGHTING STANDARDS AND FOUNDATIONS					
NO.	STATION	LT.	RT.	LOCATION	TYPE
1	INPLACE			T.H. 94 E.B.	9-49
2	INPLACE			T.H. 94 E.B.	9-49
3	INPLACE			T.H. 94 E.B.	9-49
4	242+95			T.H. 94 E.B.	9-49
5	245+50			T.H. 94 E.B.	9-49
6	INPLACE			T.H. 94 E.B.	9-49
7	INPLACE			T.H. 94 E.B.	9-49
8	INPLACE			T.H. 94 E.B.	9-49
9	INPLACE			T.H. 94 E.B.	9-49
10	258+65			T.H. 94 E.B.	9-49
11	INPLACE			T.H. 94 E.B.	9-49
12	264+25			T.H. 94 E.B.	9-49
13	267+00			T.H. 94 E.B.	9-49
14	269+85			T.H. 94 E.B.	9-49
15	INPLACE			RAMP I	9-40
16				RAMP I	9-40
17				LOOP A	9-40
18				LOOP A	9-40
19				LOOP A	9-40
20				LOOP A	9-40
21				T.H. 94 E.B.	9-40
22				RAMP H	9-40
23				RAMP H	9-40
24				RAMP H	9-40
25				RAMP H	9-40
26				RAMP H	9-40
27				RAMP H	9-40
28	INPLACE			RAMP H	9-40

B AND R DENOTE CURRENT CARRYING CONDUCTORS
W DENOTES NEUTRAL CONDUCTOR
DASHED LINE DENOTES INPLACE ITEMS



LEGEND

- INPLACE LIGHTING UNIT
- INSTALL SALVAGED LIGHTING UNIT
- LIGHT FOUNDATION
- INPLACE DIRECT BURIED CABLE
- INPLACE SERVICE CABINET
- INPLACE HANDHOLE
- DIRECT BURIED CABLE 4 CONDUCTOR NO. 4
- PERMANENT GROUND ROD (25 OHMS OR LESS)
- INPLACE CONDUIT
- 3" PVC (UNLESS OTHERWISE NOTED)



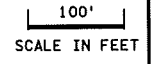
LIGHTING SYSTEM B FEED POINT A2F

BY	DATE	REVISIONS	FEEDPOINT: A2F LOCATION: T.H. 94 @ MCKNIGHT RD. METER ADDRESS: 620 MCKNIGHT RD.N. ST.PAUL 55119	LIGHTING PLAN
			CERTIFIED BY <i>Michael P. Lubinsky</i> LIC. NO. 19863 DATE: 10/1/2015	STATE PROJ.NO. 6283-234 (T.H. 94) SHEET NO. SL25 OF SL27 SHEETS
DRAWN BY: SJK		CKD BY: PB	DATE: 07-10-15	

DISTRICT #: METRO
 I/PLOT NAME: A2F layout
 PATH & FILENAME: IP_PWP-d1596568SP 6283-234.dgn
 PLOTTED/REVISED: 10/1/2015

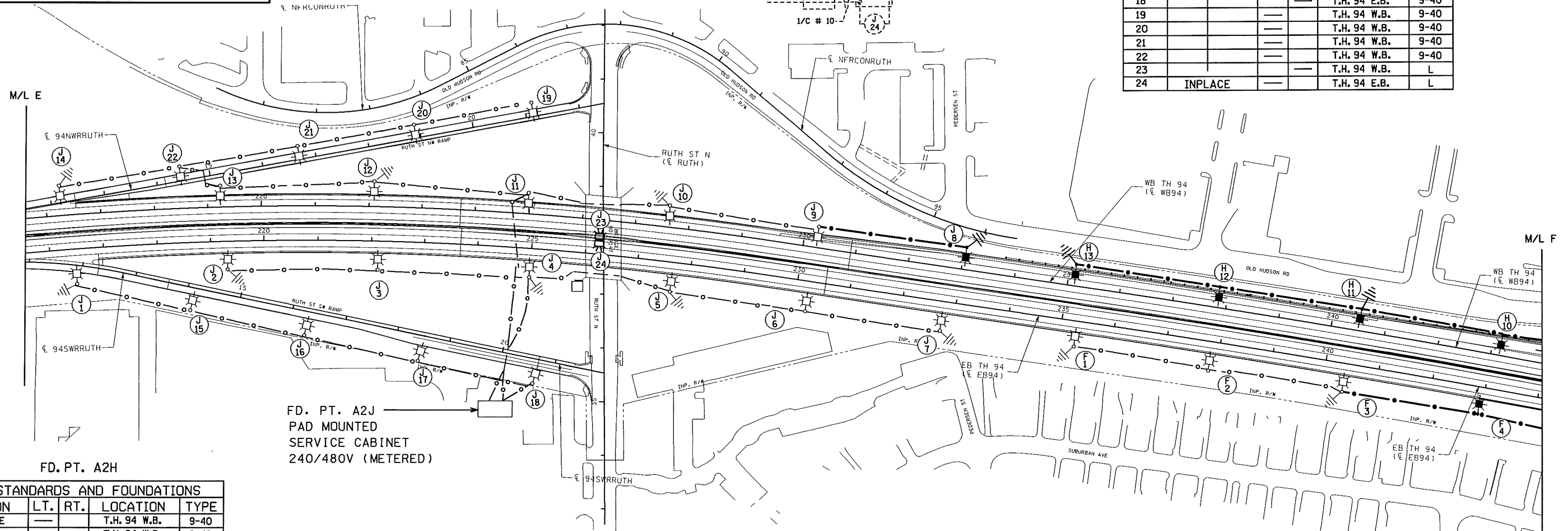
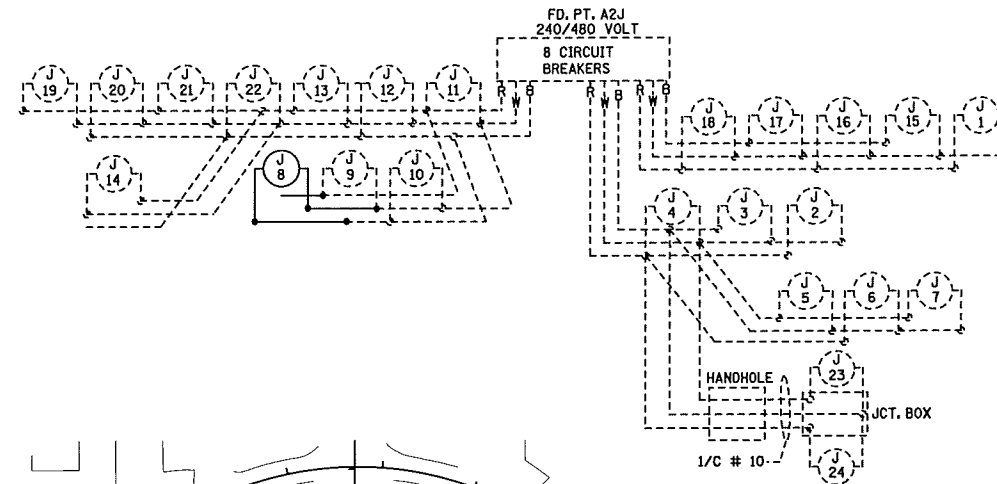
B AND R DENOTE CURRENT CARRYING CONDUCTORS
 W DENOTES NEUTRAL CONDUCTOR
 DASHED LINE DENOTES INPLACE ITEMS

LIGHTING STANDARDS AND FOUNDATIONS				
NO.	STATION	LT.	RT.	LOCATION
1	INPLACE	---	---	T.H. 94 E.B.
2		---	---	T.H. 94 E.B.
3		---	---	T.H. 94 E.B.
4		---	---	T.H. 94 E.B.
5		---	---	T.H. 94 E.B.
6		---	---	T.H. 94 E.B.
7	INPLACE	---	---	T.H. 94 E.B.
8	233+05	---	---	T.H. 94 W.B.
9	INPLACE	---	---	T.H. 94 W.B.
10		---	---	T.H. 94 W.B.
11		---	---	T.H. 94 W.B.
12		---	---	T.H. 94 W.B.
13		---	---	T.H. 94 W.B.
14		---	---	T.H. 94 W.B.
15		---	---	T.H. 94 E.B.
16		---	---	T.H. 94 E.B.
17		---	---	T.H. 94 E.B.
18		---	---	T.H. 94 E.B.
19		---	---	T.H. 94 W.B.
20		---	---	T.H. 94 W.B.
21		---	---	T.H. 94 W.B.
22		---	---	T.H. 94 W.B.
23		---	---	T.H. 94 W.B.
24	INPLACE	---	---	T.H. 94 E.B.



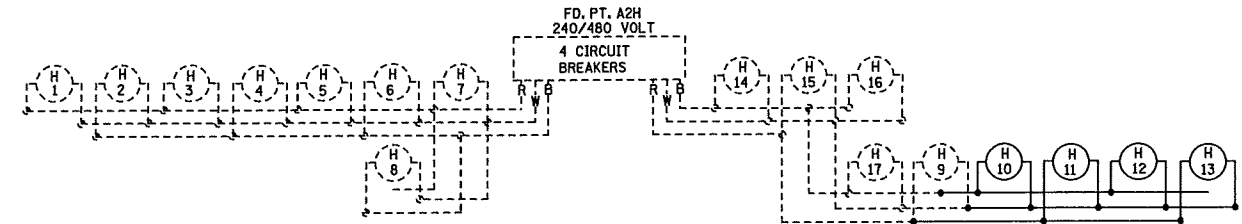
LEGEND

- INPLACE LIGHTING UNIT
- INSTALL SALVAGED LIGHTING UNIT
- LIGHT FOUNDATION
- INPLACE DIRECT BURIED CABLE
- INPLACE SERVICE CABINET
- INPLACE HANDHOLE
- DIRECT BURIED CABLE 4 CONDUCTOR NO. 4
- PERMANENT GROUND ROD (25 OHMS OR LESS)
- INPLACE CONDUIT
- 3" PVC (UNLESS OTHERWISE NOTED)



FD. PT. A2J
 PAD MOUNTED
 SERVICE CABINET
 240/480V (METERED)

B AND R DENOTE CURRENT CARRYING CONDUCTORS
 W DENOTES NEUTRAL CONDUCTOR
 DASHED LINE DENOTES INPLACE ITEMS



LIGHTING SYSTEM B FEED POINT A2J AND A2H

LIGHTING STANDARDS AND FOUNDATIONS				
NO.	STATION	LT.	RT.	LOCATION
1	INPLACE	---	---	T.H. 94 W.B.
2		---	---	T.H. 94 W.B.
3		---	---	T.H. 94 W.B.
4		---	---	T.H. 94 W.B.
5		---	---	T.H. 94 W.B.
6		---	---	T.H. 94 W.B.
7		---	---	T.H. 94 W.B.
8		---	---	T.H. 94 W.B.
9	INPLACE	---	---	T.H. 94 W.B.
10	243+15	---	---	T.H. 94 W.B.
11	240+50	---	---	T.H. 94 W.B.
12	237+85	---	---	T.H. 94 W.B.
13	235+10	---	---	T.H. 94 W.B.
14	INPLACE	---	---	T RAMP A
15		---	---	T CONN
16		---	---	T CONN
17	INPLACE	---	---	T RAMP A

FEEDPOINT: A2J LOCATION: T.H. 94 @ RUTH ST.
 METER ADDRESS: 281 RUTH ST. N. ST.PAUL 55119

FEEDPOINT: A2H LOCATION: T.H. 94 @ RUTH ST.
 METER ADDRESS: 620 MCKNIGHT RD. N.ST.PAUL 55119

LIGHTING PLAN

BY	DATE	REVISIONS

DRAWN BY: SJK CKD BY: PB DATE: 07-10-15

CERTIFIED BY Michael P. Dubinsky LIC. NO. 19863 DATE: 10/1/2015
LICENSED PROFESSIONAL ENGINEER

STATE PROJ.NO. 6283-234 (T.H. 94) SHEET NO. SL24 OF SL27 SHEETS

DISTRICT #: METRO
 PLOT NAME: A2J and A2H layout
 PATH & FILENAME: IP_PWP-dj596568SP 6283-234.dgn
 PLOTTED/REVISED: 10/1/2015