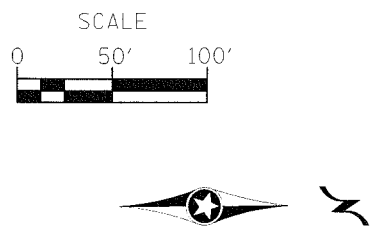
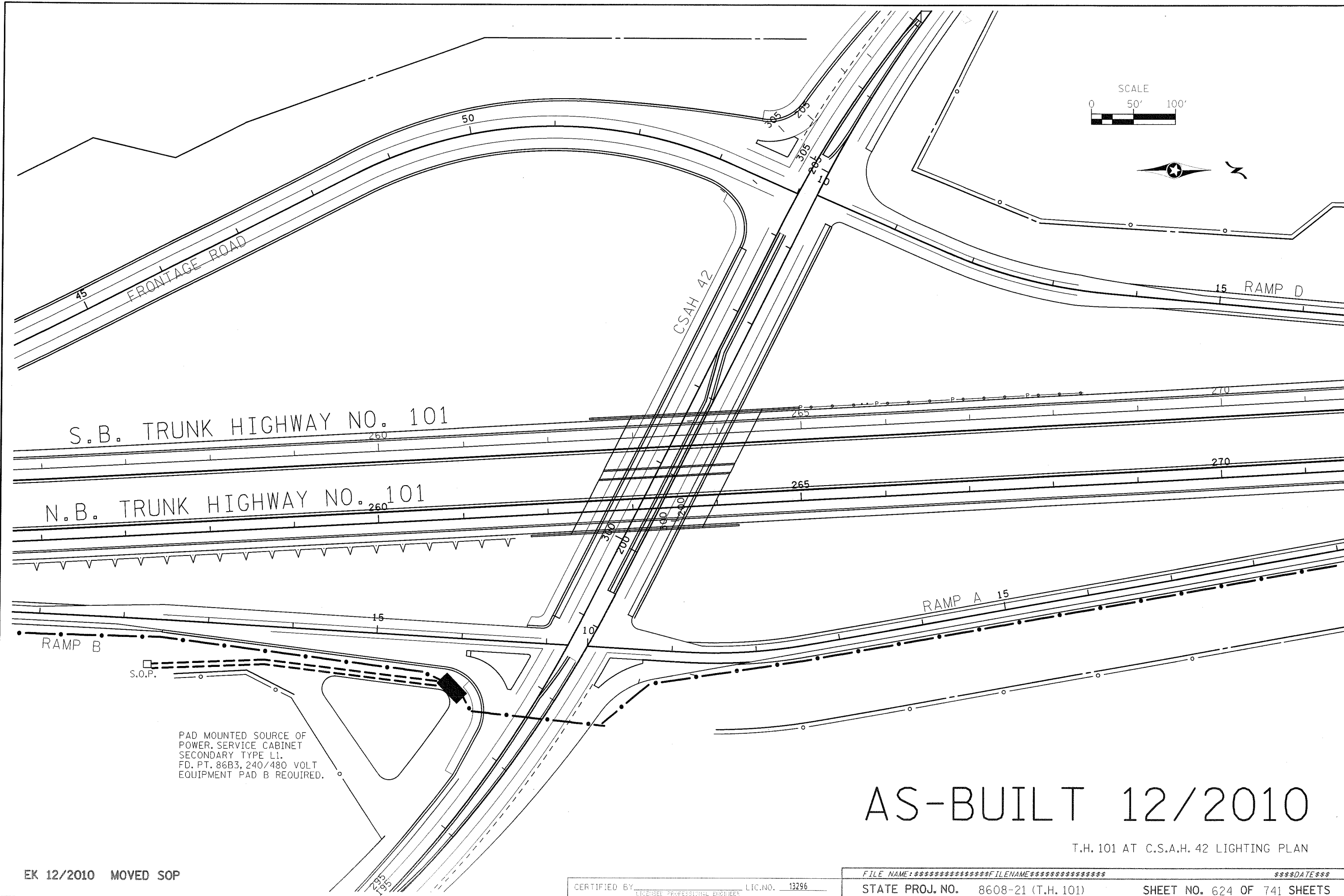


T.H. 101 AT C.S.A.H. 42 LIGHTING PLAN

CERTIFIED BY \_\_\_\_\_ LIC. NO. 13296  
LICENSED PROFESSIONAL ENGINEER

FILE NAME: \*\*\*\*\*FILENAME\*\*\*\*\*  
STATE PROJ. NO. 8608-21 (T.H. 101)

\*\*\*\*DATE\*\*\*  
SHEET NO. 623 OF 741 SHEETS



S.B. TRUNK HIGHWAY NO. 101

N.B. TRUNK HIGHWAY NO. 101

CSAH 42

RAMP D

RAMP A

RAMP B

S.O.P.

PAD MOUNTED SOURCE OF  
POWER. SERVICE CABINET  
SECONDARY TYPE L1.  
FD. PT. 86B3, 240/480 VOLT  
EQUIPMENT PAD B REQUIRED.

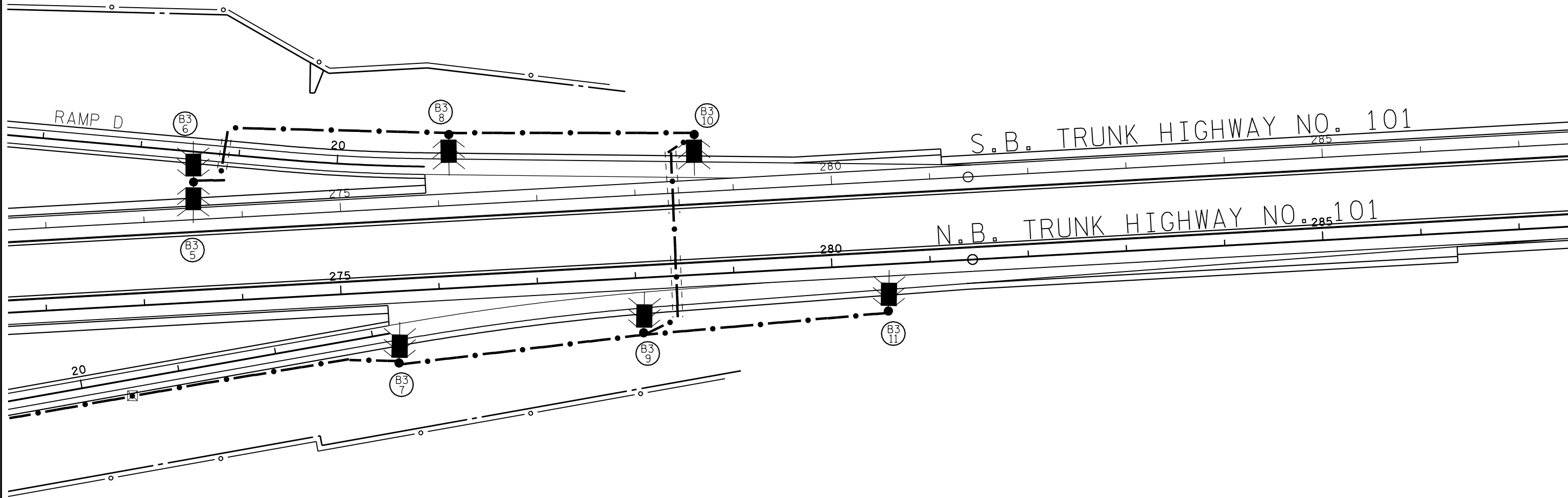
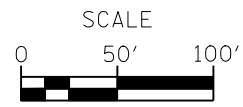
AS-BUILT 12/2010

T.H. 101 AT C.S.A.H. 42 LIGHTING PLAN

EK 12/2010 MOVED SOP

CERTIFIED BY \_\_\_\_\_ LIC. NO. 13296

FILE NAME: \*\*\*\*\* ILENAME \*\*\*\*\*  
STATE PROJ. NO. 8608-21 (T.H. 101) SHEET NO. 624 OF 741 SHEETS



T.H. 101 AT C.S.A.H. 42 LIGHTING PLAN

CERTIFIED BY \_\_\_\_\_ LIC.NO. 13296  
LICENSED PROFESSIONAL ENGINEER

FILE NAME: \*\*\*\*\*FILENAME\*\*\*\*\*

\*\*\*\*DATE\*\*\*\*

STATE PROJ. NO. 8608-21 (T.H. 101)

SHEET NO. 625 OF 741 SHEETS