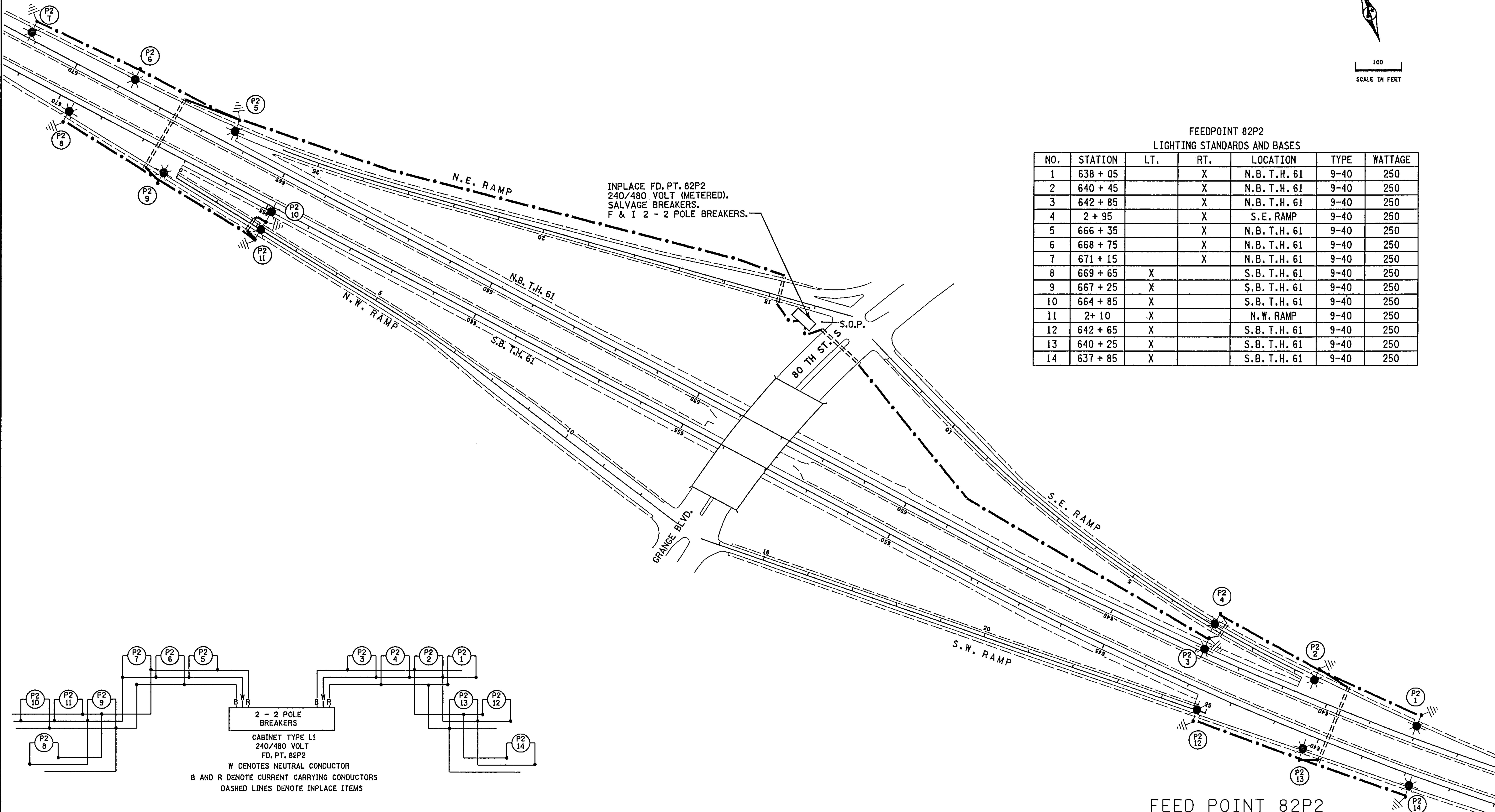


SEE LEGEND SHEET XX



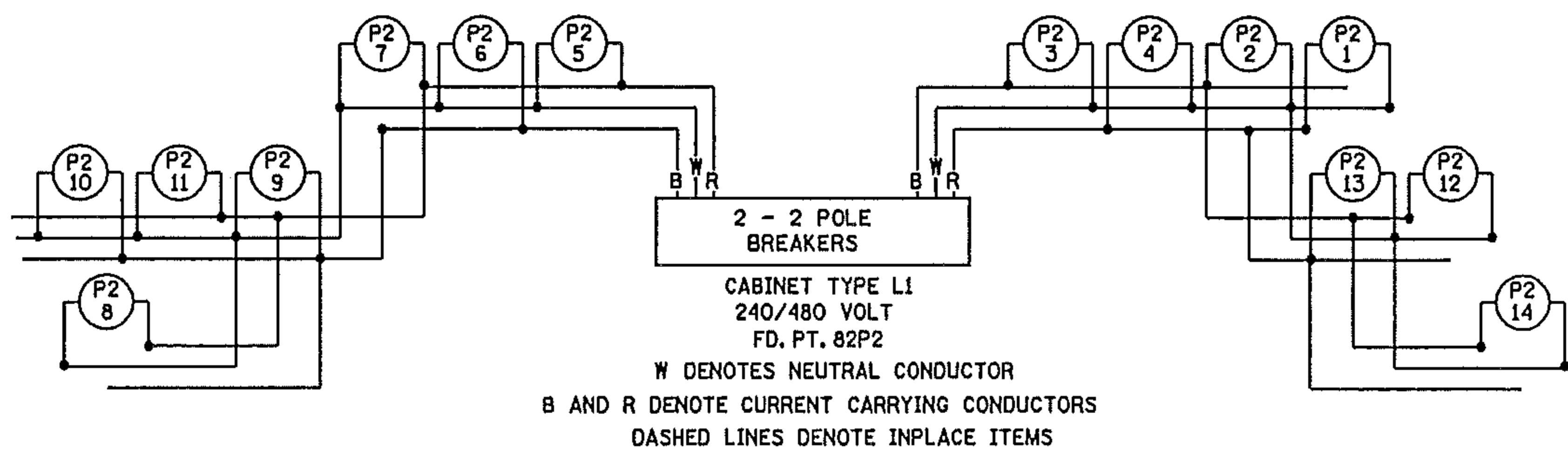
PLOTTED/REVISED: 12/1/2009

DISTRICT #: METRO
 I/PLOT NAME: 18205-111_1082P2
 PATH & FILENAME: IP_FWP.d07 42549V8205-111_1it.dgn



FEEDPOINT 82P2
 LIGHTING STANDARDS AND BASES

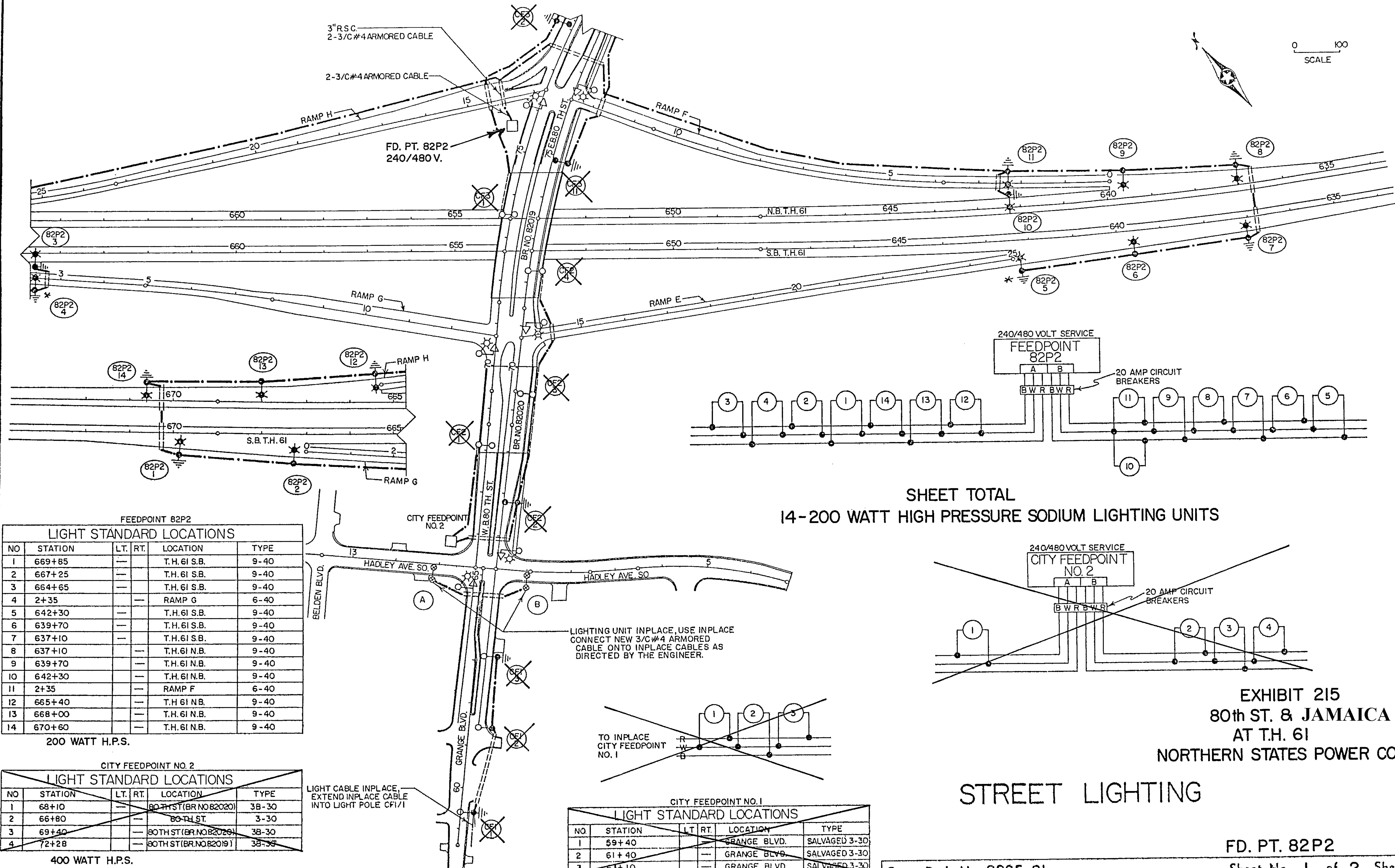
NO.	STATION	LT.	RT.	LOCATION	TYPE	WATTAGE
1	638 + 05		X	N.B. T.H. 61	9-40	250
2	640 + 45		X	N.B. T.H. 61	9-40	250
3	642 + 85		X	N.B. T.H. 61	9-40	250
4	2 + 95		X	S.E. RAMP	9-40	250
5	666 + 35		X	N.B. T.H. 61	9-40	250
6	668 + 75		X	N.B. T.H. 61	9-40	250
7	671 + 15		X	N.B. T.H. 61	9-40	250
8	669 + 65	X		S.B. T.H. 61	9-40	250
9	667 + 25	X		S.B. T.H. 61	9-40	250
10	664 + 85	X		S.B. T.H. 61	9-40	250
11	2 + 10	X		N.W. RAMP	9-40	250
12	642 + 65	X		S.B. T.H. 61	9-40	250
13	640 + 25	X		S.B. T.H. 61	9-40	250
14	637 + 85	X		S.B. T.H. 61	9-40	250



FEED POINT 82P2

LIGHTING PLAN

BY	DATE	REVISIONS	FEEDPOINT: 82P2	LOCATION: T.H. 61	LIGHTING PLAN
			METER ADDRESS: 7000 GRANGE BLVD., COTTAGE GROVE 55016		
DRAWN BY: PB	CKD BY: GB	DATE:	CERTIFIED BY: <i>Michael P. Subraby</i>	LIC. NO. 19863	DATE: 12/1/2009
					STATE PROJ. NO. 8205-111 (T.H. 61) SHEET NO. 412 OF 456 SHEETS



FEEDPOINT 82P2
LIGHT STANDARD LOCATIONS

NO	STATION	LT.	RT.	LOCATION	TYPE
1	669+85			T.H. 61 S.B.	9-40
2	667+25			T.H. 61 S.B.	9-40
3	664+65			T.H. 61 S.B.	9-40
4	2+35			RAMP G	6-40
5	642+30			T.H. 61 S.B.	9-40
6	639+70			T.H. 61 S.B.	9-40
7	637+10			T.H. 61 S.B.	9-40
8	637+10			T.H. 61 N.B.	9-40
9	639+70			T.H. 61 N.B.	9-40
10	642+30			T.H. 61 N.B.	9-40
11	2+35			RAMP F	6-40
12	665+40			T.H. 61 N.B.	9-40
13	668+00			T.H. 61 N.B.	9-40
14	670+60			T.H. 61 N.B.	9-40

200 WATT H.P.S.

CITY FEEDPOINT NO. 2
LIGHT STANDARD LOCATIONS

NO	STATION	LT.	RT.	LOCATION	TYPE
1	68+10			80TH ST (BR. NO. 82020)	3B-30
2	66+80			80TH ST	3-30
3	69+40			80TH ST (BR. NO. 82019)	3B-30
4	72+28			80TH ST (BR. NO. 82019)	3B-30

400 WATT H.P.S.

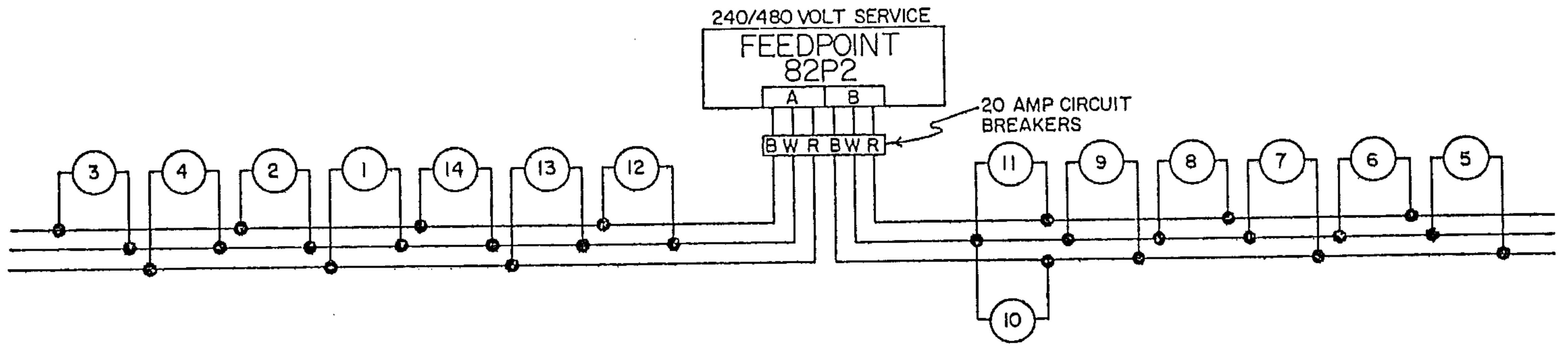
LIGHT CABLE INPLACE, EXTEND INPLACE CABLE INTO LIGHT POLE CP1/1

LIGHTING UNIT INPLACE, USE INPLACE CABLE ONTO INPLACE CABLES AS DIRECTED BY THE ENGINEER.

CITY FEEDPOINT NO. 1
LIGHT STANDARD LOCATIONS

NO	STATION	LT.	RT.	LOCATION	TYPE
1	59+40			GRANGE BLVD.	SALVAGED 3-30
2	61+40			GRANGE BLVD.	SALVAGED 3-30
3	63+10			GRANGE BLVD.	SALVAGED 3-30

400 WATT H.P.S.



SHEET TOTAL
14-200 WATT HIGH PRESSURE SODIUM LIGHTING UNITS

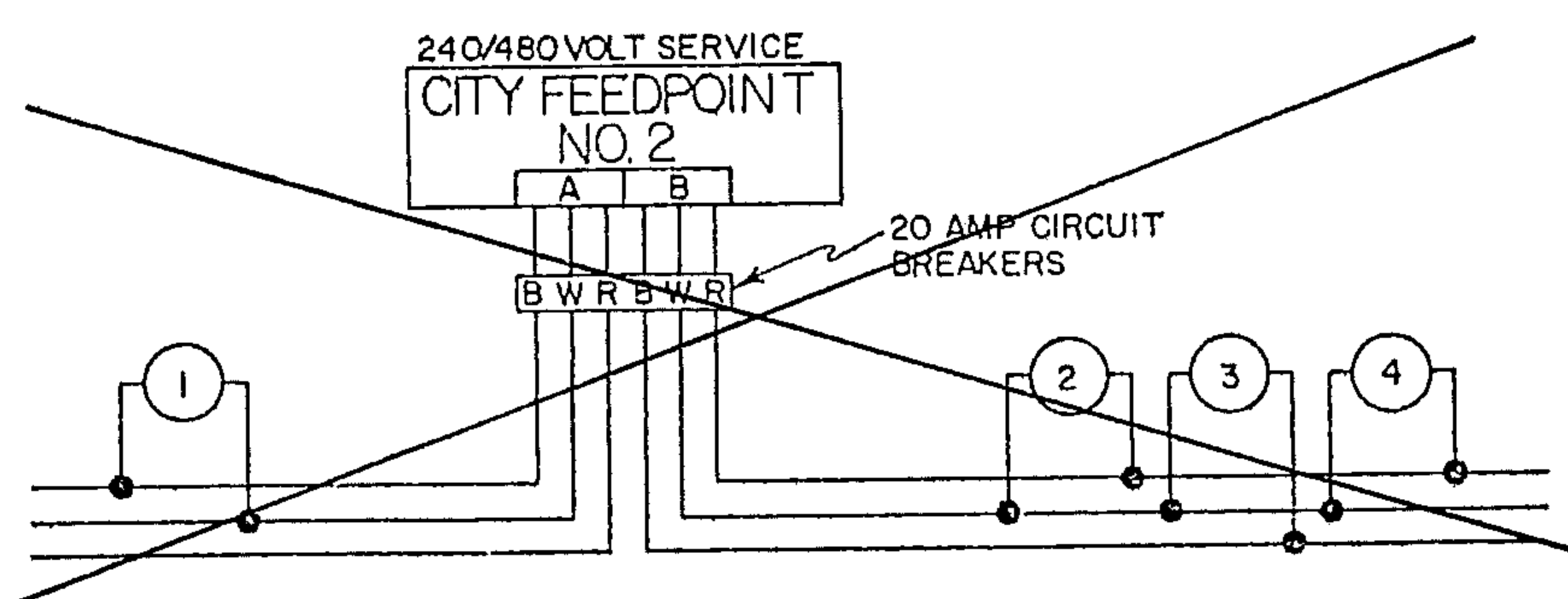


EXHIBIT 215
80th ST. & JAMAICA
AT T.H. 61
NORTHERN STATES POWER CO.

STREET LIGHTING