

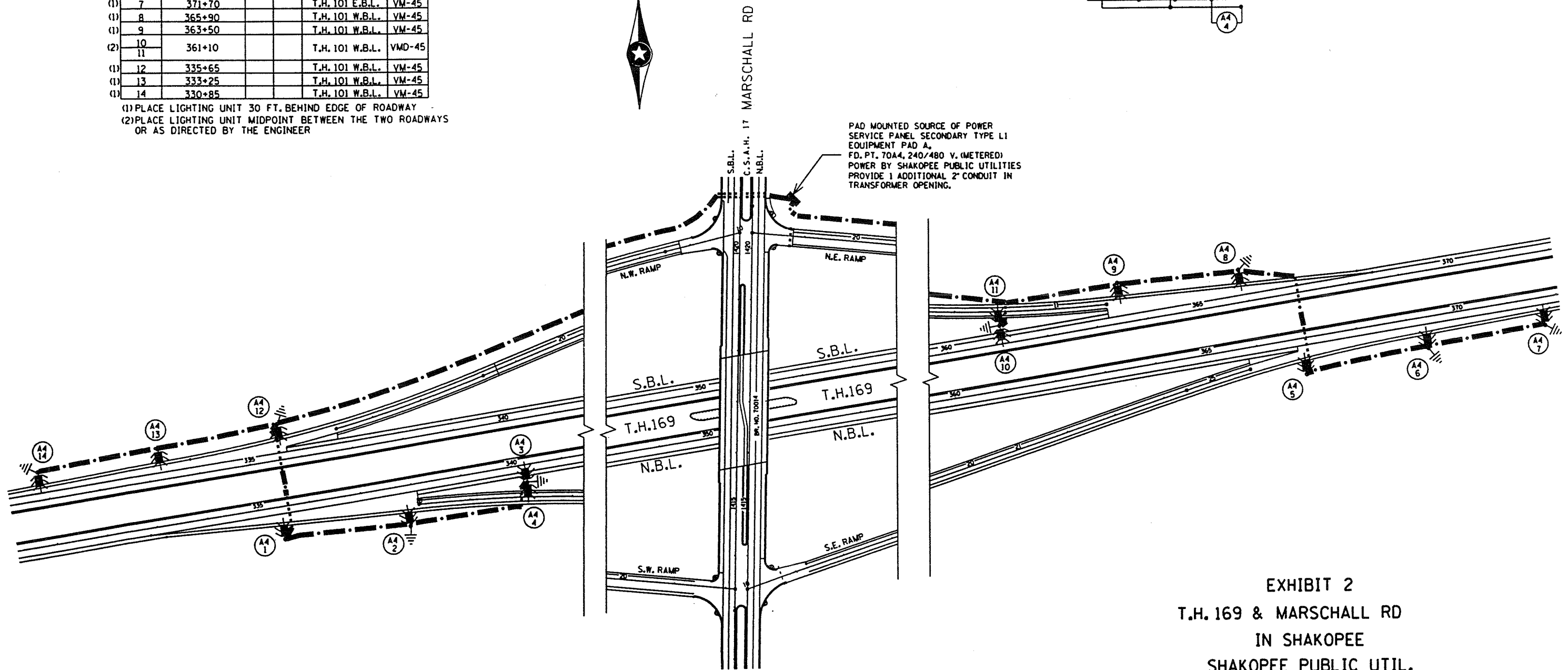
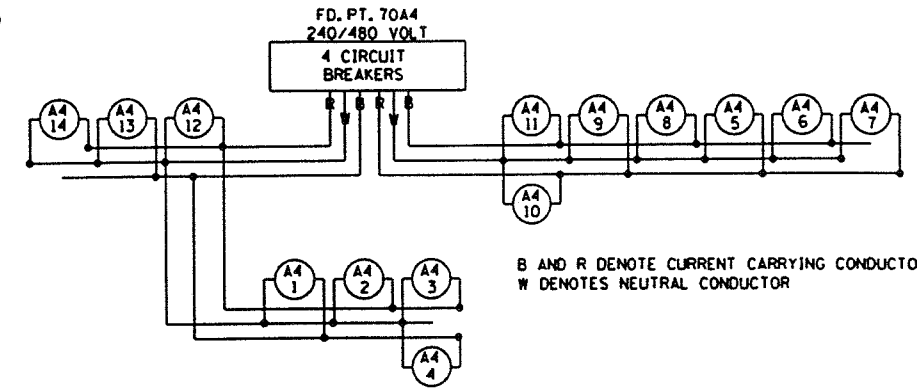
SHEET TOTAL

14 - 200 WATT HIGH PRESSURE SODIUM LIGHTING UNITS

FD. PT. 70A4

LIGHTING STANDARDS AND BASES					
NO.	STATION	LT.	RT.	LOCATION	TYPE
(1)	1	335+45		T.H. 101 E.B.L.	VM-45
(1)	2	337+85		T.H. 101 E.B.L.	VM-45
(2)	3	340+25		T.H. 101 E.B.L.	VMD-45
4					
(1)	5	366+90		T.H. 101 E.B.L.	VM-45
(1)	6	369+30		T.H. 101 E.B.L.	VM-45
(1)	7	371+70		T.H. 101 E.B.L.	VM-45
(1)	8	365+90		T.H. 101 W.B.L.	VM-45
(1)	9	363+50		T.H. 101 W.B.L.	VM-45
(2)	10	361+10		T.H. 101 W.B.L.	VMD-45
11					
(1)	12	335+65		T.H. 101 W.B.L.	VM-45
(1)	13	333+25		T.H. 101 W.B.L.	VM-45
(1)	14	330+85		T.H. 101 W.B.L.	VM-45

- (1) PLACE LIGHTING UNIT 30 FT. BEHIND EDGE OF ROADWAY
- (2) PLACE LIGHTING UNIT MIDPOINT BETWEEN THE TWO ROADWAYS OR AS DIRECTED BY THE ENGINEER



PAD MOUNTED SOURCE OF POWER
 SERVICE PANEL SECONDARY TYPE L1
 EQUIPMENT PAD A,
 FD. PT. 70A4, 240/480 V. (METERED)
 POWER BY SHAKOPEE PUBLIC UTILITIES
 PROVIDE 1 ADDITIONAL 2" CONDUIT IN
 TRANSFORMER OPENING.

EXHIBIT 2
 T.H. 169 & MARSCHALL RD
 IN SHAKOPEE
 SHAKOPEE PUBLIC UTIL.
 METERED

FD. PT. 70A4