

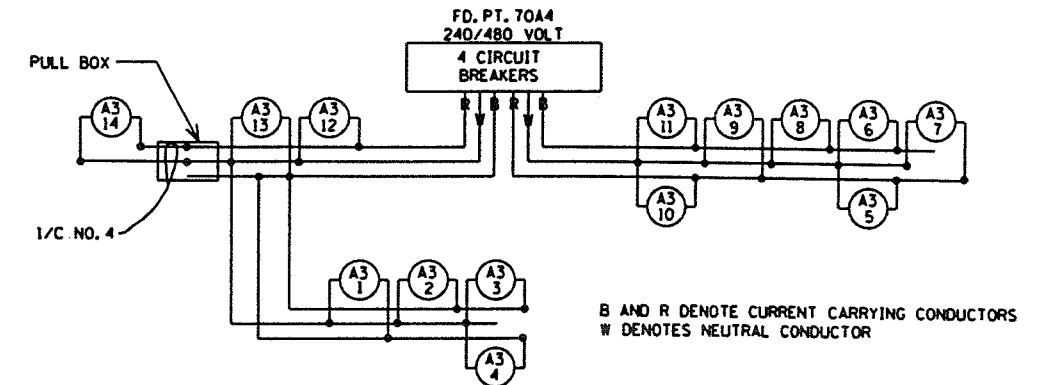
SHEET TOTAL

14 - 200 WATT HIGH PRESSURE SODIUM LIGHTING UNITS

FD. PT. 70A3

LIGHTING STANDARDS AND BASES					
NO.	STATION	LT.	RT.	LOCATION	TYPE
(1)	1	429+45	-	T.H. 101 E.B.L.	VM-45
(1)	2	431+85	-	T.H. 101 E.B.L.	VM-45
(2)	3	434+25	-	T.H. 101 E.B.L.	VMD-45
(1)	4	458+60	-	T.H. 101 E.B.L.	VM-45
(1)	5	461+00	-	T.H. 101 E.B.L.	VM-45
(1)	6	463+40	-	T.H. 101 E.B.L.	VM-45
(1)	7	459+90	-	T.H. 101 W.B.L.	VM-45
(1)	8	457+50	-	T.H. 101 W.B.L.	VM-45
(2)	9	455+10	-	T.H. 101 W.B.L.	VMD-45
(1)	10	431+00	-	T.H. 101 W.B.L.	VM-45
(1)	11	428+60	-	T.H. 101 W.B.L.	VM-45
(3)	12	426+20	-	T.H. 101 W.B.L.	VMB-40

- (1) PLACE LIGHTING UNIT 30 FT. BEHIND EDGE OF ROADWAY
- (2) PLACE LIGHTING UNIT MIDPOINT BETWEEN THE TWO ROADWAYS OR AS DIRECTED BY THE ENGINEER
- (3) 6 BOLT ANCHORAGE INPLACE



PAD MOUNTED SOURCE OF POWER
SERVICE PANEL SECONDARY TYPE LI
EQUIPMENT PAD A,
FD. PT. 70A5, 240/480 V. (METERED)
POWER BY SHAKOPEE PUBLIC UTILITIES
PROVIDE 1 ADDITIONAL 2" CONDUIT IN
TRANSFORMER OPENING.

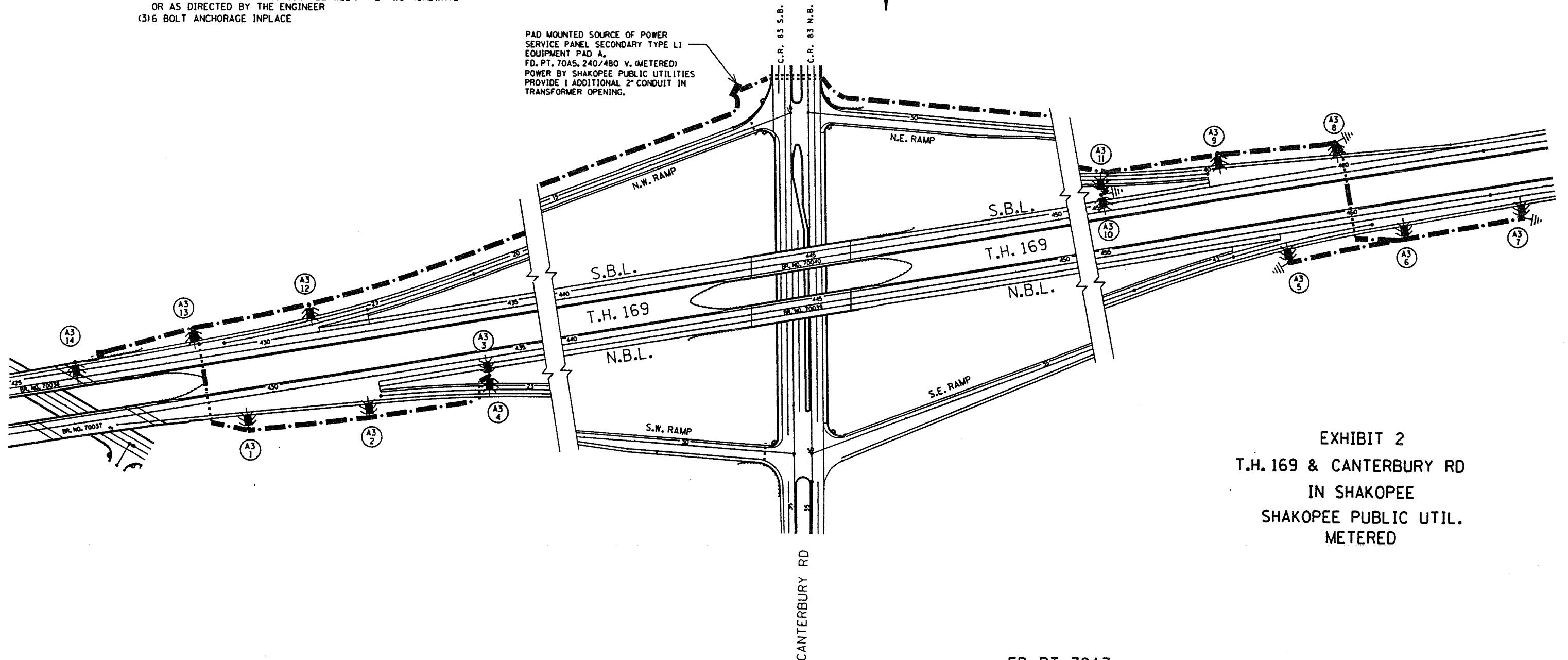


EXHIBIT 2
T.H. 169 & CANTERBURY RD
IN SHAKOPEE
SHAKOPEE PUBLIC UTIL.
METERED

FD. PT. 70A3