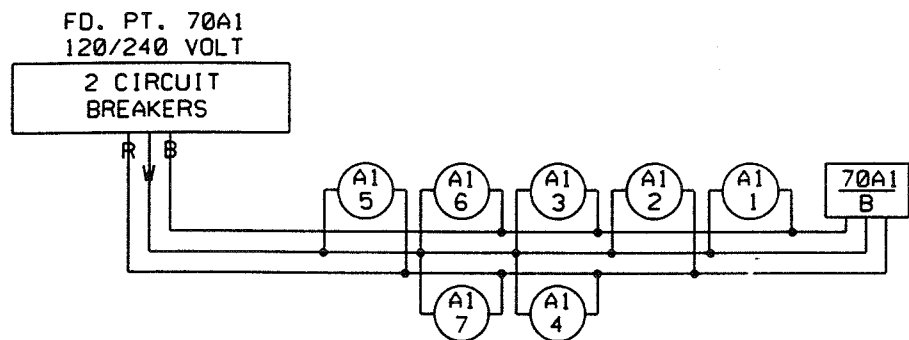
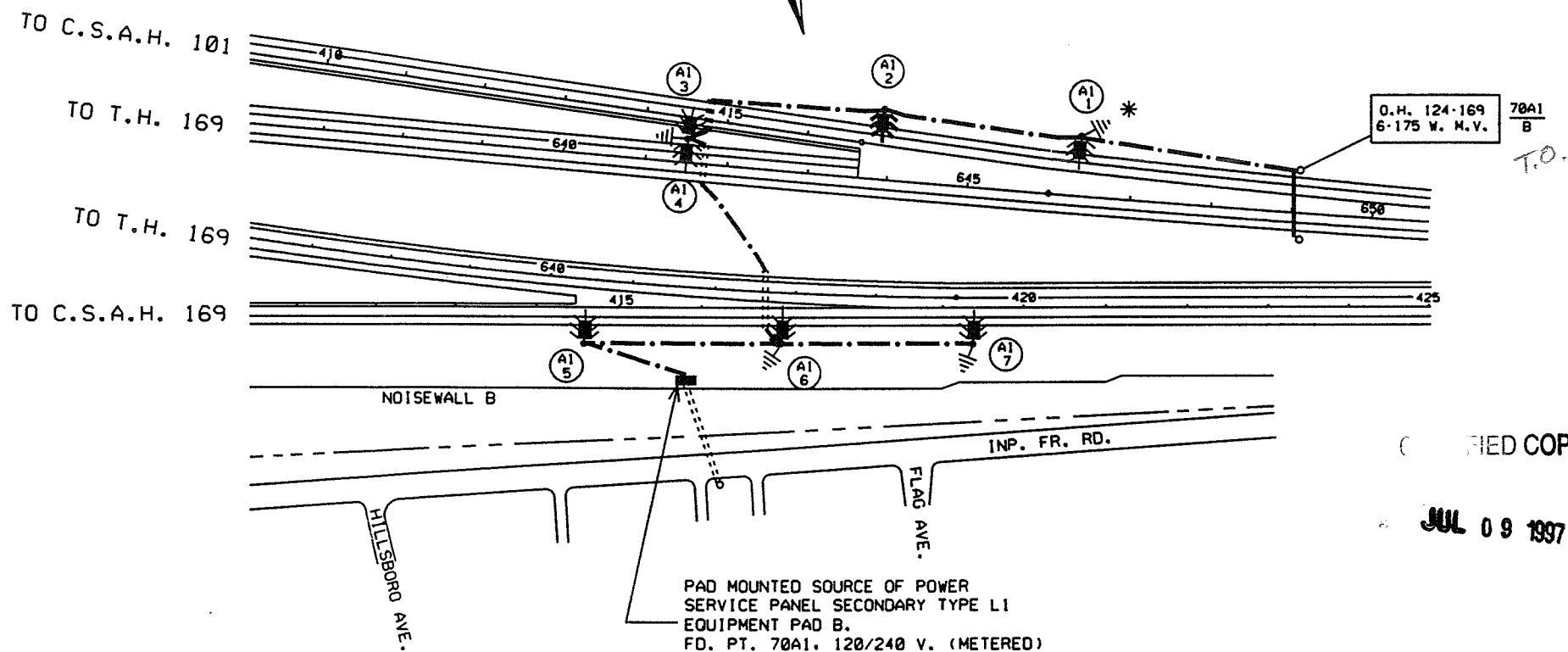


TOTAL

7 - 200 WATT HIGH PRESSURE SODIUM LIGHTING UNITS  
 6 - 175 WATT MERCURY VAPOR SIGN LIGHTS



B AND R DENOTE CURRENT CARRYING CONDUCTORS  
 W DENOTES NEUTRAL CONDUCTOR



FIELD COPY

JUL 09 1997

FD. PT. 70A1

LIGHTING STANDARDS AND BASES					
NO.	STATION	LT.	RT.	LOCATION	TYPE
(1)	1	646.30	-	L1WB	VM-45
(1)	2	643.90	-	L1WB	VM-45
(2)	3	641.50	-	L1WB	VMD-45
	4				
(1)	5	414.60	-	LOREBRAMP	VM-45
(1)	6	417.00	-	LOREBRAMP	VM-45
(1)	7	419.40	-	LOREBRAMP	VM-45

PAD MOUNTED SOURCE OF POWER  
 SERVICE PANEL SECONDARY TYPE L1  
 EQUIPMENT PAD B.  
 FD. PT. 70A1, 120/240 V. (METERED)  
 F. & I. 2" R.S.C. AND 3-1/2" NO. 2  
 TO INPLACE MINNESOTA VALLEY  
 ELECTRIC POWER POLE.

9143 State Highway 101

EXHIBIT 6  
 T.H. 13 RAMPS TO T.H. 169  
 IN SAVAGE  
 MN VALLEY ELEC. COOP  
 OF JORDAN  
 METERED

- (1) PLACE LIGHTING UNIT 30 FT. BEHIND EDGE OF ROADWAY
- (2) PLACE LIGHTING UNIT MIDPOINT BETWEEN THE TWO ROADWAYS OR AS DIRECTED BY THE ENGINEER

FD. PT. 70A1