

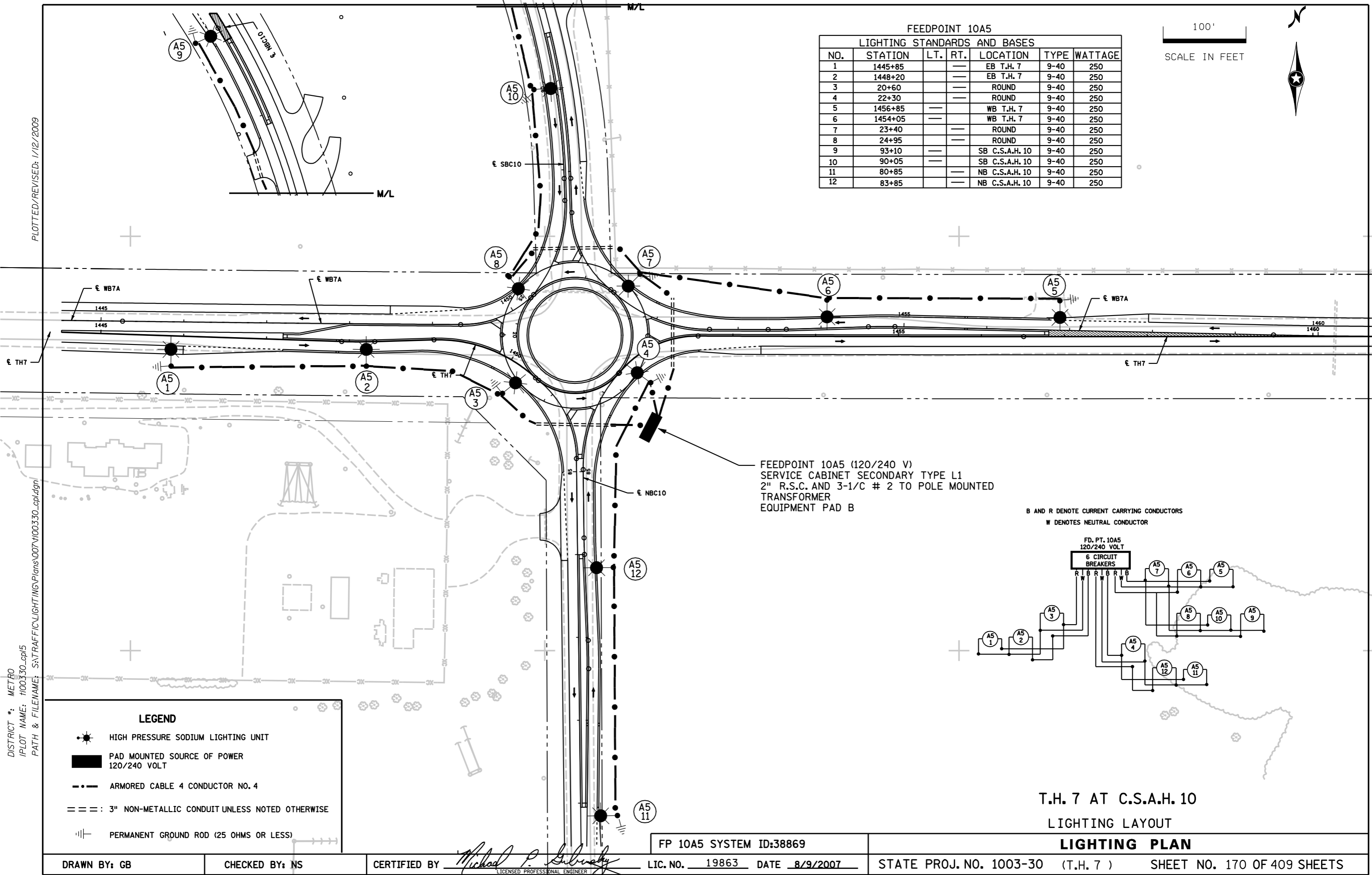
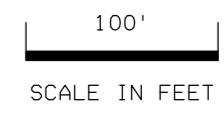
PLOTTED/REVISED: 1/12/2009

DISTRICT #: METRO
 IPLOT NAME: 100330_cpl5
 PATH & FILENAME: S:\TRAFFIC\LIGHT\ING\Plans\007\100330_cpl.dgn

FEEDPOINT 10A5

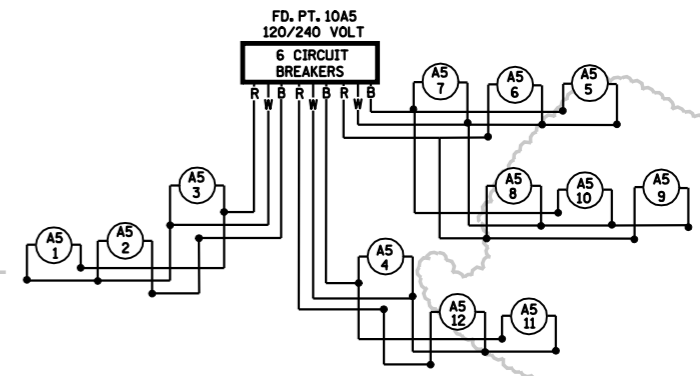
LIGHTING STANDARDS AND BASES

NO.	STATION	LT.	RT.	LOCATION	TYPE	WATTAGE
1	1445+85		---	EB T.H. 7	9-40	250
2	1448+20		---	EB T.H. 7	9-40	250
3	20+60		---	ROUND	9-40	250
4	22+30		---	ROUND	9-40	250
5	1456+85		---	WB T.H. 7	9-40	250
6	1454+05		---	WB T.H. 7	9-40	250
7	23+40		---	ROUND	9-40	250
8	24+95		---	ROUND	9-40	250
9	93+10		---	SB C.S.A.H. 10	9-40	250
10	90+05		---	SB C.S.A.H. 10	9-40	250
11	80+85		---	NB C.S.A.H. 10	9-40	250
12	83+85		---	NB C.S.A.H. 10	9-40	250



FEEDPOINT 10A5 (120/240 V)
 SERVICE CABINET SECONDARY TYPE L1
 2" R.S.C. AND 3-1/2" # 2 TO POLE MOUNTED
 TRANSFORMER
 EQUIPMENT PAD B

B AND R DENOTE CURRENT CARRYING CONDUCTORS
 W DENOTES NEUTRAL CONDUCTOR



LEGEND

- HIGH PRESSURE SODIUM LIGHTING UNIT
- PAD MOUNTED SOURCE OF POWER 120/240 VOLT
- ARMORED CABLE 4 CONDUCTOR NO. 4
- 3" NON-METALLIC CONDUIT UNLESS NOTED OTHERWISE
- PERMANENT GROUND ROD (25 OHMS OR LESS)

T.H. 7 AT C.S.A.H. 10
 LIGHTING LAYOUT

FP 10A5 SYSTEM ID:38869

LIGHTING PLAN

DRAWN BY: GB

CHECKED BY: NS

CERTIFIED BY *Michael P. Subusky*
 LICENSED PROFESSIONAL ENGINEER

LIC. NO. 19863 DATE 8/9/2007

STATE PROJ. NO. 1003-30 (T.H. 7)

SHEET NO. 170 OF 409 SHEETS