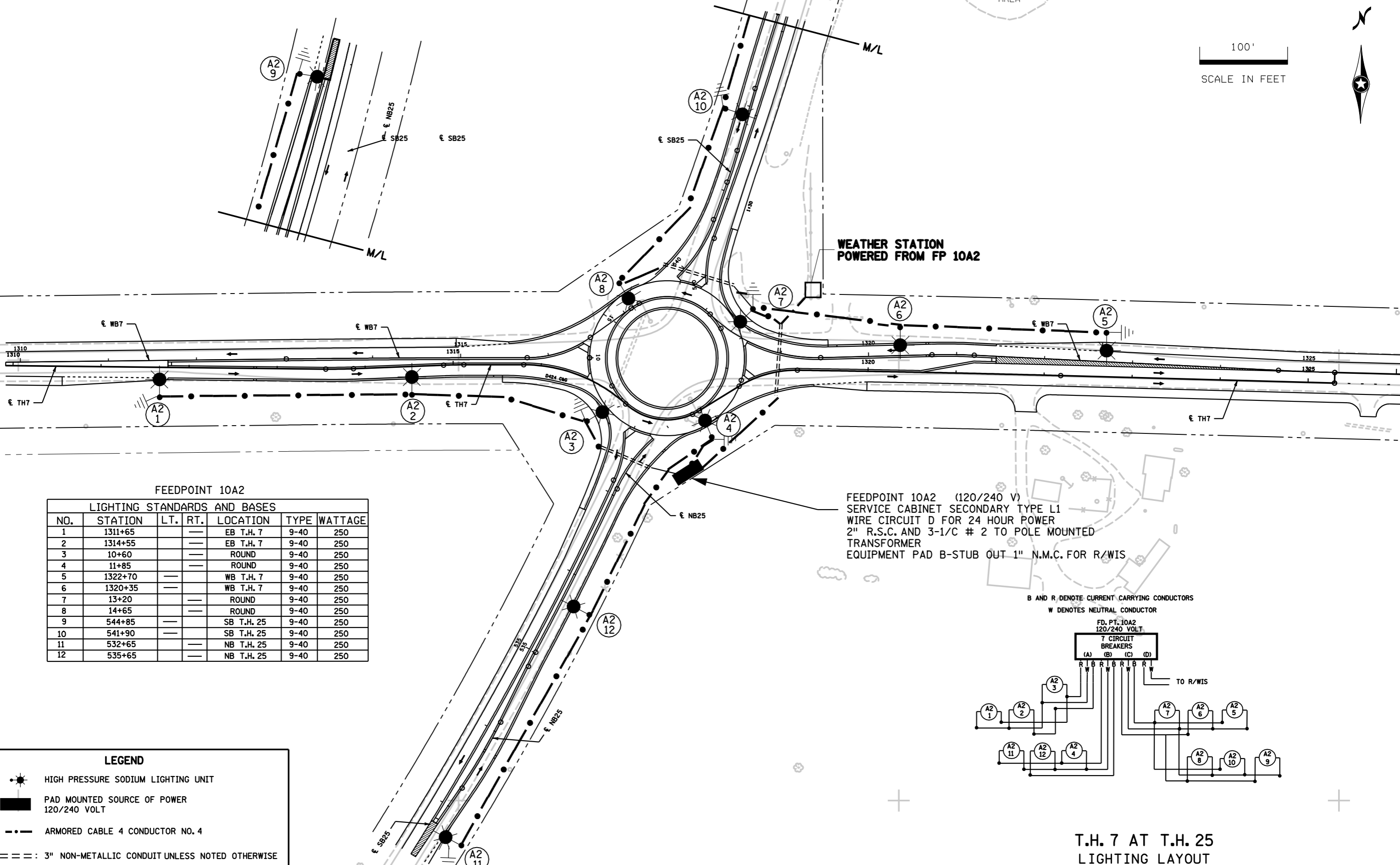


PLOTTED/REVISED: 1/12/2009

DISTRICT #: METRO  
PLOT NAME: 100330\_cpl4  
PATH & FILENAME: S:\TRAFFIC\LIGHTING\Plans\007\100330\_cpl.dgn

100'  
SCALE IN FEET

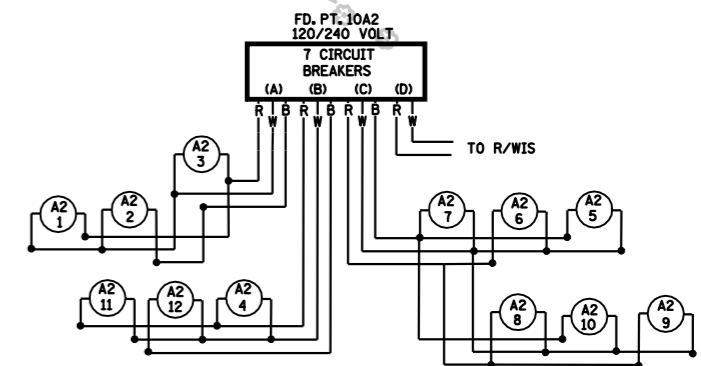


FEEDPOINT 10A2

LIGHTING STANDARDS AND BASES						
NO.	STATION	LT.	RT.	LOCATION	TYPE	WATTAGE
1	1311+65			EB T.H. 7	9-40	250
2	1314+55			EB T.H. 7	9-40	250
3	10+60			ROUND	9-40	250
4	11+85			ROUND	9-40	250
5	1322+70			WB T.H. 7	9-40	250
6	1320+35			WB T.H. 7	9-40	250
7	13+20			ROUND	9-40	250
8	14+65			ROUND	9-40	250
9	544+85			SB T.H. 25	9-40	250
10	541+90			SB T.H. 25	9-40	250
11	532+65			NB T.H. 25	9-40	250
12	535+65			NB T.H. 25	9-40	250

FEEDPOINT 10A2 (120/240 V)  
SERVICE CABINET SECONDARY TYPE L1  
WIRE CIRCUIT D FOR 24 HOUR POWER  
2" R.S.C. AND 3-1/2 # 2 TO POLE MOUNTED  
TRANSFORMER  
EQUIPMENT PAD B-STUB OUT 1" N.M.C. FOR R/WIS

B AND R DENOTE CURRENT CARRYING CONDUCTORS  
W DENOTES NEUTRAL CONDUCTOR



T.H. 7 AT T.H. 25  
LIGHTING LAYOUT

LIGHTING PLAN

**LEGEND**

- HIGH PRESSURE SODIUM LIGHTING UNIT
- PAD MOUNTED SOURCE OF POWER 120/240 VOLT
- ARMORED CABLE 4 CONDUCTOR NO. 4
- 3" NON-METALLIC CONDUIT UNLESS NOTED OTHERWISE
- PERMANENT GROUND ROD (25 OHMS OR LESS)

FP 10A2 SYSTEM ID: 6463  
LIC. NO. 19863 DATE 8/9/2007

CERTIFIED BY *Michael P. Sulimsky*  
LICENSED PROFESSIONAL ENGINEER