

PLOTTED/REVISED: 30-JAN-2020

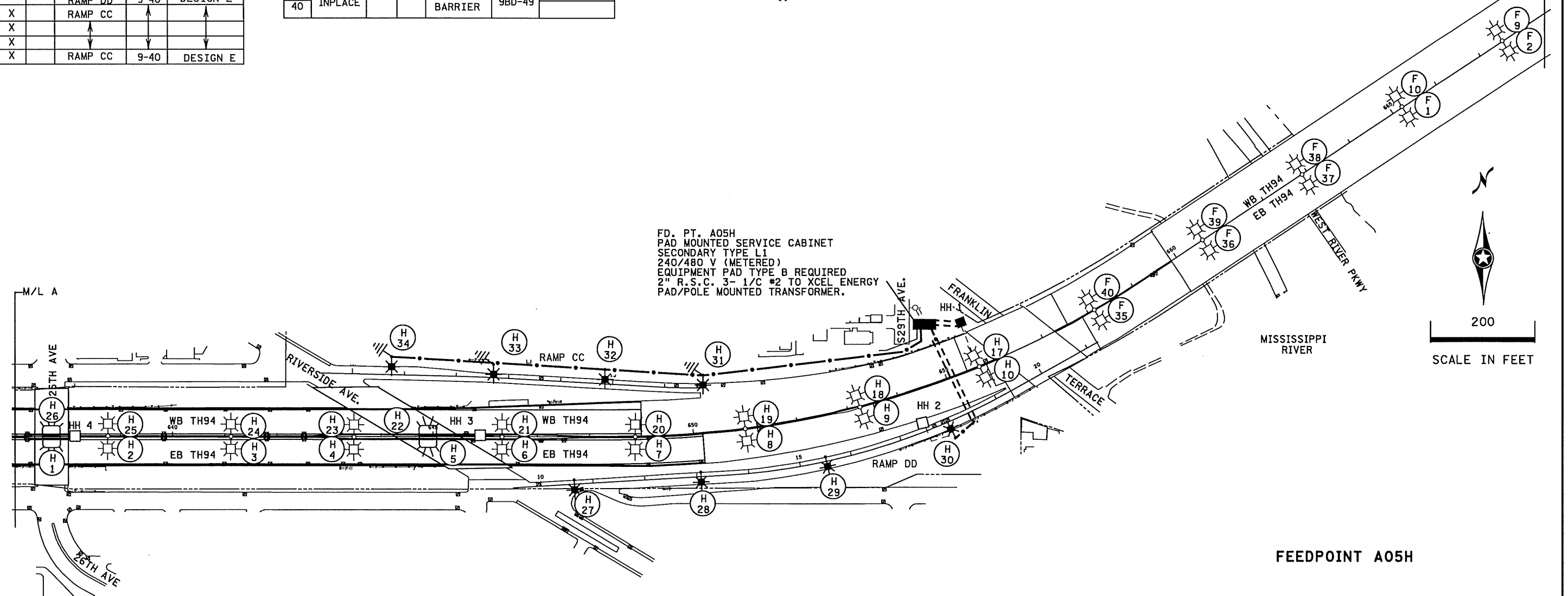
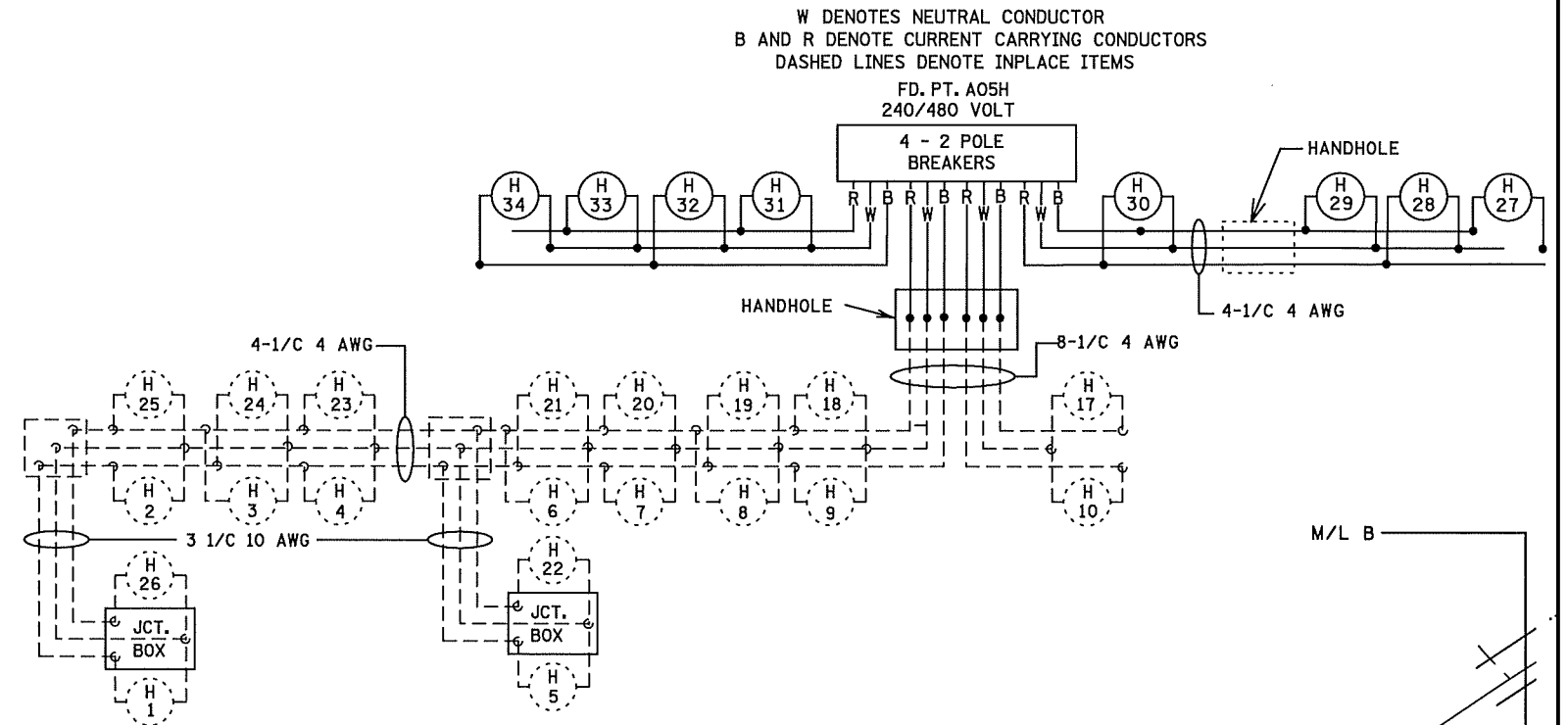
DISTRICT #: Metro
 IPLOT NAME: 12781-468_lit_lo
 PATH & FILENAME: Projects\DM_RCS\094\2781-468\Traffic\Lighting\2781-468_lit_lo.dgn

FEEDPOINT A05H					
LIGHTING UNIT LOCATION AND TYPE					
NO.	STATION	LT.	RT.	LOCATION	FOUNDATION
1	637+67	X	X	BRIDGE 9420 PIER LEG	L
2				MEDIAN BARRIER	9BD-49
25				MEDIAN BARRIER	9BD-49
3				MEDIAN BARRIER	9BD-49
24				MEDIAN BARRIER	9BD-49
4				MEDIAN BARRIER	9BD-49
23				MEDIAN BARRIER	9BD-49
5			X	BRIDGE 9421 PIER LEG	L
22		X		BRIDGE 9421 PIER LEG	L
6				MEDIAN BARRIER	9BD-49
21				MEDIAN BARRIER	9BD-49
7					
20					
8					
19					
9					
18					
10				MEDIAN BARRIER	9BD-49
17				MEDIAN BARRIER	9BD-49
27	10+65	X		RAMP DD	6B-40 INPLACE
28	13+09	X		RAMP DD	6B-40 INPLACE
29	15+52	X		RAMP DD	6B-40 INPLACE
30	17+98	X		RAMP DD	9-40 DESIGN E
31	16+66	X		RAMP CC	
32	14+84	X		RAMP CC	
33	12+70	X		RAMP CC	
34	10+75	X		RAMP CC	9-40 DESIGN E

LEGEND

- INSTALL SALVAGED FD. PT. CABINET
- REMOVE/REPLACE HANDHOLE
- DIRECT BURIED LIGHTING CABLE 4/C 4 AWG
- PERMANENT GROUND ROD (25 OHMS OR LESS)
- 3" PVC (UNLESS OTHERWISE NOTED)
- X LIGHTING UNIT
- XX LIGHTING UNIT IDENTIFIER
- X INPLACE LIGHTING UNIT
- INPLACE HANDHOLE
- INPLACE UNDERPASS LIGHT

FEEDPOINT A05F					
LIGHTING UNIT LOCATION AND TYPE					
NO.	STATION	LT.	RT.	LOCATION	FOUNDATION
1				MEDIAN BARRIER	9BD-49
10				MEDIAN BARRIER	9BD-49
2				MEDIAN BARRIER	9BD-49
9				MEDIAN BARRIER	9BD-49
37				MEDIAN BARRIER	9BD-49
38				MEDIAN BARRIER	9BD-49
36				MEDIAN BARRIER	9BD-49
39				MEDIAN BARRIER	9BD-49
35				MEDIAN BARRIER	9BD-49
40				MEDIAN BARRIER	9BD-49



FD. PT. A05H
 PAD MOUNTED SERVICE CABINET
 SECONDARY TYPE L1
 240/480 V (METERED)
 EQUIPMENT PAD TYPE B REQUIRED
 2" R.S.C. 3- 1/C #2 TO XCEL ENERGY
 PAD/POLE MOUNTED TRANSFORMER.

BY	DATE	REVISIONS

FEEDPOINT: A05H LOCATION: DARTMOUTH BRIDGE
 METER ADDRESS: 2910 8TH ST., S MINNEAPOLIS 55455

CERTIFIED BY *Michael P. Lubensky* LIC. NO. 19863 DATE: 30-JAN-2020
LICENSED PROFESSIONAL ENGINEER

LIGHTING PLAN

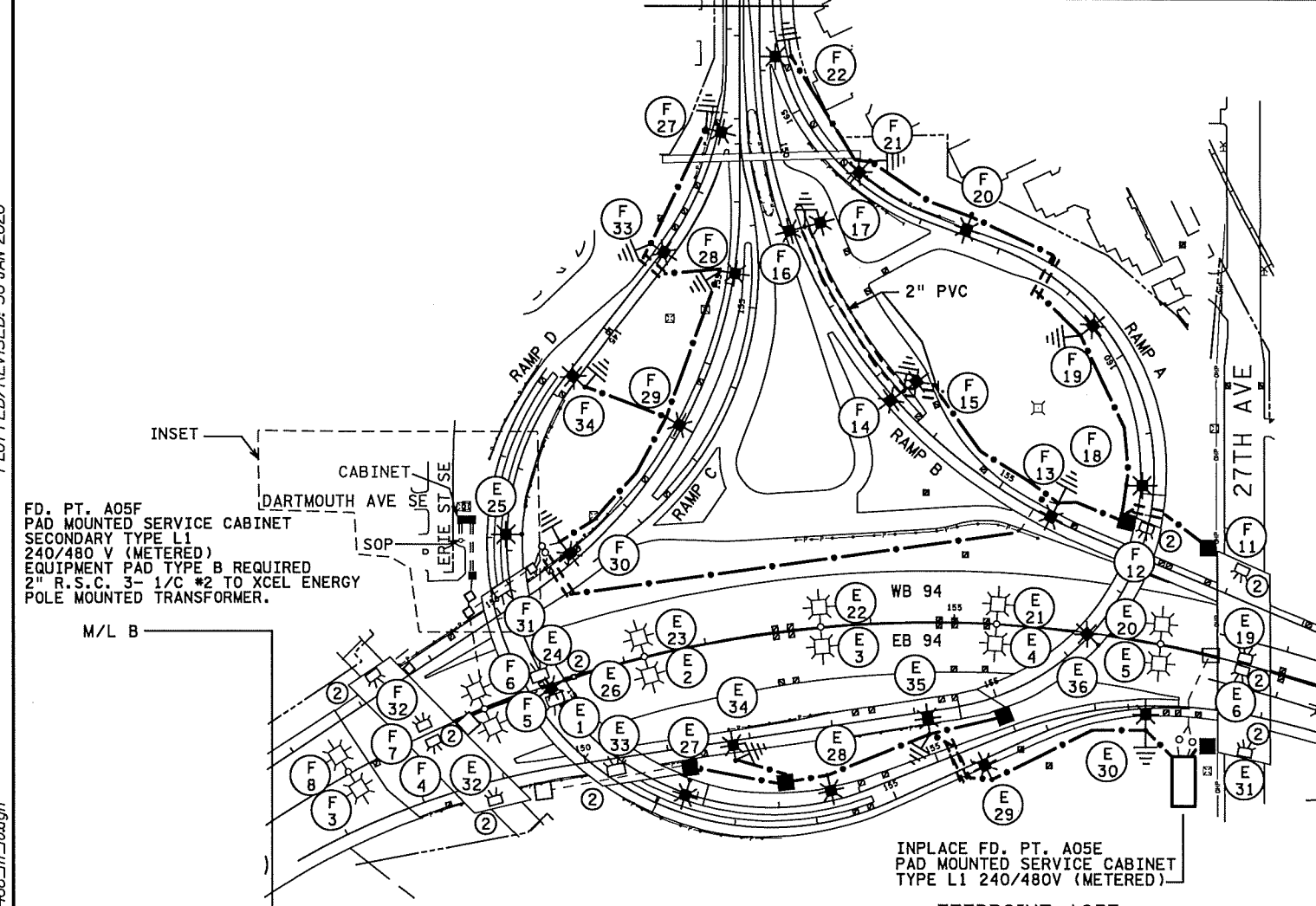
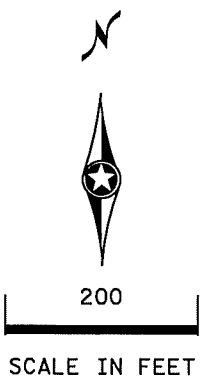
STATE PROJ. NO. 2781-468 (T.H. 94) SHEET NO. SL10 OF SL12 SHEETS

PLOTTED/REVISED: 30-JAN-2020

DISTRICT: Metro
 IPLOT NAME: 12781-468_111_10
 PATH & FILENAME: Projects\DM ROS\09A2781\Lighting\2781-468_111_10.dgn

LEGEND

- PAD MOUNTED FD. PT. CABINET 240/480 VOLT HANDHOLE
- LIGHTING UNIT
- LIGHTING UNIT IDENTIFIER
- DIRECT BURIED LIGHTING CABLE 4/C 4 AWG
- 3" PVC DIRECTIONAL BORED (UNLESS OTHERWISE NOTED)
- PERMANENT GROUND ROD (25 OHMS OR LESS)
- INPLACE DIRECT BURIED LIGHTING CABLE 4/C 4 AWG
- INPLACE CONDUIT.
- INPLACE FD. PT. CABINET
- INPLACE LIGHTING UNIT
- INPLACE LIGHTING UNIT
- INPLACE UNDERPASS LIGHTS
- INPLACE HANDHOLE



FD. PT. A05F
 PAD MOUNTED SERVICE CABINET
 SECONDARY TYPE L1
 240/480 V (METERED)
 EQUIPMENT PAD TYPE B REQUIRED
 2" R.S.C. 3- 1/C #2 TO XCEL ENERGY
 POLE MOUNTED TRANSFORMER.

SPECIFIC NOTES:
 ① INSTALL SALVAGED CABINET A5F ON NEW EQUIPMENT, PAD
 ② F&I CONDUIT & J BOXES TO INPLACE UNDERPASS LIGHT. RECONNECT WIRES.

INPLACE FD. PT. A05E
 PAD MOUNTED SERVICE CABINET
 TYPE L1 240/480V (METERED)

FEEDPOINT A05F LIGHTING UNITS LOCATION TYPES

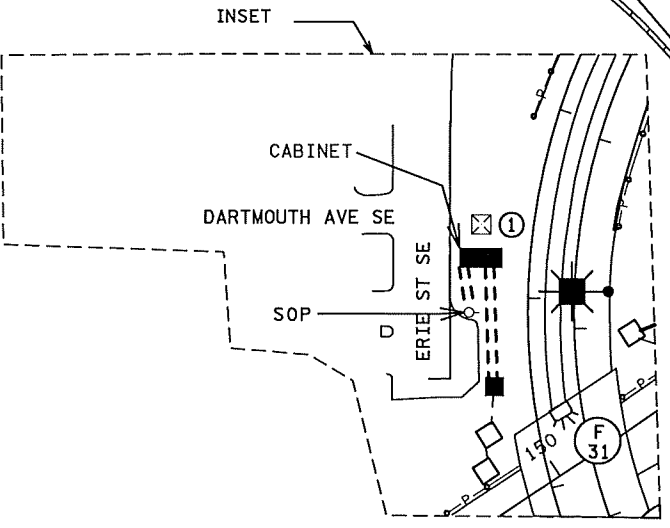
NO.	STA.	LT.	RT.	LOCATION	TYPE	FOUNDATION
3				MEDIAN		
8	INPLACE			BARRIER		
4	INPLACE				L	
7	INPLACE				L	
5	INPLACE			MEDIAN		
6				BARRIER		
11	INPLACE				L	
12	INPLACE				L	
13	155+66				9-40	E
14	150+98			CONCRETE	6D-40	E
15				MEADIAN		
16	153+34			CONCRETE	6D-40	
17				MEADIAN		
18	158+35	x		RAMP A	9-40	
19	160+51	x		RAMP A	9-40	
20	162+44		x	RAMP A	9-40	
21	163+96		x	RAMP A	9-40	
22	165+71		x	RAMP A	9-40	
27	142+24	x	x	RAMP D	9-40	
28	155+13	x		RAMP C	9-40	
29	153+17	x		RAMP C	9-40	
30	151+12	x		RAMP C	9-40	E
31	INPLACE				L	
32	INPLACE				L	
33	146+13	x		RAMP D	9-40	E
34	144+30	x		RAMP D	9-40	E

FEEDPOINT A05E LIGHTING UNIT LOCATION AND TYPE

NO.	STATION	LT.	RT.	LOCATION	TYPE	FOUNDATION
25	147+77		x	BARRIER	6B-40	EXISTING
26	149+77			BARRIER	6B-40	EXISTING
27	151+86	x		BARRIER	6B-40	EXISTING
28	153+66	x		RAMP D	9-40	E
29	155+52		x	RAMP D	9-40	E
30	157+60		x	RAMP D	9-40	E
31	INPLACE				L	
32	INPLACE				L	
33	INPLACE				L	
34	151+79	x		RAMP A	9-40	E
35	154+14	x		RAMP A	9-40	E
36	156+35		x	RAMP A	6B-40	EXISTING

FEEDPOINT A05E LIGHTING UNIT LOCATION AND TYPE

NO.	STATION	LT.	RT.	LOCATION	TYPE	FOUNDATION
1	INPLACE				L	
24					L	
23				MEDIAN	6BD-49	
2				BARRIER		
22					6BD-49	
3					6BD-49	
21					6BD-49	
4					6BD-49	
20				MEDIAN	6BD-49	
5				BARRIER		
19	INPLACE				L	
6	INPLACE				L	
18				MEDIAN	6BD-49	
7				BARRIER		
17					6BD-49	
8					6BD-49	
16					6BD-49	
9					6BD-49	
15					6BD-49	
10					6BD-49	
14					6BD-49	
11					6BD-49	
13	INPLACE			MEDIAN	6BD-49	
12	INPLACE			BARRIER		



FEEDPOINT: A05E LOCATION: 27TH AVE. SE
METER ADDRESS: 49 27TH AVE. SE, S MINNEAPOLIS 55414
FEEDPOINT: A05E LOCATION: HURON BLVD.
METER ADDRESS: 910 ERIE ST. SE, MINNEAPOLIS 55414

FEEDPOINT A05E, A05F

LIGHTING PLAN

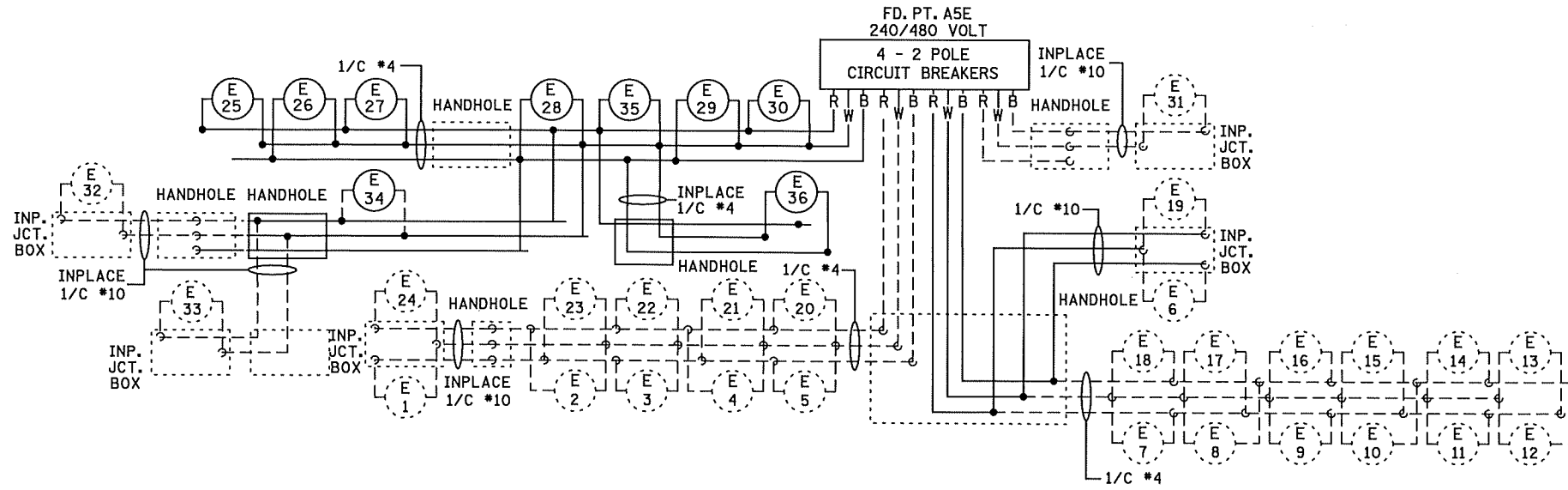
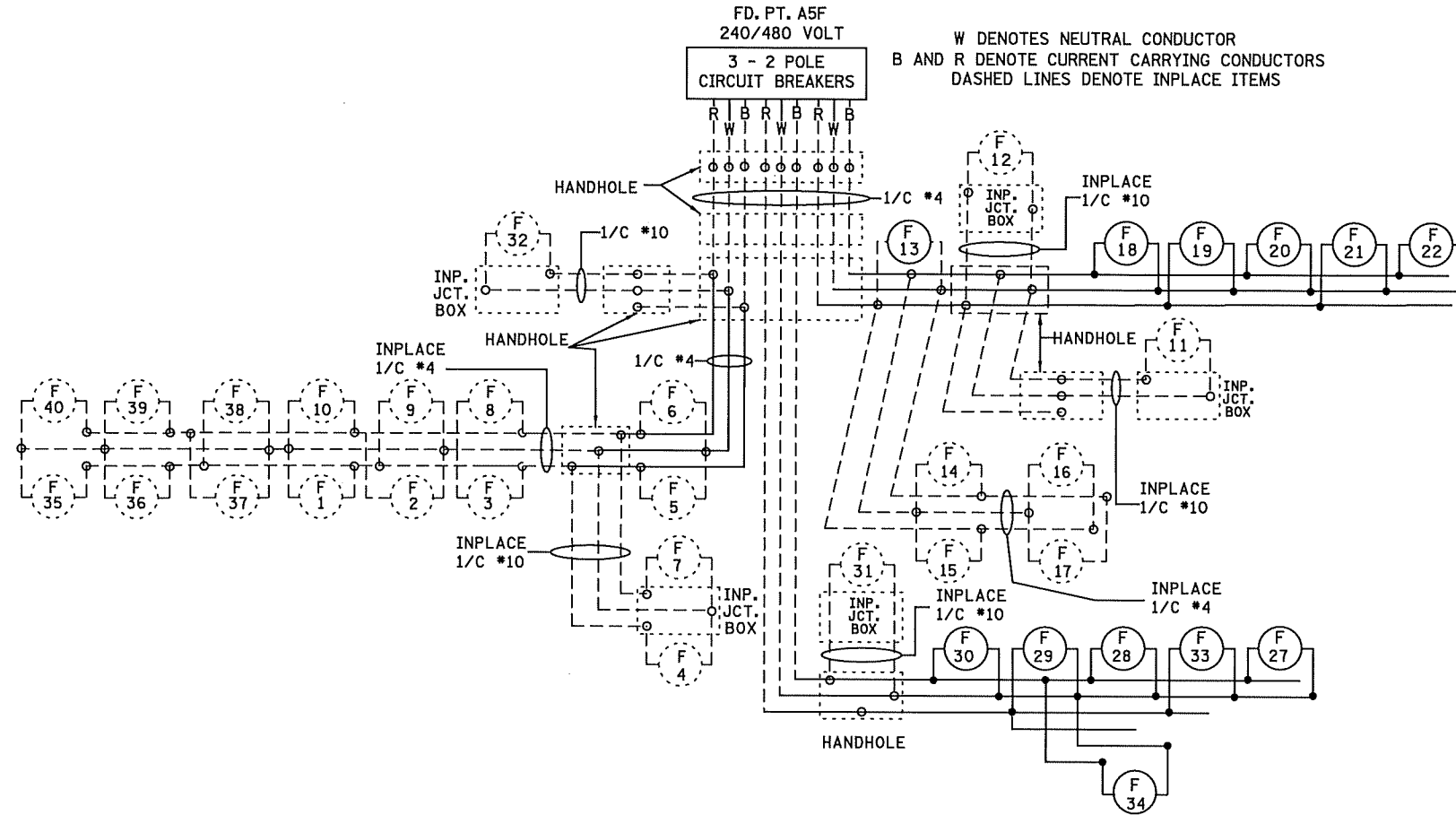
BY	DATE	REVISIONS

DRAWN BY: HL CKD BY: PB

CERTIFIED BY Michael P. Lubinsky LIC. NO. 19863 DATE: 30-JAN-2020
LICENSED PROFESSIONAL ENGINEER

PLOTTED/REVISED: 30-JAN-2020

DISTRICT #: Metro
 PLOT NAME: 12781-468_11t_10
 PATH & FILENAME: Projects\DM_R05\09-2781\468\Traffic\Lighting\12781-468_11t_10.dgn



FEEDPOINT : A05E LOCATION: 27TH AVE. SE
 METER ADDRESS: 49 27TH AVE. SE, S MINNEAPOLIS 55414
 FEEDPOINT: A05E LOCATION: HURON BLVD.
 METER ADDRESS: 910 ERIE ST. SE, MINNEAPOLIS 55414

FEEDPOINT A05E, A05F

BY	DATE	REVISIONS

CERTIFIED BY Michael P. Gubensky LIC. NO. 19863 DATE: 30-JAN-2020
LICENSED PROFESSIONAL ENGINEER

LIGHTING PLAN

STATE PROJ. NO. 2781-468 (T.H. 94) SHEET NO. SL12 OF SL12 SHEETS

DRAWN BY: HL CKD BY: PB