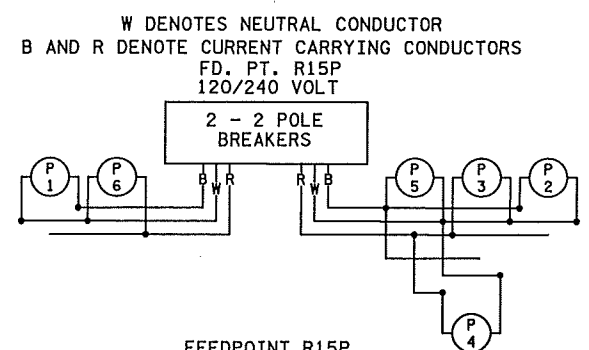
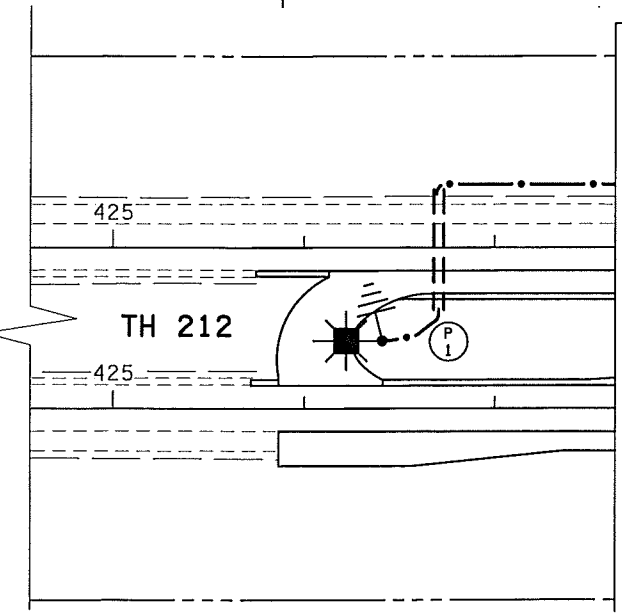
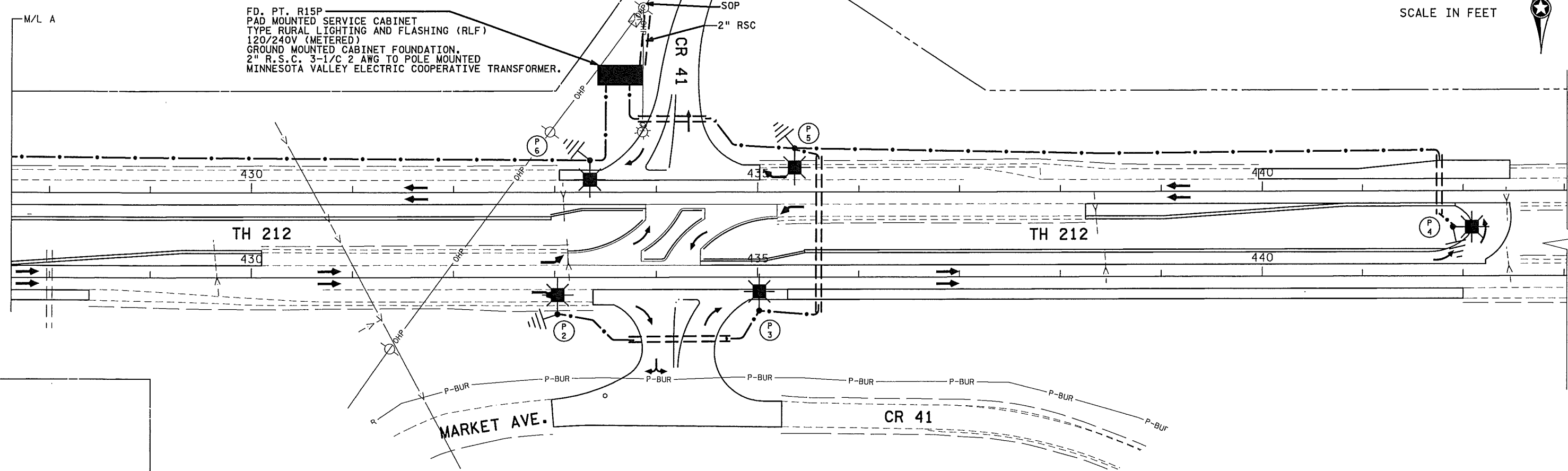
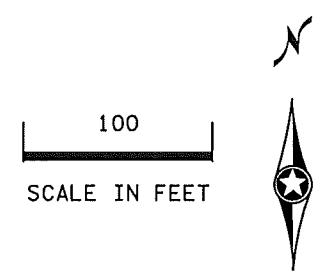


PLOTTED/REVISED: 12-MAR-2019

DISTRICT: Metro
 IPLOT NAME: SHEET 3
 PATH & FILENAME: Projects\DM_ROS\212\1013\090\Traffic\Lighting\1013-90\lit.dgn



FEEDPOINT R15P
LIGHTING UNIT LOCATION AND TYPE

NO.	STATION	LT.	RT.	LOCATION	TYPE	FOUNDATION
1	426+40	X		EB TH 212	9-40	E
2	433+00		X	EB TH 212	9-40	
3	435+00		X	EB TH 212	9-40	
4	441+90	X		EB TH 212	9-40	
5	435+40	X		WB TH 212	9-40	
6	433+30	X		WB TH 212	9-40	E

LEGEND

- LIGHTING UNIT
- PERMANENT GROUND ROD (25 OHMS OR LESS)
- DIRECT BURIED LIGHTING CABLE 4/C 4 AWG
- FD. PT. CABINET
- 3" PVC DIRECTIONAL BORED (UNLESS OTHERWISE NOTED)
- LIGHTING UNIT IDENTIFIER
- RIGHT OF WAY

BY	DATE	REVISIONS	FEEDPOINT: R15P LOCATION: CR. 41/MARKET AVE. METER ADDRESS: 9599 T.H. 212, COLOGNE, MN 55322	LIGHTING PLAN
DRAWN BY: BAM CKD BY: PB			CERTIFIED BY LIC. NO. 19863 DATE: 12-MAR-2019	STATE PROJ. NO. 1013-90 (T.H. 212) SHEET NO. SL3 OF SL4 SHEETS