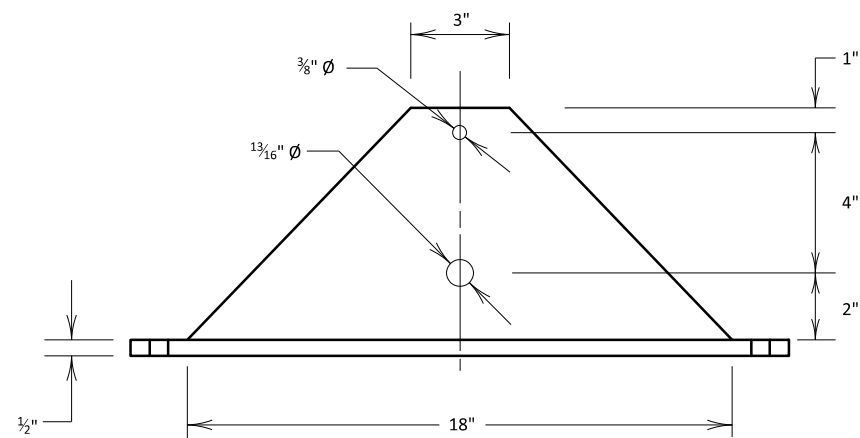
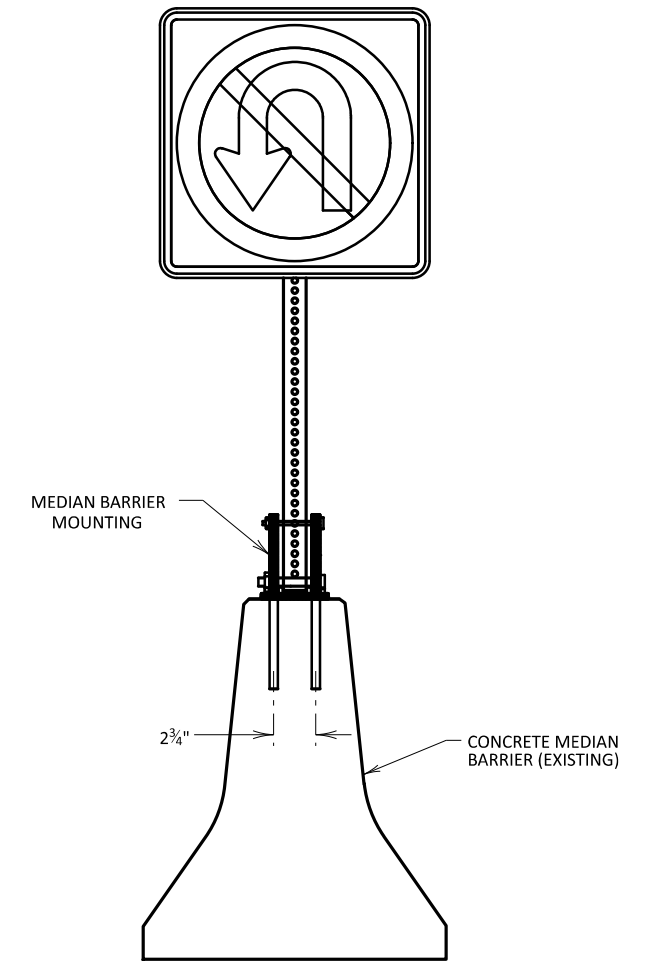


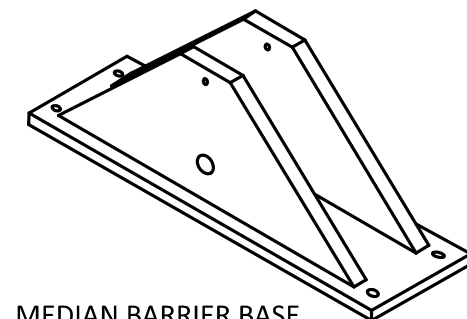
MEDIAN BARRIER BASE TOP VIEW



MEDIAN BARRIER BASE SIDE VIEW



CONCRETE MEDIAN BARRIER SIGN MOUNTING DETAIL



MEDIAN BARRIER BASE ISOMETRIC VIEW

- NOTES:
- MINIMUM TOP OF BARRIER WIDTH IS 8 INCHES.
 - FILL ALL HOLES IN CONCRETE UPON BASE REMOVAL.
 - STEEL FOR MEDIAN BARRIER MOUNTING BRACKET SHALL USE SPEC. 3306 OR 3310, GALVANIZE IN ACCORDANCE WITH SPEC 3394 AFTER FABRICATION.
 - ① DRILL 1/2" Ø HOLE FOR 5" LONG CHEMICAL ANCHOR ROD, LISTED IN MnDOT APPROVED/QUALIFIED PRODUCT LIST (APL), AT NO LESS THAN 2 1/2", BUT PREFERRED 3", FROM EDGE OF CONCRETE BARRIER. GALVANIZE MOUNTING AND SQUARE TUBE IN ACCORDANCE WITH SPEC. 3394 AFTER FABRICATION. GALVANIZE A325 BOLTS, CHEMICAL ANCHORS AND HARDWARE IN ACCORDANCE WITH SPEC 3392.

LEAD EXPERT OFFICE
BRIAN SORENSON
STATE TRAFFIC ENGINEER
OFFICE OF TRAFFIC ENGINEERING

SQUARE-TUBE MEDIAN BARRIER BASE

APPROVED: 06-04-2024
REVISED:

THOMAS STYRBICKI
STATE DESIGN ENGINEER

STANDARD PLAN
5-297.727

1 OF 1



STANDARD PLAN

STATE PROJ. NO.
TRUNK HWY.

SHEET NO.
TOTAL SHEETS