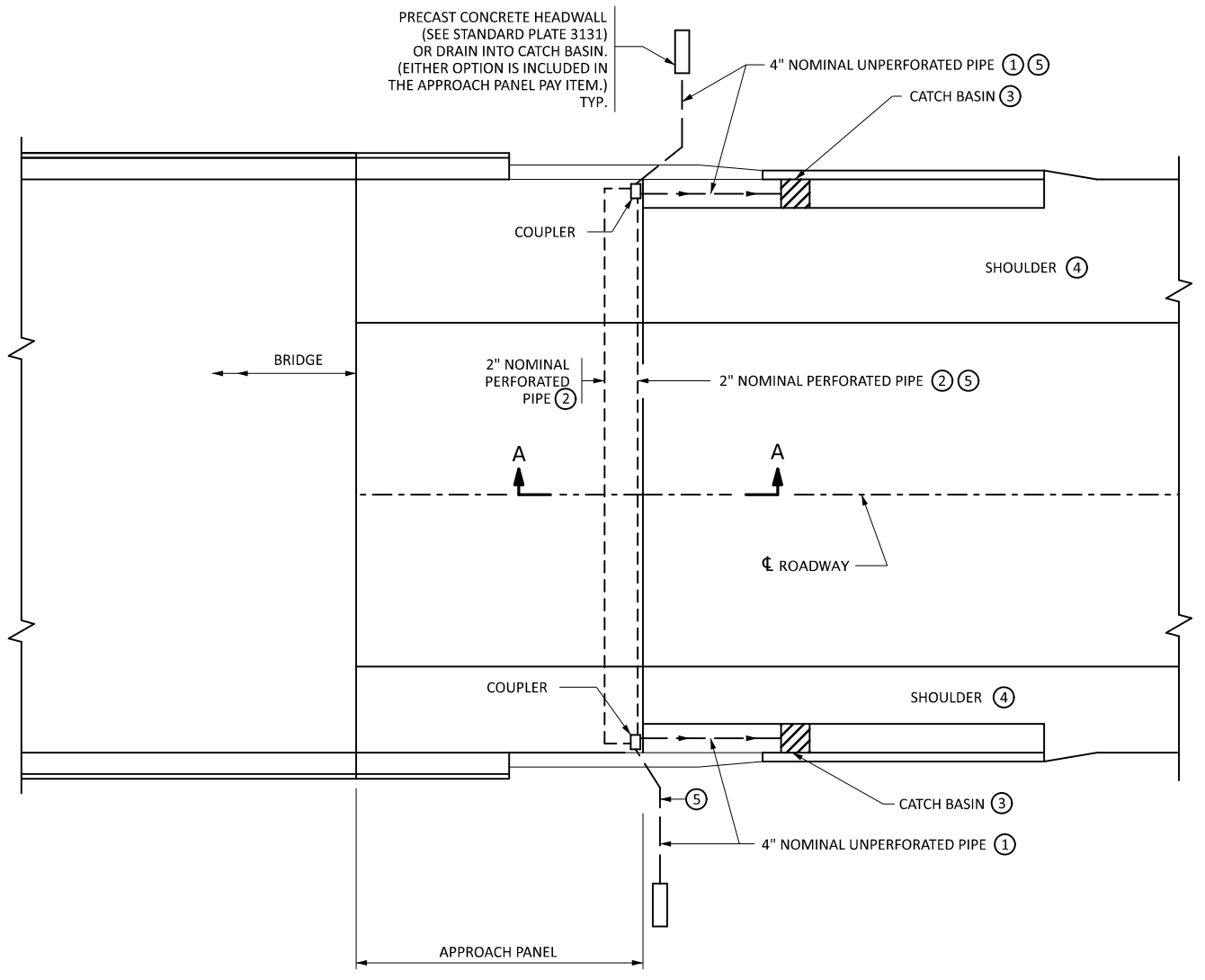
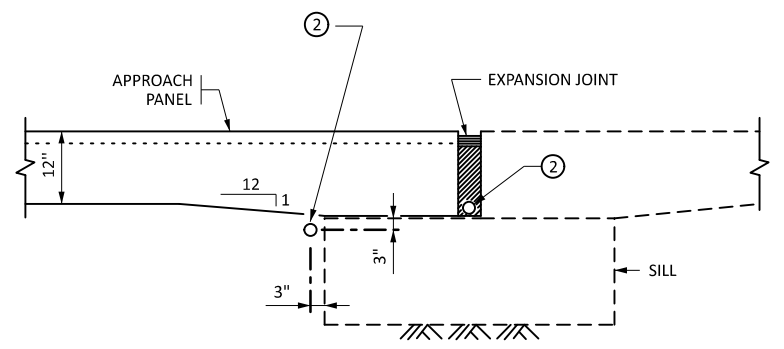


GREATER THAN 15° SKEWS



0° TO 15° SKEWS

APPROACH PANEL PLAN



SECTION A-A
DRAINAGE AT EXPANSION JOINT DETAIL.
REFER TO STANDARD PLAN 5-297.225 FOR
ADDITIONAL SILL OPTIONS AND DETAILS

NOTES:

- ① UNPERFORATED PIPE IN ACCORDANCE WITH SPEC 3245.2(5). 1/8 INCH PER 12 INCH MINIMUM SLOPE. FURNISHING AND INSTALLING THE DRAIN SYSTEM IS INCLUDED IN THE APPROACH PANEL PAY ITEM.
- ② 2" NOMINAL PERFORATED PIPE IN ACCORDANCE WITH SPEC 3278. SLEEVE WITH GEOTEXTILE IN ACCORDANCE WITH SPEC. 3733 TYPE 1. 1/8 INCH PER 12 INCH MINIMUM SLOPE. FURNISHING AND INSTALLING DRAIN SYSTEM IS INCLUDED IN THE APPROACH PANEL PAY ITEM. REFER TO STANDARD PLAN 5-297.226 FOR ADDITIONAL INFORMATION AND DETAILS.
- ③ REFER TO CONSTRUCTION PLANS TO DETERMINE WHETHER A FLUME OR CATCH BASIN IS REQUIRED AND FOR ADDITIONAL DRAINAGE DETAILS.
- ④ SEE CONSTRUCTION PLANS FOR PAVEMENT, LANE AND SHOULDER WIDTHS AND CONFIGURATION.
- ⑤ CONNECT 2" PIPE BEYOND SILL INTO 4" DRAIN SYSTEM IF AVAILABLE. IF NOT AVAILABLE THEN DAYLIGHT USING A PRECAST CONCRETE HEADWALL IN ACCORDANCE WITH STANDARD PLATE 3131 OR DRAIN INTO CATCH BASIN. EITHER OPTION IS INCLUDED IN THE APPROACH PANEL PAY ITEM. REFER TO STANDARD PLAN 5-297.226 (3 OF 3) FOR PIPE DETAILS AT END OF SILL AND FOR ADDITIONAL DRAINAGE DETAILS. LOCATE GUARDRAIL POSTS PRIOR TO INSTALLING PIPE AND ROUTE PIPE TO PROVIDE 12" MINIMUM BETWEEN ϕ PIPE AND EDGE OF GUARDRAIL POST. REFER TO STANDARD PLAN 5-297.693 AND 5-297.694 FOR GUARDRAIL POST LOCATIONS.

LEAD EXPERT OFFICE	EDWARD LUTGEN OFFICE DIRECTOR BRIDGE OFFICE	BRIDGE APPROACH PANEL DRAINAGE LAYOUT	APPROVED: 04-16-2024 REVISED:	 THOMAS STYRBICKI STATE DESIGN ENGINEER	STANDARD PLAN 5-297.228	1 OF 1
	 DEPARTMENT OF TRANSPORTATION		STANDARD PLAN		STATE PROJ. NO.	SHEET NO.
				TRUNK HWY.	TOTAL SHEETS	