

CONTRACTOR IS REQUIRED TO COMPLETE THE BILL OF REINFORCEMENT TABLE AND PREPARE SHOP DRAWINGS AND SUBMIT THEM TO THE PROJECT ENGINEER AT LEAST 3 WEEKS BEFORE REBAR FABRICATION.

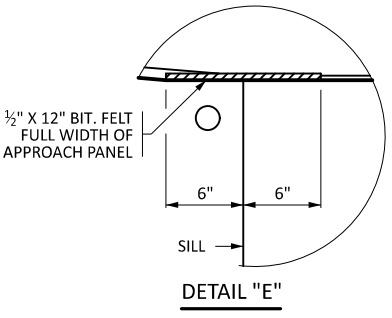
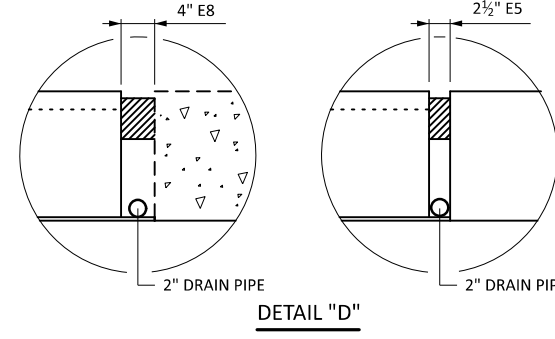
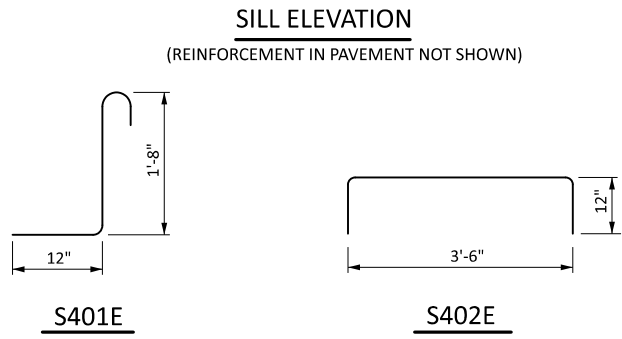
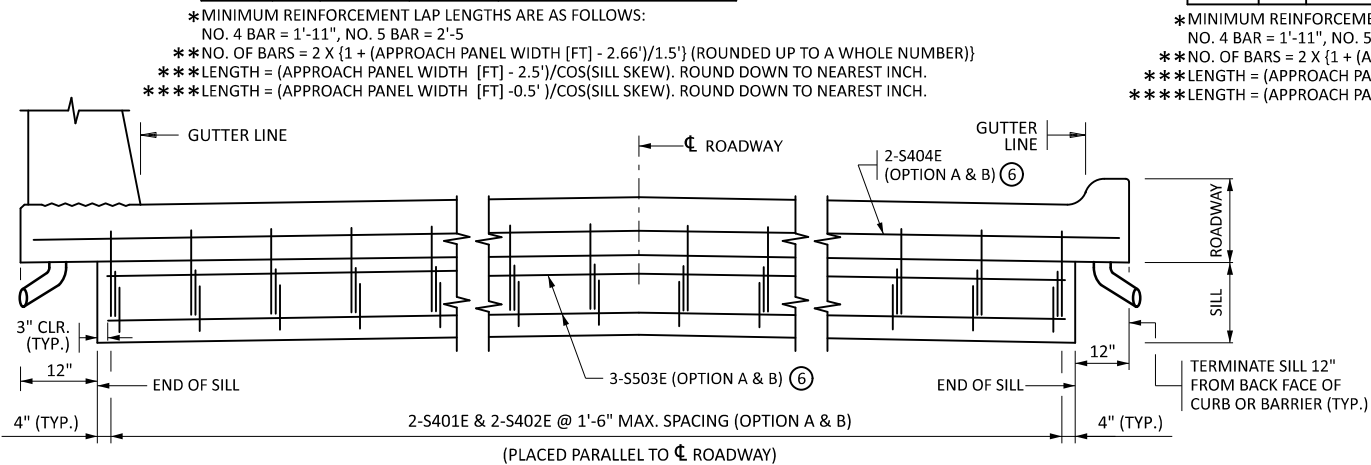
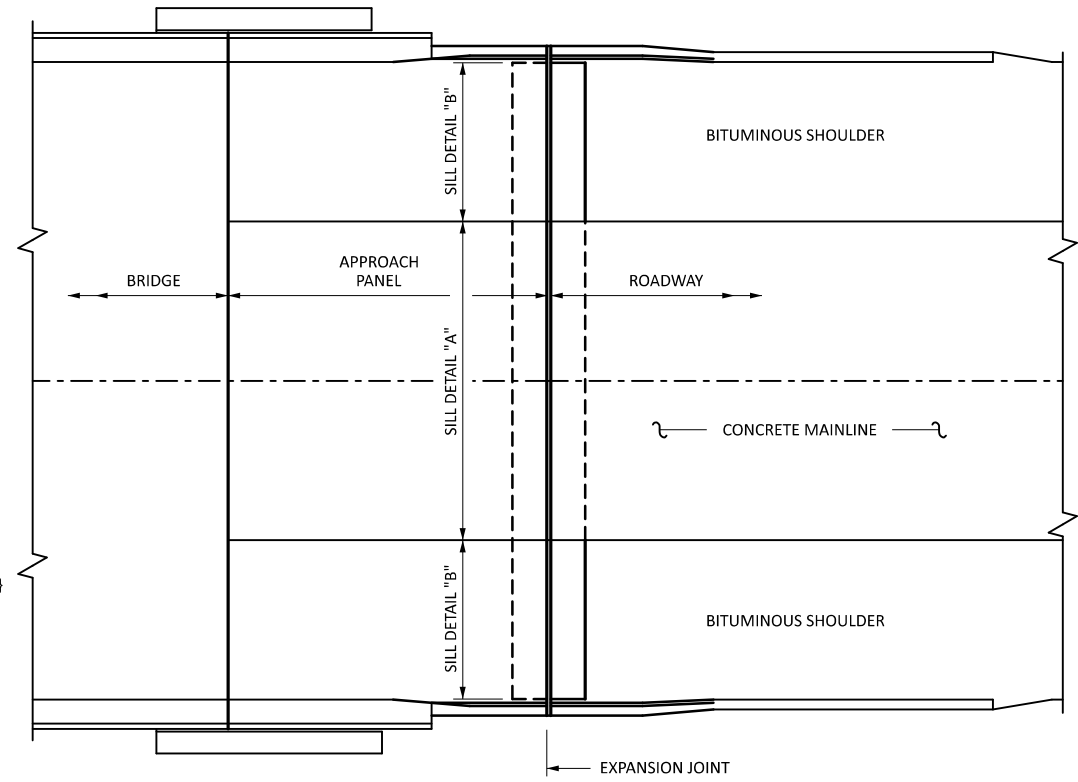
**SAMPLE BILL OF REINFORCEMENT FOR CONCRETE SILL OPTION A**

BAR	NO.	LENGTH	SHAPE	LOCATION
S401E	**	3'-2"	┘	SILL VERTICAL
S402E	**	5'-6"	┘	SILL TIE
* S503E	6	***	—	SILL HORIZONTAL
* S404E	2	****	—	END BLOCK HORIZONTAL

CONTRACTOR IS REQUIRED TO COMPLETE THE BILL OF REINFORCEMENT TABLE AND PREPARE SHOP DRAWINGS AND SUBMIT THEM TO THE PROJECT ENGINEER AT LEAST 3 WEEKS BEFORE REBAR FABRICATION.

**SAMPLE BILL OF REINFORCEMENT FOR CONCRETE SILL OPTION B**

BAR	NO.	LENGTH	SHAPE	LOCATION
S401E	**	3'-2"	┘	SILL VERTICAL
S402E	**	5'-6"	┘	SILL TIE
* S503E	6	***	—	SILL HORIZONTAL
* S404E	2	****	—	END BLOCK HORIZONTAL



- NOTES:**
- USE EPOXY COATED GRADE 60 REINFORCEMENT IN ACCORDANCE WITH SPEC 3301.
  - USE CONCRETE MIX 3S52.
  - REFER TO TABLE ON STANDARD PLAN 5-297.223 FOR SILL OPTION TYPE.
  - REPAIR CUT REBAR ENDS IN ACCORDANCE WITH SPEC. 2472.3C.
  - STAGGER ALL LAP SPLICES SUCH THAT NO MORE THAN 50% OF REBAR IS SPLICED AT THE SAME LOCATION.
  - 1 EXTEND 8 MIL. POLYETHYLENE SHEETING (OR 2 LAYERS OF 4 MIL.) FROM UNDERSIDE OF APPROACH PANEL ONTO THE TOP OF THE SILL, IF PRESENT. COVER AREA SHOWN IN DETAIL. (SHEETING IS INCLUDED IN THE APPROACH PANEL PAY ITEM).
  - 2 REFER TO TABLE ON STANDARD PLAN 5-297.223 FOR EXPANSION JOINT TYPE AND STANDARD PLAN 5-297.226 (3 OF 3) FOR EXPANSION JOINT DETAILS.
  - 3 REFER TO PAVING PLANS AND STANDARD PLAN 5-297.235 FOR LUGS IN CONCRETE PAVEMENT.
  - 4 REFER TO PAVING PLANS FOR BITUMINOUS HEADER DETAIL.
  - 5 INCLUDED IN PAYMENT FOR APPROACH PANEL.
  - 6 FIELD CUT OR INCREASE LAP LENGTH ON TRANSVERSE S503E AND S404E BARS IN NARROWED PORTION OF APPROACH PANEL. REFER TO GENERAL NOTES FOR MINIMUM LAP LENGTHS AND EPOXY REPAIR REQUIREMENTS.