

NOTES:

STAKE MAILBOX LOCATIONS BEFORE INSTALLATION. ONCE STAKED, THE INSTALLER MUST NOTIFY THE ENGINEER AND THE POST OFFICE. THE ENGINEER MUST APPROVE THE STAKED LOCATIONS PRIOR TO FINAL INSTALLATION. NEW MAILBOX LOCATIONS OR PLACEMENT OUTSIDE STANDARDS MAY ONLY BE APPROVED IN CONSULTATION WITH THE LOCAL POSTMASTER.

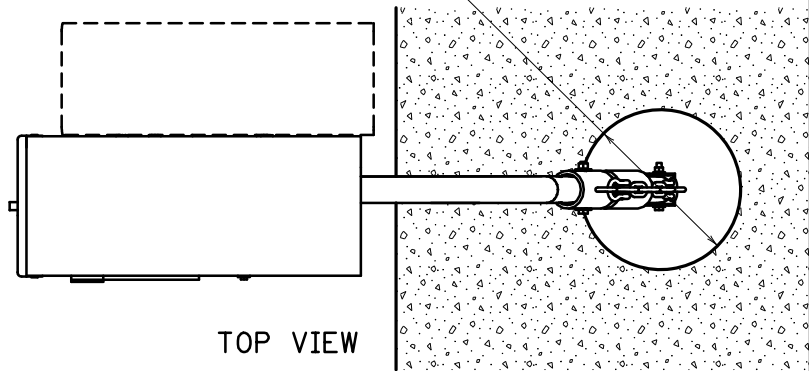
THE MINIMUM SPACING BETWEEN INDIVIDUAL MAILBOX SUPPORTS IS EQUAL TO THE HEIGHT OF THE SUPPORT.

OTHER MAILBOX SUPPORT DESIGNS MAY BE USED IF THEY SATISFY MASH CRITERIA, MEET USPS RECOMMENDATIONS AND MINNESOTA RULES, CHAPTER 8818, AND ARE IN COMPLIANCE WITH MNDOT REQUIREMENTS, WHICH MAY INCLUDE THE FOLLOWING (REQUIRED ON TRUNK HIGHWAYS):

PIPE IN ACCORDANCE WITH SPEC 3362 AND SCHEDULE 40 OF ASTM A53/A53M. ALL FASTENERS AND HARDWARE IN ACCORDANCE WITH SPEC 3391 AND GALVANIZED IN ACCORDANCE WITH SPEC 3392. PIPES, POST, AND OTHER STEEL COMPONENTS GALVANIZED IN ACCORDANCE WITH SPEC 3394 AFTER FABRICATION.

THE CONTRACTOR MUST SEND THE SHOP DRAWINGS TO THE ENGINEER FOR APPROVAL. FOR QUESTIONS REGARDING DESIGN ELEMENTS AND BREAKAWAY FEATURES, CONTACT THE MNDOT DESIGN STANDARDS UNIT.

WHEN INSTALLING IN PAVED WALK (SHOWN), PROVIDE 10" DIAMETER LEAVEOUT WITH AGGREGATE SURFACE. DO NOT PAVE OR GROUT LEAVEOUT.



- ① USE GRADE 5 HIGH STRENGTH STRUCTURAL STEEL BOLTS IN ACCORDANCE WITH SPEC 3391 AND GALVANIZED IN ACCORDANCE WITH SPEC 3392.
- ② WHERE CURB IS NOT PRESENT, PLACE WITH MAILBOX FACE AT OUTSIDE EDGE OF SHOULDER (AT OR NEAR SHOULDER PI).

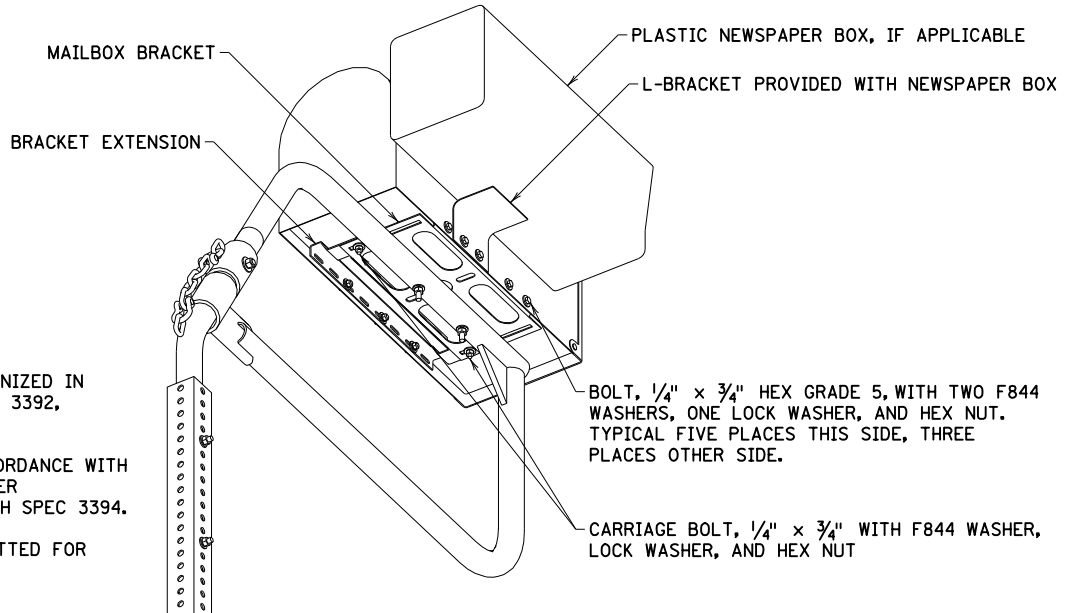
APPROVED 10-11-2023

 STATE DESIGN ENGINEER

STATE OF MINNESOTA
 DEPARTMENT OF TRANSPORTATION
MAILBOX SUPPORT
 SWING-AWAY TYPE

SPECIFICATION REFERENCE
 2540
 3306 3362
 3391 3392
 3394 3402

STANDARD PLATE NO.
9350C
 1 OF 3



NOTES:

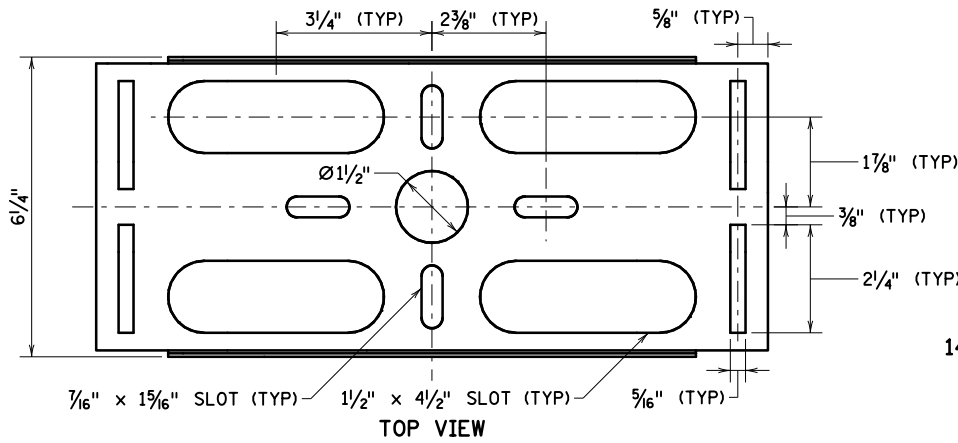
FASTENERS AND HARDWARE GALVANIZED IN ACCORDANCE WITH SPEC 3391 AND 3392, RESPECTIVELY.

BRACKET AND EXTENSION IN ACCORDANCE WITH SPEC 3306 AND GALVANIZED AFTER FABRICATION IN ACCORDANCE WITH SPEC 3394.

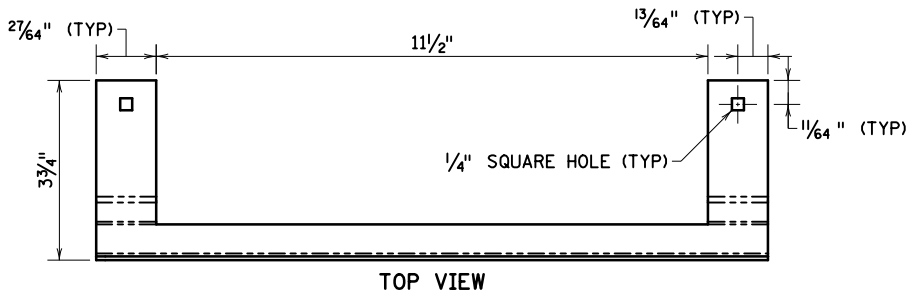
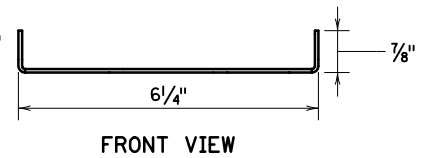
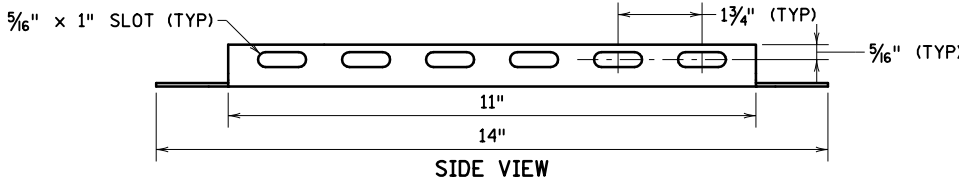
BRACKET EXTENSION MAY BE OMITTED FOR SMALLER MAILBOX SIZES.

BOLT, 1/4" x 3/4" HEX GRADE 5, WITH TWO F844 WASHERS, ONE LOCK WASHER, AND HEX NUT. TYPICAL FIVE PLACES THIS SIDE, THREE PLACES OTHER SIDE.

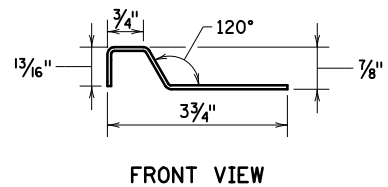
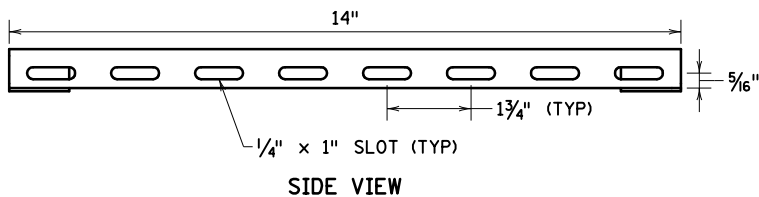
CARRIAGE BOLT, 1/4" x 3/4" WITH F844 WASHER, LOCK WASHER, AND HEX NUT



MAILBOX BRACKET
14-GAUGE GALVANIZED



BRACKET EXTENSION
14-GAUGE GALVANIZED



APPROVED 10-11-2023
Rom S
STATE DESIGN ENGINEER

STATE OF MINNESOTA
DEPARTMENT OF TRANSPORTATION
MAILBOX SUPPORT
SWING-AWAY TYPE

SPECIFICATION REFERENCE
2540
3306 3362
3391 3392
3394 3402

STANDARD PLATE NO.
9350C
3 OF 3