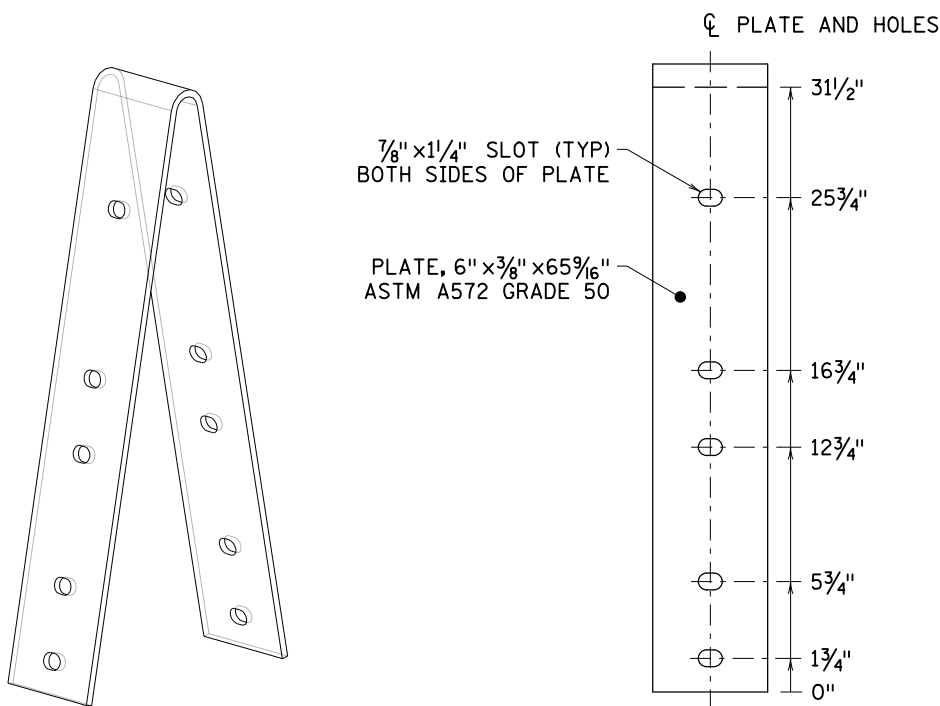


END ASSEMBLY
ISOMETRIC VIEW

END ASSEMBLY
SECTION VIEW
TWO REQUIRED



BENT PLATE
ISOMETRIC VIEW

BENT PLATE
VIEW NORMAL TO PLATE FACE
TWO REQUIRED

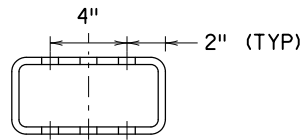
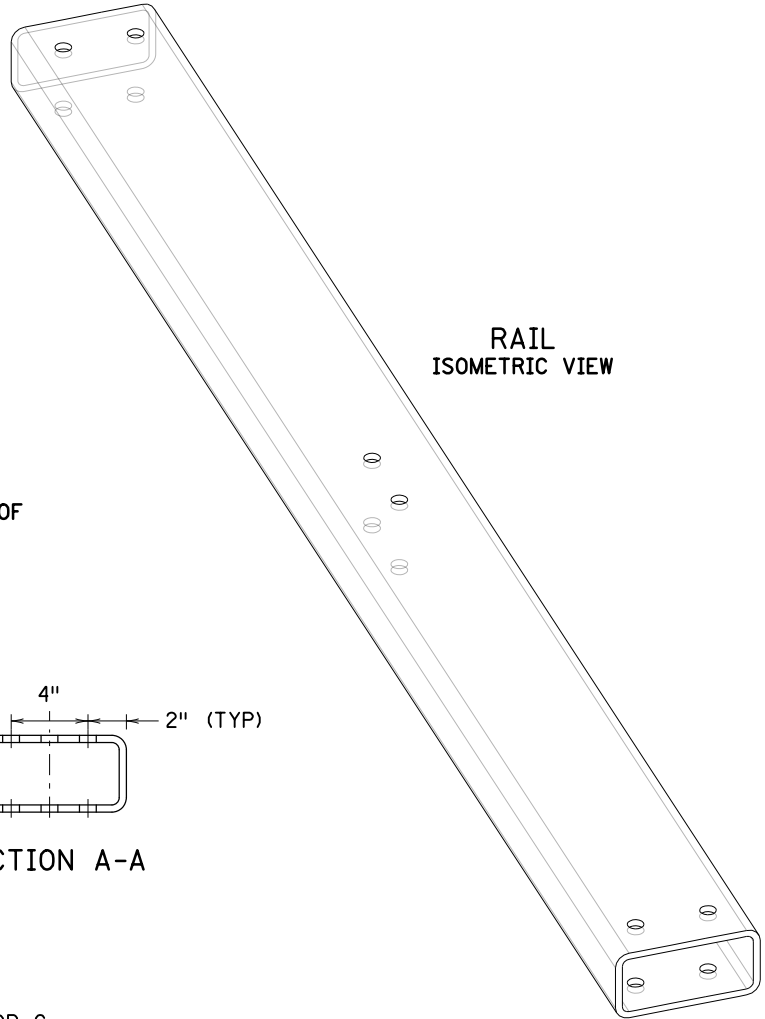
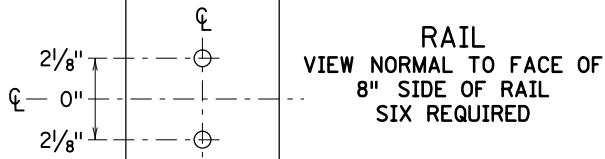
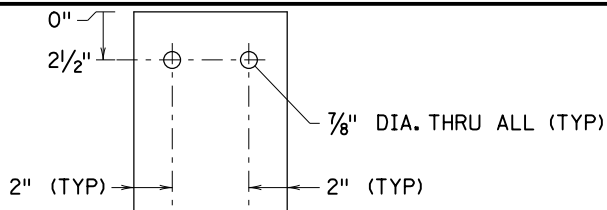
NOTE:
GALVANIZE ASSEMBLIES IN
ACCORDANCE WITH SPEC.
3394 AFTER FABRICATION.

APPROVED 10-11-2023
Rom Sln
STATE DESIGN ENGINEER

STATE OF MINNESOTA
DEPARTMENT OF TRANSPORTATION
BARRIER GAP RAIL (BGR) COMPONENTS
END PLATE, BENT PLATE, AND END ASSEMBLY DETAILS

SPECIFICATION
REFERENCE
3394

STANDARD
PLATE
NO.
8320A
1 OF 3



HSS 8x4x3/8
ASTM A500 GRADE B OR C
94" LENGTH SHOWN

NOTES:

GALVANIZE RAILS IN ACCORDANCE WITH SPEC. 3394 AFTER FABRICATION.

MAXIMUM RAIL LENGTH IS 94". 94" RAILS ARE SUITABLE FOR 96" BARRIER GAPS.

FOR SHORTER GAPS, RAIL LENGTH IS 2" SHORTER THAN THE LENGTH OF THE BARRIER GAP.

APPROVED 10-11-2023

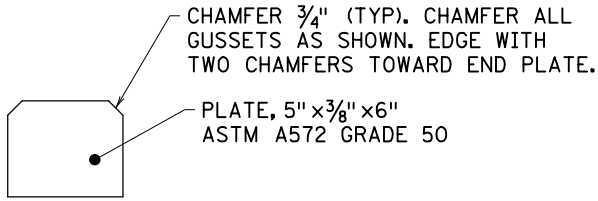
Rom S...
STATE DESIGN ENGINEER

STATE OF MINNESOTA
DEPARTMENT OF TRANSPORTATION

BARRIER GAP RAIL (BGR) COMPONENTS
RAIL DETAILS

SPECIFICATION
REFERENCE
3394

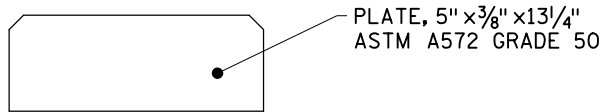
STANDARD
PLATE
NO.
8320A
2 OF 3



TOP

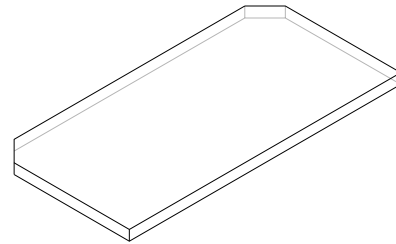


MIDDLE

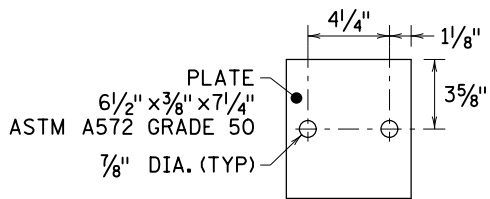


BOTTOM

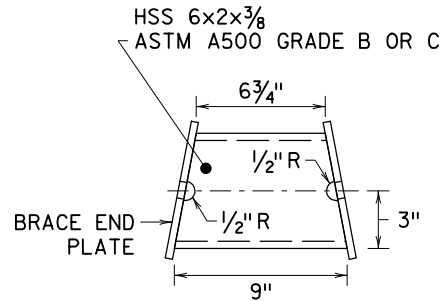
GUSSETS
PLAN VIEW
TWO OF EACH REQUIRED



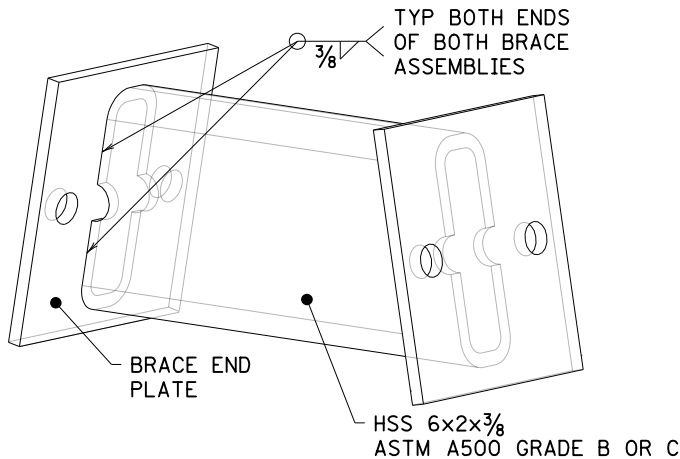
TYPICAL GUSSET
ISOMETRIC VIEW



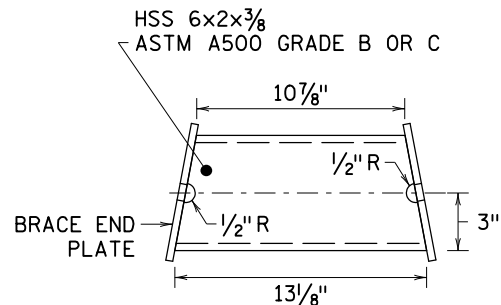
BRACE END PLATE
TYPICAL FOR BOTH BRACES
FOUR REQUIRED



CENTER BRACE ASSEMBLY




TYPICAL BRACE ASSEMBLY
ISOMETRIC VIEW



BOTTOM BRACE ASSEMBLY

NOTE:

GALVANIZE ASSEMBLIES IN ACCORDANCE WITH SPEC. 3394 AFTER FABRICATION.

APPROVED 10-11-2023

STATE DESIGN ENGINEER

STATE OF MINNESOTA
DEPARTMENT OF TRANSPORTATION
BARRIER GAP RAIL (BGR) COMPONENTS
GUSSETS AND BRACES

SPECIFICATION
REFERENCE
3394

STANDARD
PLATE
NO.
8320A
3 OF 3