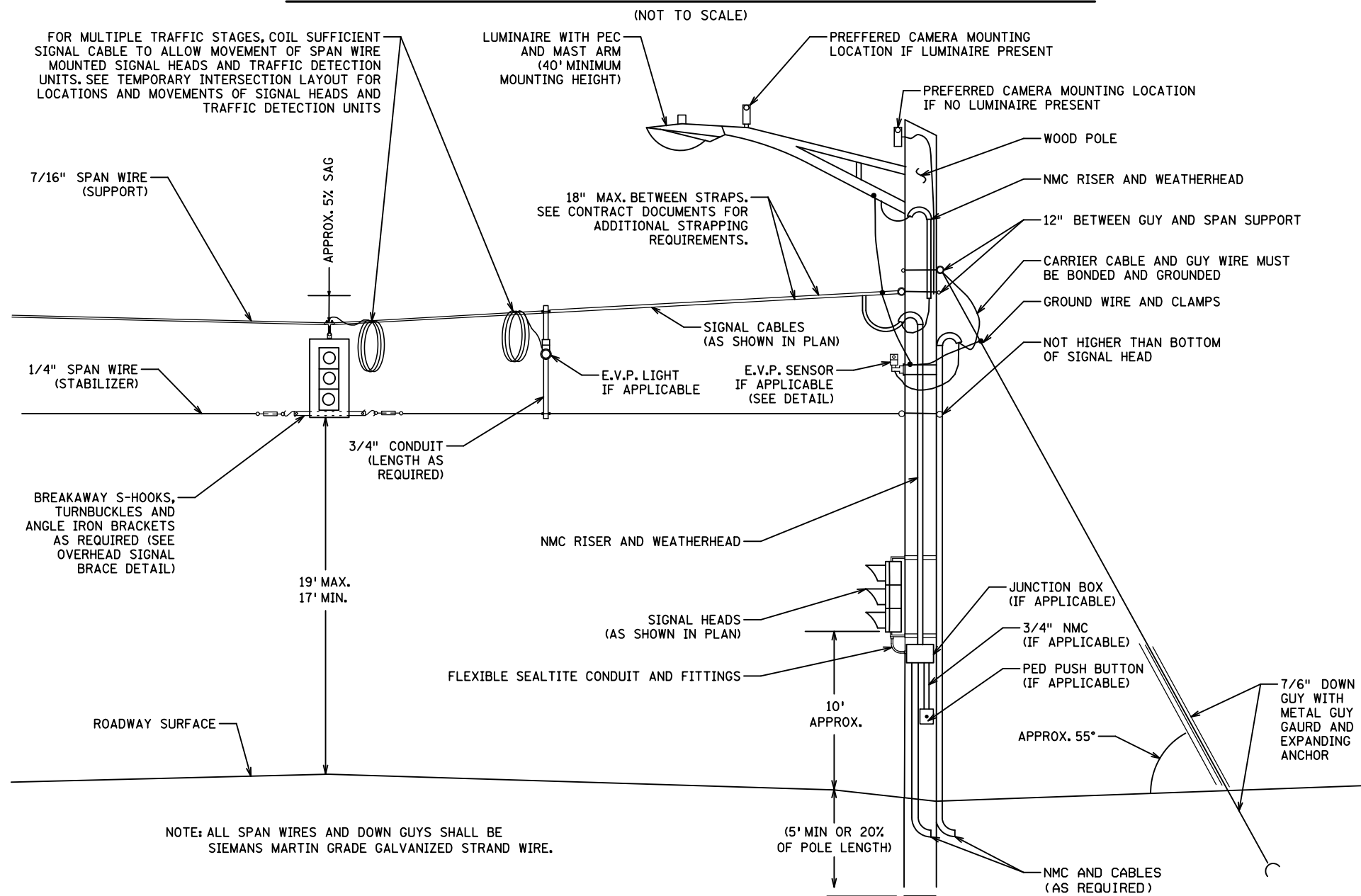
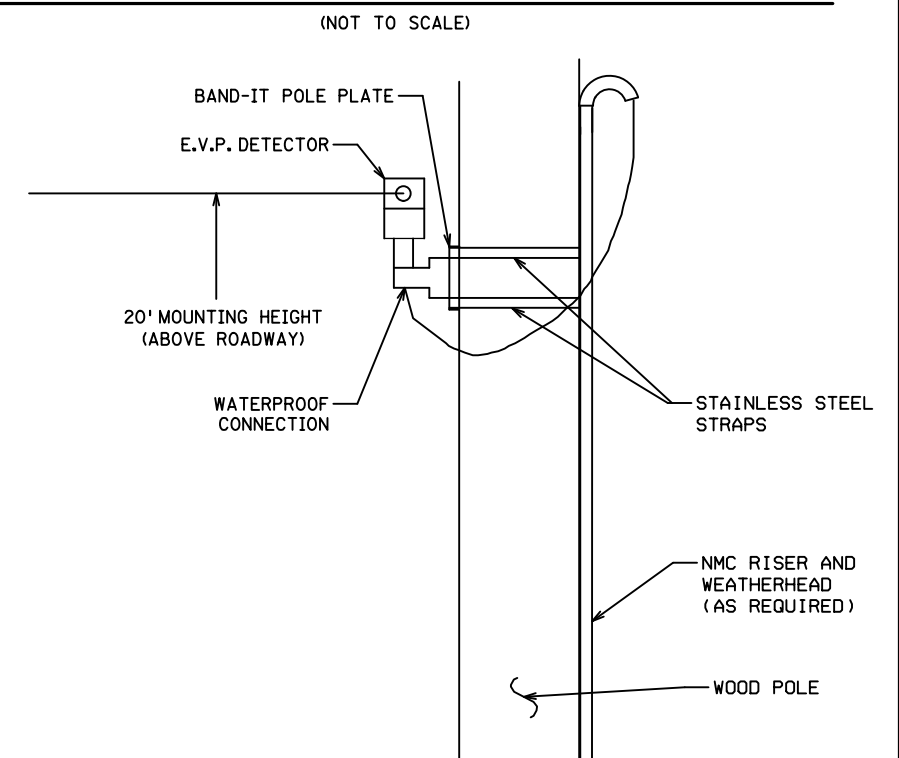


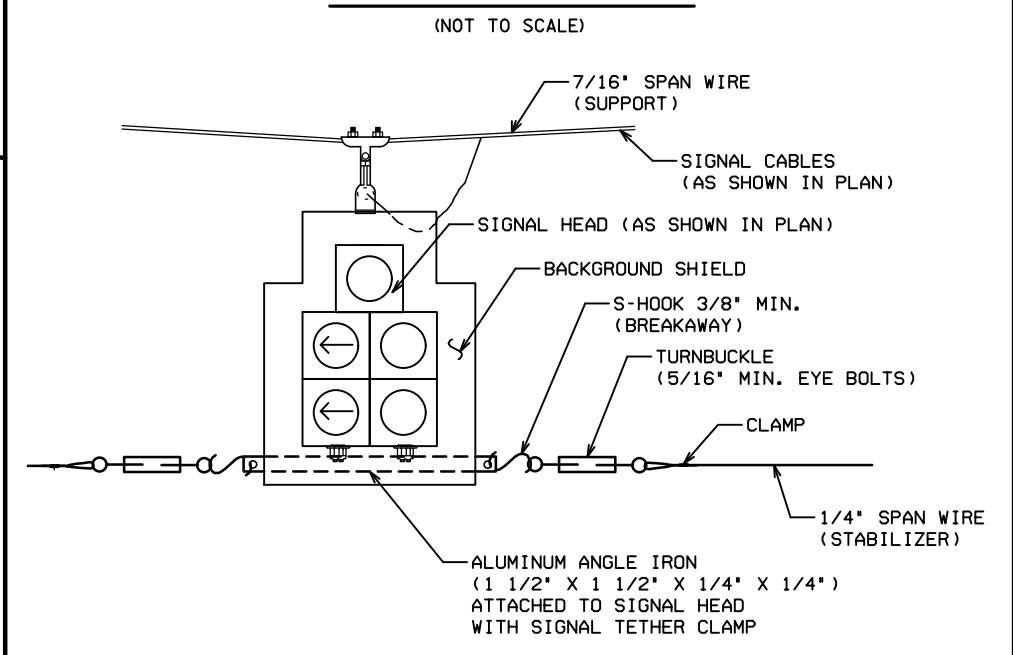
TYPICAL WOOD POLE AND SPAN WIRE MOUNTED TRAFFIC SIGNALS



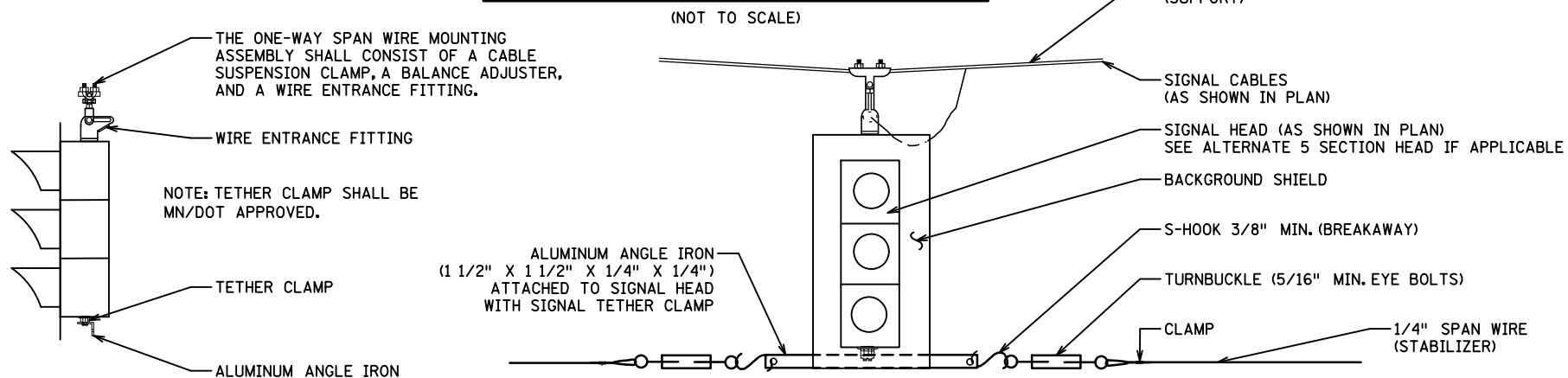
E.V.P. OR TRAFFIC DETECTOR WOOD POLE MOUNT



5 SECTION HEAD OVERHEAD SIGNAL BRACE DETAIL



OVERHEAD SIGNAL BRACE DETAIL



DISTRICT #: Metro
 IPLOT NAME: Span Wire detail (9-04-19)
 PATH & FILENAME: OT-ST-Signals\Detail\WoodPoleSpanWire\ET-All-Span Wire detail (9-04-19).dgn
 PLOTTED/REVISED: 4-SEP-2019

BY	DATE	REVISIONS	SYSTEM ID:	T.E.	S.A.P. NO.	DRAWN BY:	CKD BY:	DATE: 09-04-19
			METER ADDRESS:		CERTIFIED BY _____	LIC. NO. _____	DATE: _____	
			OLD SYSTEM ID:		STATE PROJ. NO.	(T.H.)	SHEET NO.	OF SHEETS

TYPICAL WOOD POLE/SPAN WIRE SIGNAL SYSTEM DETAIL WITH LOWER BREAKAWAY STABILIZER WIRE