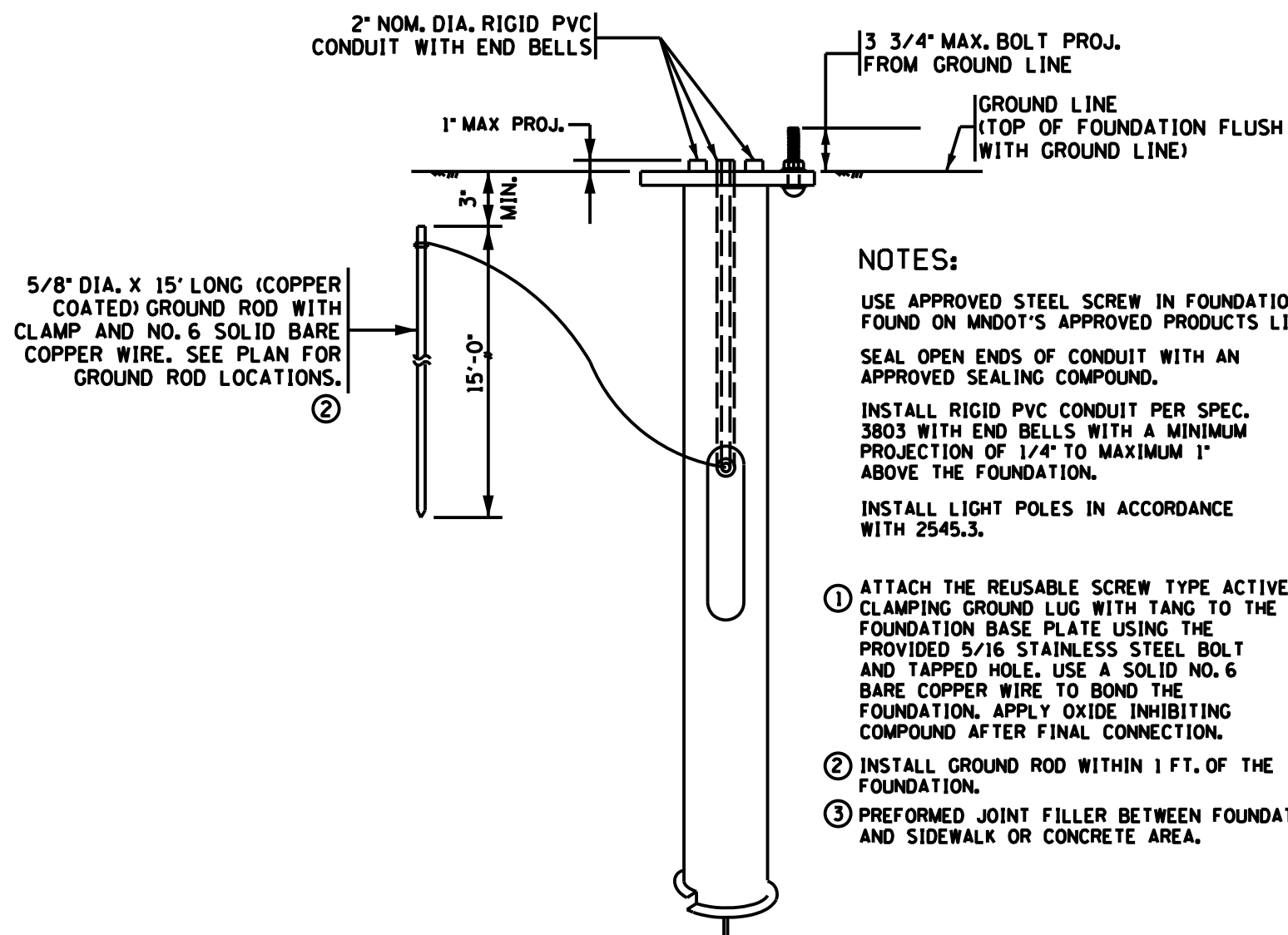
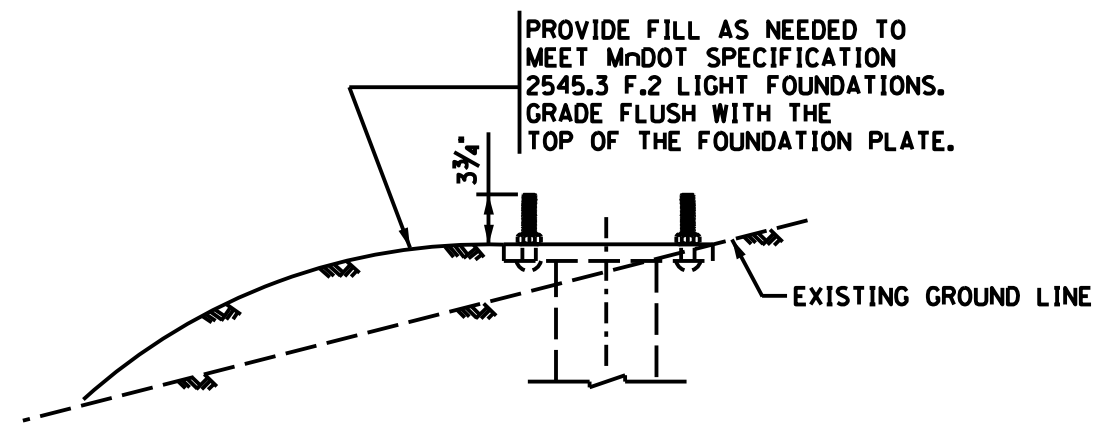


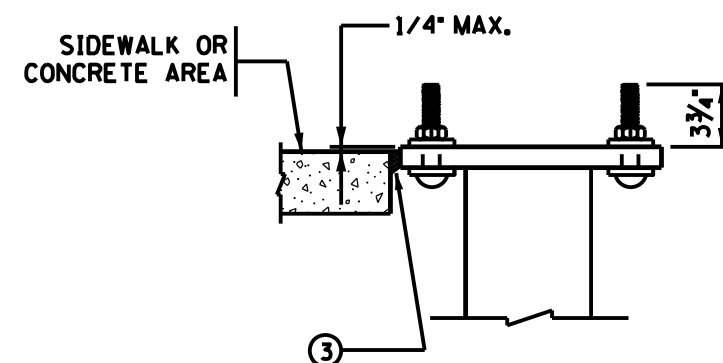
CARRIAGE BOLT ANCHOR DETAIL



STEEL SCREW IN LIGHT FOUNDATION DESIGN P



GRADING ON SLOPE DETAIL



SIDEWALK OR CONCRETE AREA DETAIL