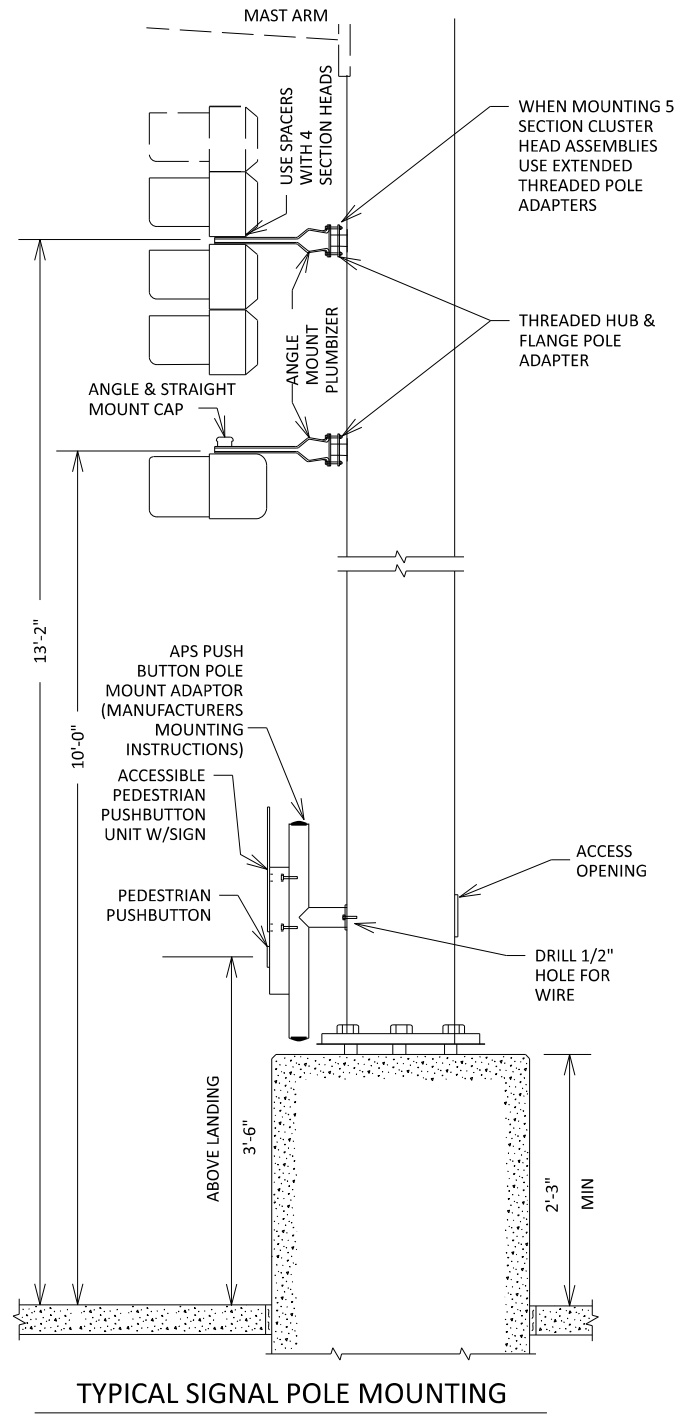


PLOTTED/REVISED: 27-DEC-2024

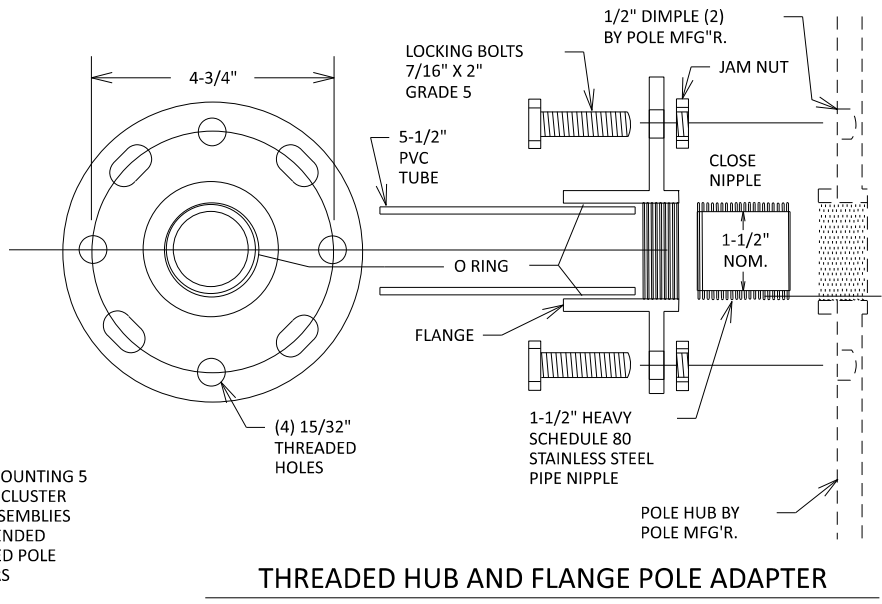
PLOTTED/REVISED: 27-DEC-2024

PLOT NAME: sample plan 12102024

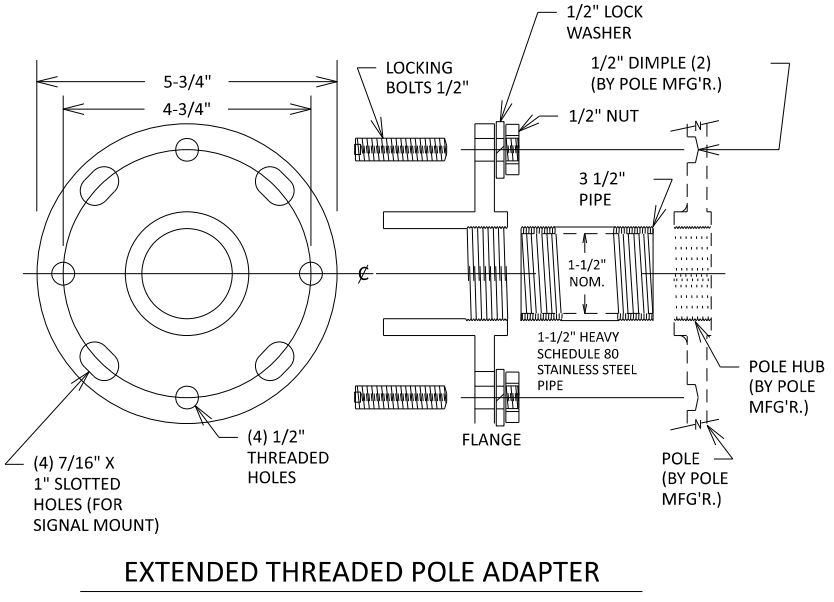
PATH & FILENAME: C:\Users\p102024\OneDrive\Documents\sample plan 12102024.dgn



TYPICAL SIGNAL POLE MOUNTING

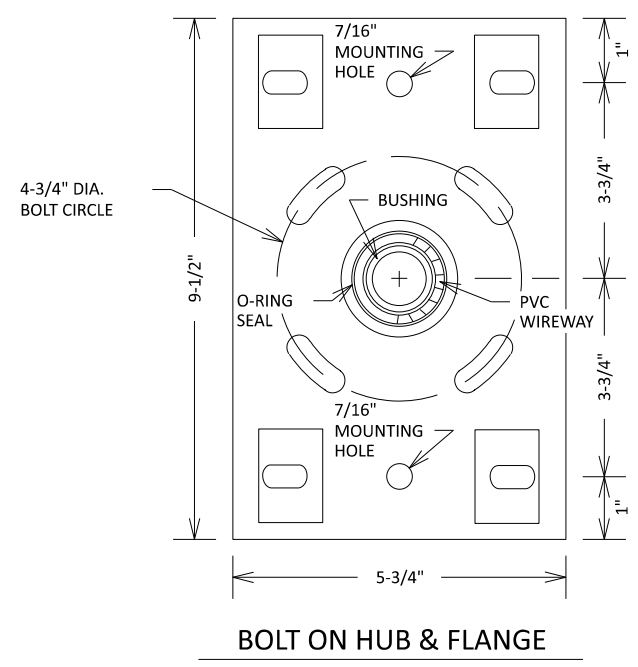


THREADED HUB AND FLANGE POLE ADAPTER

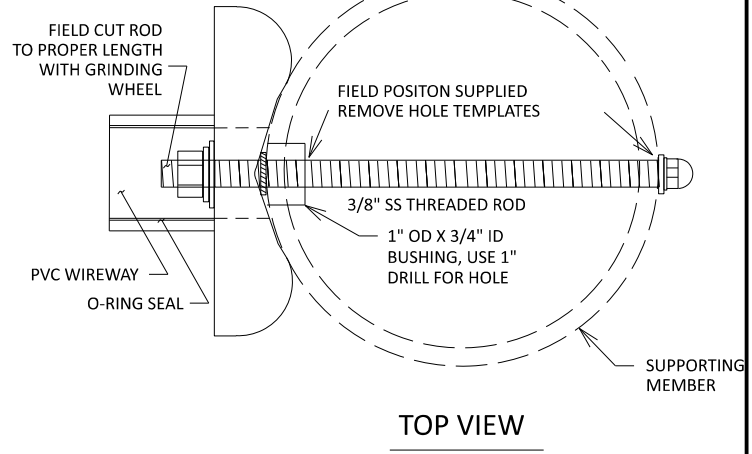


EXTENDED THREADED POLE ADAPTER

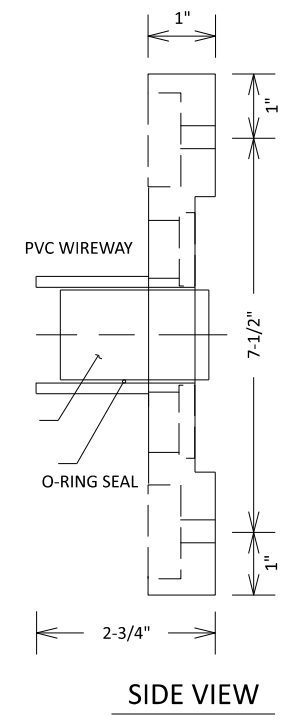
NOTES:  
SEE STANDARD PLATE NUMBER 8124A FOR ADDITIONAL SIGNAL POLE DETAILS.



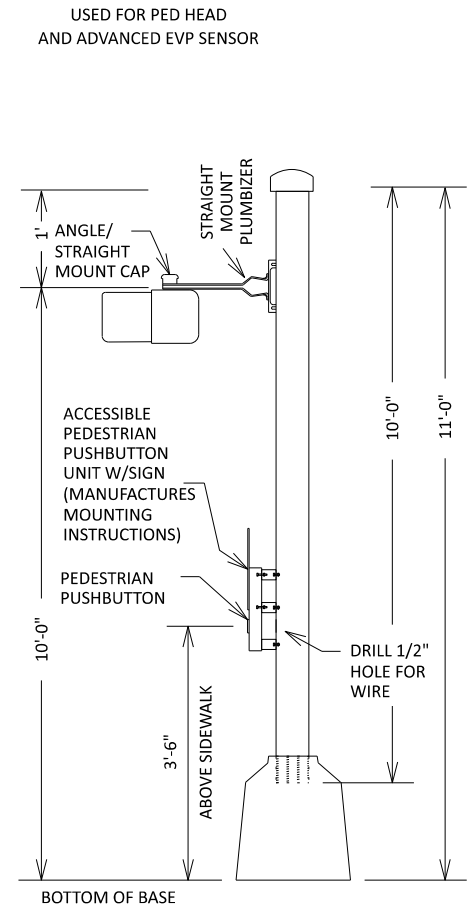
BOLT ON HUB & FLANGE



TOP VIEW

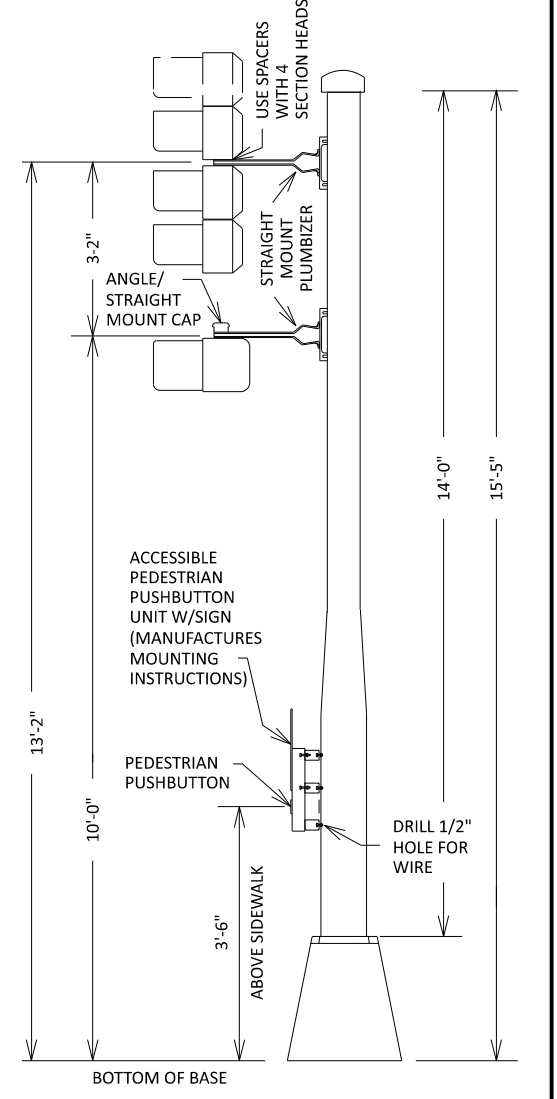


SIDE VIEW



10' PEDESTAL MOUNTING

NOT TO SCALE



14' PEDESTAL MOUNTING

NOT TO SCALE



SYSTEM ID: XXXX T.E. 1234  
METER ADDRESS: 9999 GRAND AVE

LICENSED PROFESSIONAL ENGINEER

Will D. Zine  
LIC. NO. 999666  
DATE: 27-DEC-2024

I HEREBY CERTIFY THAT THIS PLAN SHEET WAS PREPARED BY ME OR UNDER MY DIRECT SUPERVISION AND THAT I AM A DULY LICENSED PROFESSIONAL ENGINEER UNDER THE LAWS OF THE STATE OF MINNESOTA.

POLE MOUNT DETAIL

STATE PROJ. NO. 9999-99  
T.H. 156

SHEET NO. 3  
TOTAL SHEETS 13