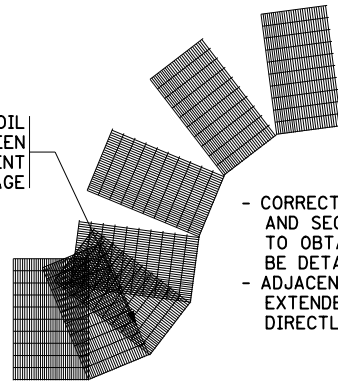
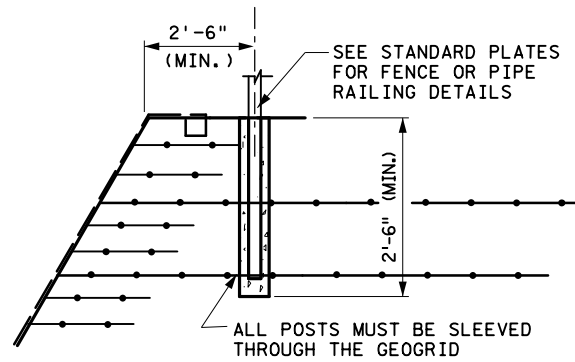


MINIMUM OF 3" OF SOIL FILL IS REQUIRED BETWEEN OVERLAPPING REINFORCEMENT FOR PROPER ANCHORAGE



- CORRECT ORIENTATION OF PRIMARY AND SECONDARY REINFORCEMENT TO OBTAIN PROPER STRENGTH SHALL BE DETAILED ON CONTRACTOR DRAWINGS.
- ADJACENT WIDTHS OF REINFORCEMENT SHALL BE EXTENDED AS NECESSARY AND NOT PLACED DIRECTLY ON TOP OF EACH OTHER.

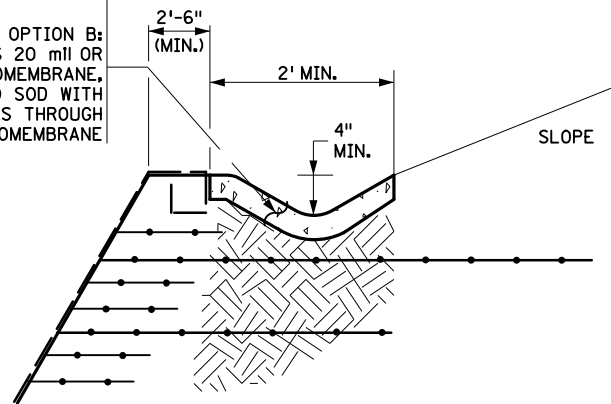
REINFORCEMENT PLACEMENT AROUND CURVES AND CORNERS



POST DETAIL  
TYPICAL HANDRAIL AND/OR FENCE POST

OPTION A:  
6" CLAY OR CLAY LOAM,  
TOPSOIL AND SOD

OPTION B:  
IMPERVIOUS 20 ml OR  
THICKER GEOMEMBRANE,  
TOPSOIL AND SOD WITH  
NO STAKES THROUGH  
GEOMEMBRANE



NOTE:  
MINIMUM SWALE DIMENSIONS  
ARE 2 FEET WIDE BY  
4 INCHES DEEP.

TYPICAL SWALE DETAIL

LEAD  
EXPERT  
OFFICE

AMBER BLANCHARD  
ACTING DIRECTOR  
OFFICE OF MATERIALS  
& ROAD RESEARCH



REINFORCED SOIL SLOPE  
DETAILS

APPROVED: 03-29-2023  
REVISED:

*Tom Styrbicki*  
THOMAS STYRBICKI  
STATE DESIGN ENGINEER

STANDARD  
PLAN  
5-297.649

1 OF 2

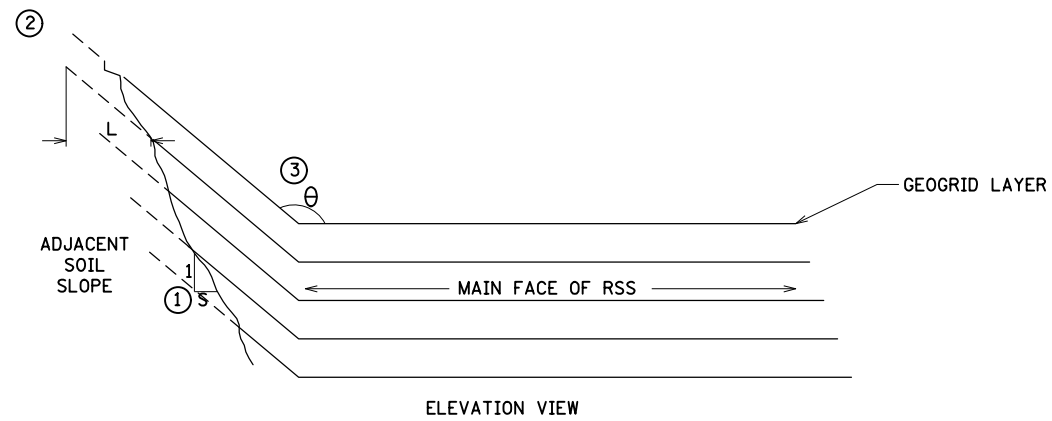
STANDARD PLAN

STATE PROJ. NO.

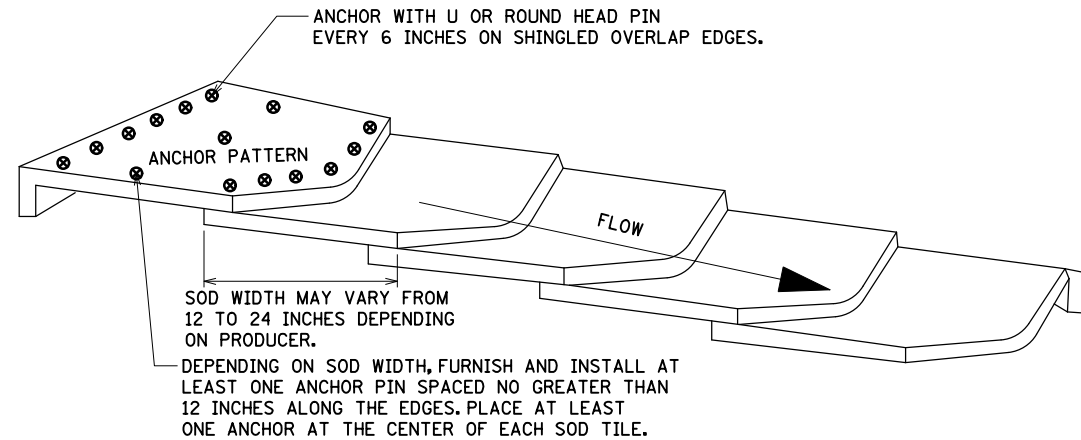
SHEET NO.

TRUNK HWY.

TOTAL SHEETS

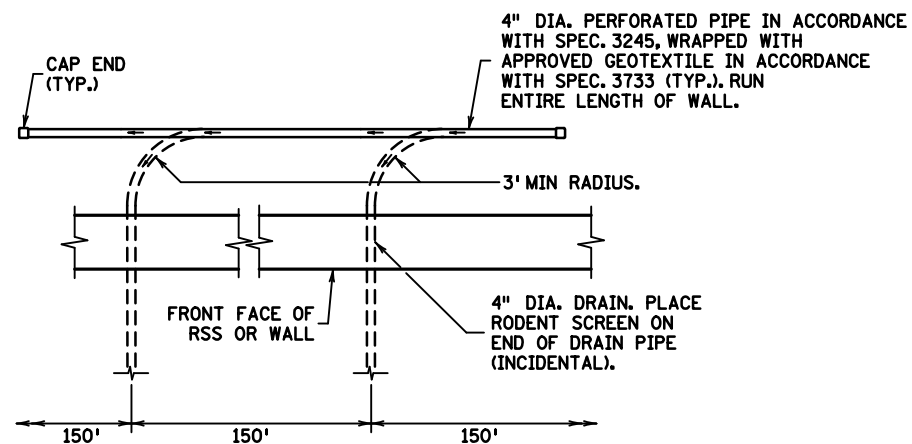


RSS TERMINATION DETAIL AT ADJACENT SOIL SLOPE



- FOLLOW SPEC. 2575.3A.2b SODDING INSTALLATION DATES.
- FOLLOW SPEC. 2575.3F.2 FOR ORIENTATION, LEAD AND EDGE EMBEDMENT, OVERLAPPING AND SHINGLING.
- PROVIDE TEMPORARY IRRIGATION UNTIL SOD ROOTED A MINIMUM OF 3 INCHES.

SOD FLUME INSTALLATION DETAIL



TOP VIEW  
DRAINAGE DETAIL

NOTES:

- ① THE SLOPE OF ADJACENT SOIL, 1:S, MUST BE NO STEEPER THAN 1V:2H.
- ② GEOGRID SHALL BE BURIED A DISTANCE, L, NO LESS THAN 2' INTO THE ADJACENT SOIL SLOPE.
- ③ THE ANGLE,  $\theta$ , OF THE RSS WILL BE DETERMINED BY THE DESIGNER TO MEET RIGHT-OF-WAY CONSTRAINTS AND THE REQUIREMENT OF NOTES 1 AND 2.

LEAD EXPERT OFFICE	AMBER BLANCHARD ACTING DIRECTOR OFFICE OF MATERIALS & ROAD RESEARCH		REINFORCED SOIL SLOPE DETAILS	APPROVED: 03-29-2023 REVISED:	 THOMAS STYRBICKI STATE DESIGN ENGINEER	STANDARD PLAN	2 OF 2
						5-297.649	
			STANDARD PLAN		STATE PROJ. NO.	SHEET NO.	
					TRUNK HWY.	TOTAL SHEETS	