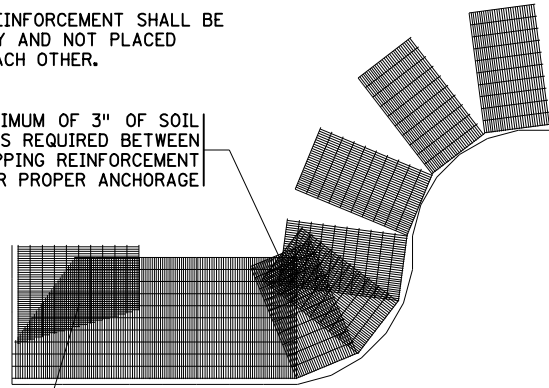


NOTES:

CORRECT ORIENTATION OF GEOSYNTHETIC TO OBTAIN PROPER STRENGTH SHALL BE DETAILED ON CONTRACTOR SHOP DRAWINGS.

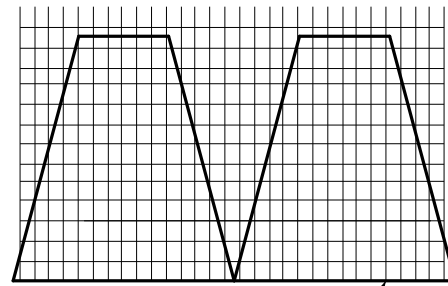
ADJACENT WIDTHS OF REINFORCEMENT SHALL BE EXTENDED AS NECESSARY AND NOT PLACED DIRECTLY ON TOP OF EACH OTHER.

MINIMUM OF 3" OF SOIL FILL IS REQUIRED BETWEEN OVERLAPPING REINFORCEMENT FOR PROPER ANCHORAGE



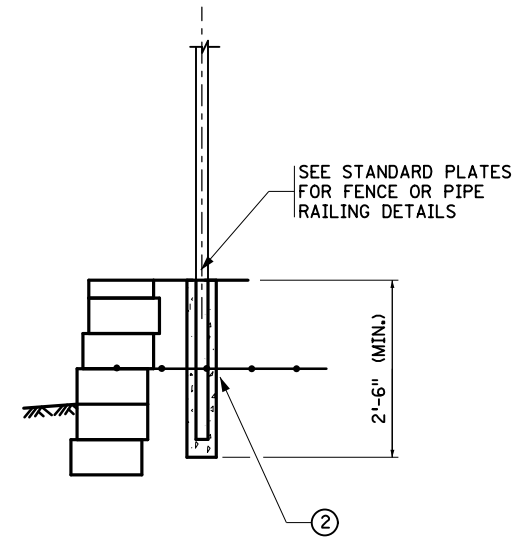
STAGGER REINFORCEMENT BY ONE BLOCK HEIGHT. REINFORCEMENTS SHALL NOT BE PLACED DIRECTLY ON TOP OF EACH OTHER.

REINFORCEMENT PLACEMENT AROUND CURVES AND CORNERS

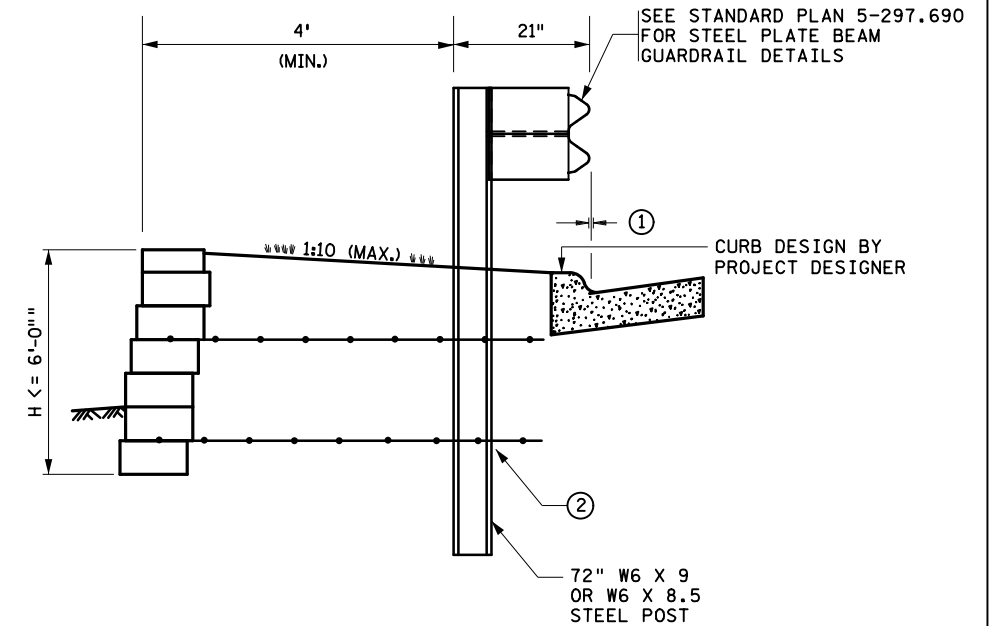


REINFORCEMENT IS TO BE PLACED ON LEVEL BACKFILL AND EXTENDED TO FRONT FACE OF OVERLYING BLOCKS. PLACE NEXT UNIT. PULL REINFORCEMENT TAUT AND BACKFILL AS REQUIRED.

REINFORCEMENT PLACEMENT BETWEEN BLOCK UNITS



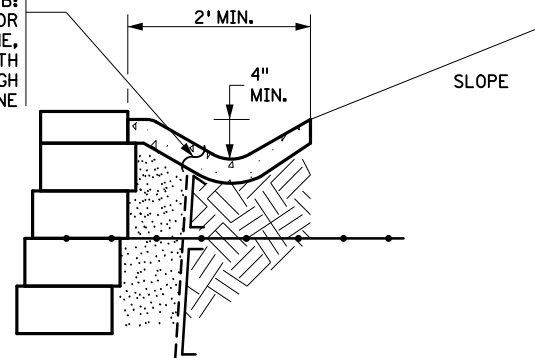
POST DETAIL  
TYPICAL HANDRAIL AND/OR FENCE POST



STEEL PLATE BEAM GUARDRAIL DETAIL 1

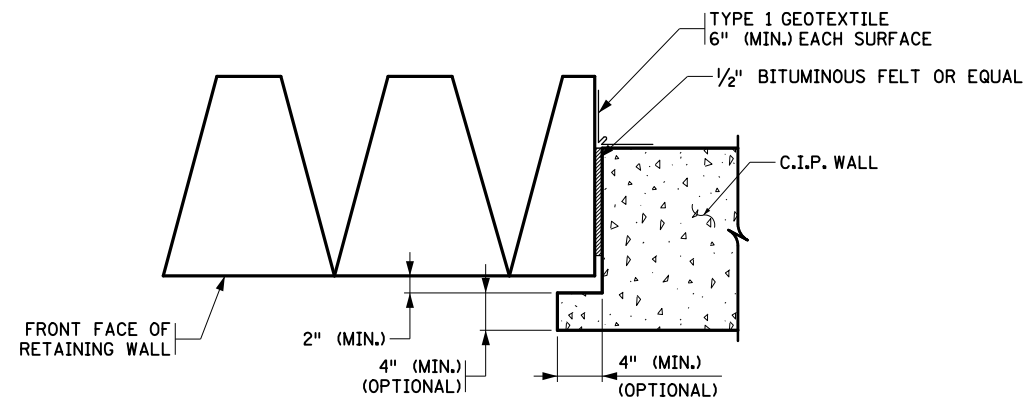
OPTION A: 6" CLAY OR CLAY LOAM, TOPSOIL AND SOD

OPTION B: IMPERVIOUS 20 mil OR THICKER GEOMEMBRANE, TOPSOIL AND SOD WITH NO STAKES THROUGH GEOMEMBRANE

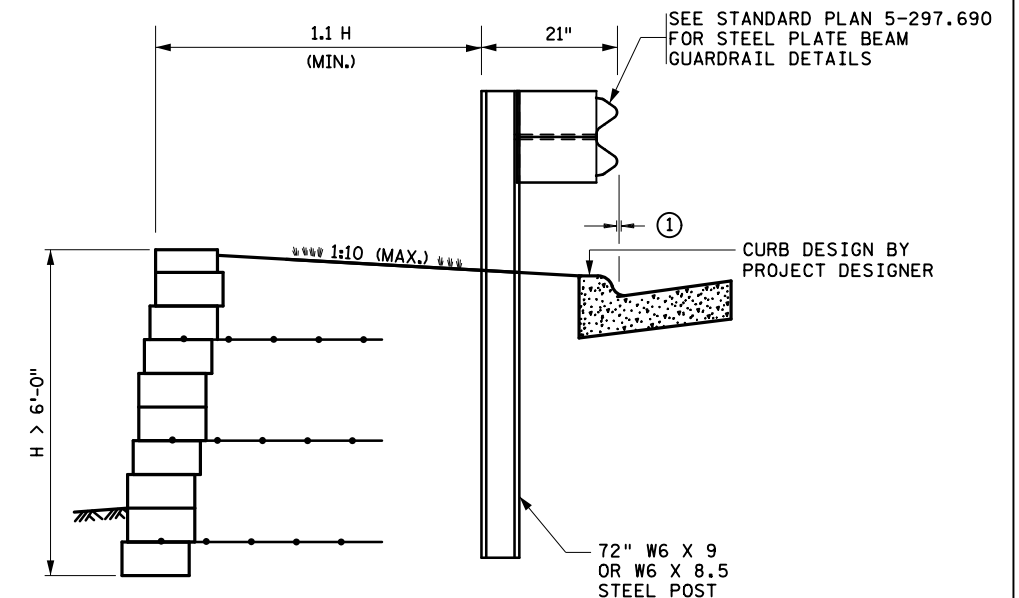


NOTE: MINIMUM SWALE DIMENSIONS ARE 2 FEET WIDE BY 4 INCHES DEEP.

TYPICAL SWALE DETAIL



CONNECTION DETAIL AT JUNCTURE OF MBW AND C.I.P. STRUCTURE



STEEL PLATE BEAM GUARDRAIL DETAIL 2

NOTES:

- ① USE CAUTION WHEN PLACING CURB WITH GUARDRAIL. CURBS ADVERSELY AFFECT THE PERFORMANCE OF THE GUARDRAIL.
- ② ALL POSTS MUST BE SLEEVED THROUGH THE GEOGRID.

LEAD EXPERT OFFICE  
AMBER BLANCHARD  
ACTING DIRECTOR  
OFFICE OF MATERIALS & ROAD RESEARCH



MODULAR BLOCK RETAINING WALL  
DETAILS

STANDARD PLAN

APPROVED: 03-29-2023  
REVISED:

THOMAS STYRBICKI  
STATE DESIGN ENGINEER

STANDARD PLAN  
5-297.645

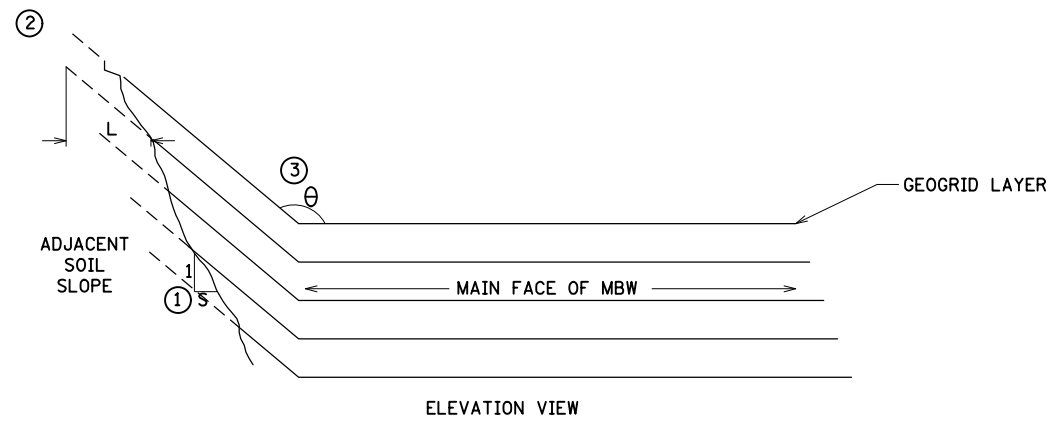
1 OF 2

STATE PROJ. NO.

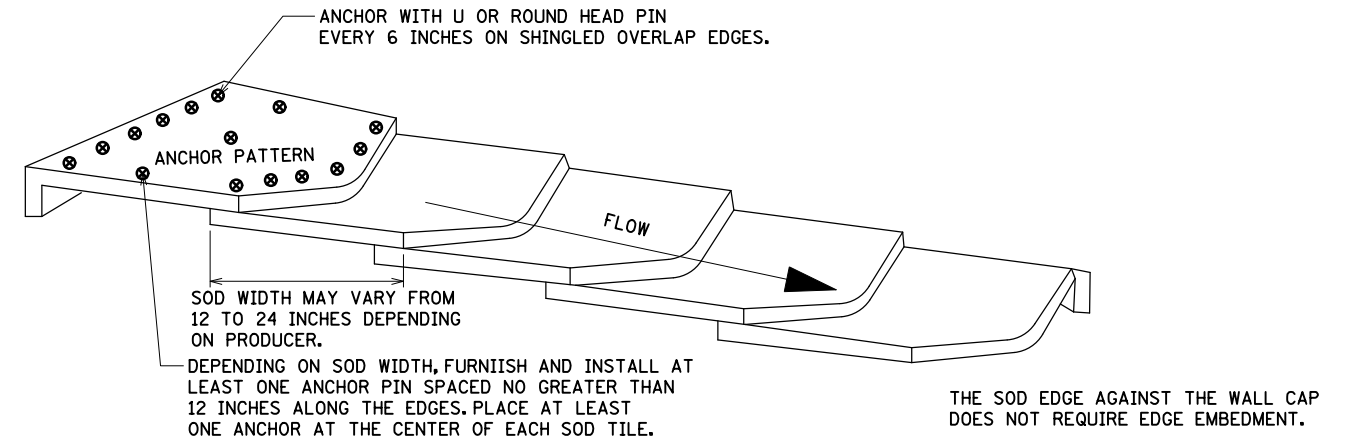
SHEET NO.

TRUNK HWY.

TOTAL SHEETS

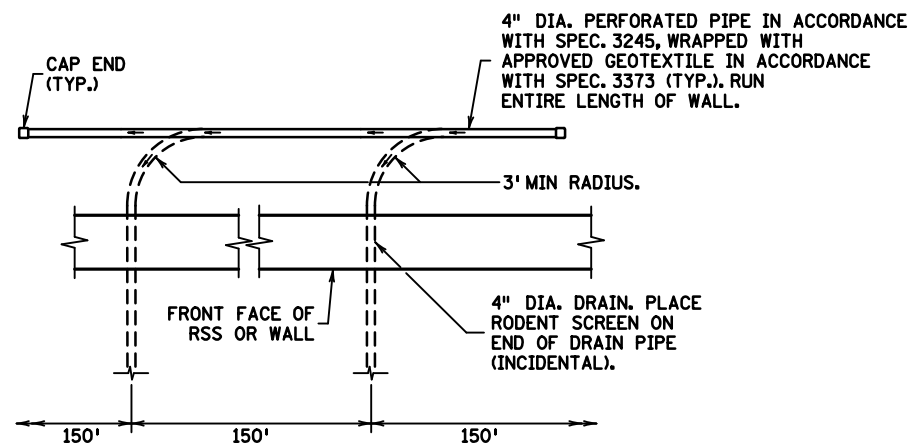


MBW TERMINATION DETAIL AT ADJACENT SOIL SLOPE



- FOLLOW SPEC. 2575.3A.2b SODDING INSTALLATION DATES.
- FOLLOW SPEC. 2575.3F.2 FOR ORIENTATION, LEAD AND EDGE EMBEDMENT, OVERLAPPING AND SHINGLING.
- PROVIDE TEMPORARY IRRIGATION UNTIL SOD ROOTED A MINIMUM OF 3 INCHES,



SOD FLUME INSTALLATION DETAIL



TOP VIEW  
DRAINAGE DETAIL

NOTES:

- ① THE SLOPE OF ADJACENT SOIL, 1:s, MUST BE NO STEEPER THAN 1V:2H.
- ② GEOGRID SHALL BE BURIED A DISTANCE, L, NO LESS THAN 2' INTO THE ADJACENT SOIL SLOPE.
- ③ THE ANGLE,  $\theta$ , OF THE MBW WILL BE DETERMINED BY THE DESIGNER TO MEET RIGHT-OF-WAY CONSTRAINTS AND THE REQUIREMENT OF NOTES 1 AND 2.

LEAD EXPERT OFFICE	AMBER BLANCHARD ACTING DIRECTOR OFFICE OF MATERIALS & ROAD RESEARCH	 DEPARTMENT OF TRANSPORTATION	MODULAR BLOCK RETAINING WALL DETAILS	APPROVED: 03-29-2023 REVISED:	 THOMAS STYRBICKI STATE DESIGN ENGINEER	STANDARD PLAN	2 OF 2
						5-297.645	
			STANDARD PLAN	STATE PROJ. NO.	SHEET NO.		
				TRUNK HWY.	TOTAL SHEETS		