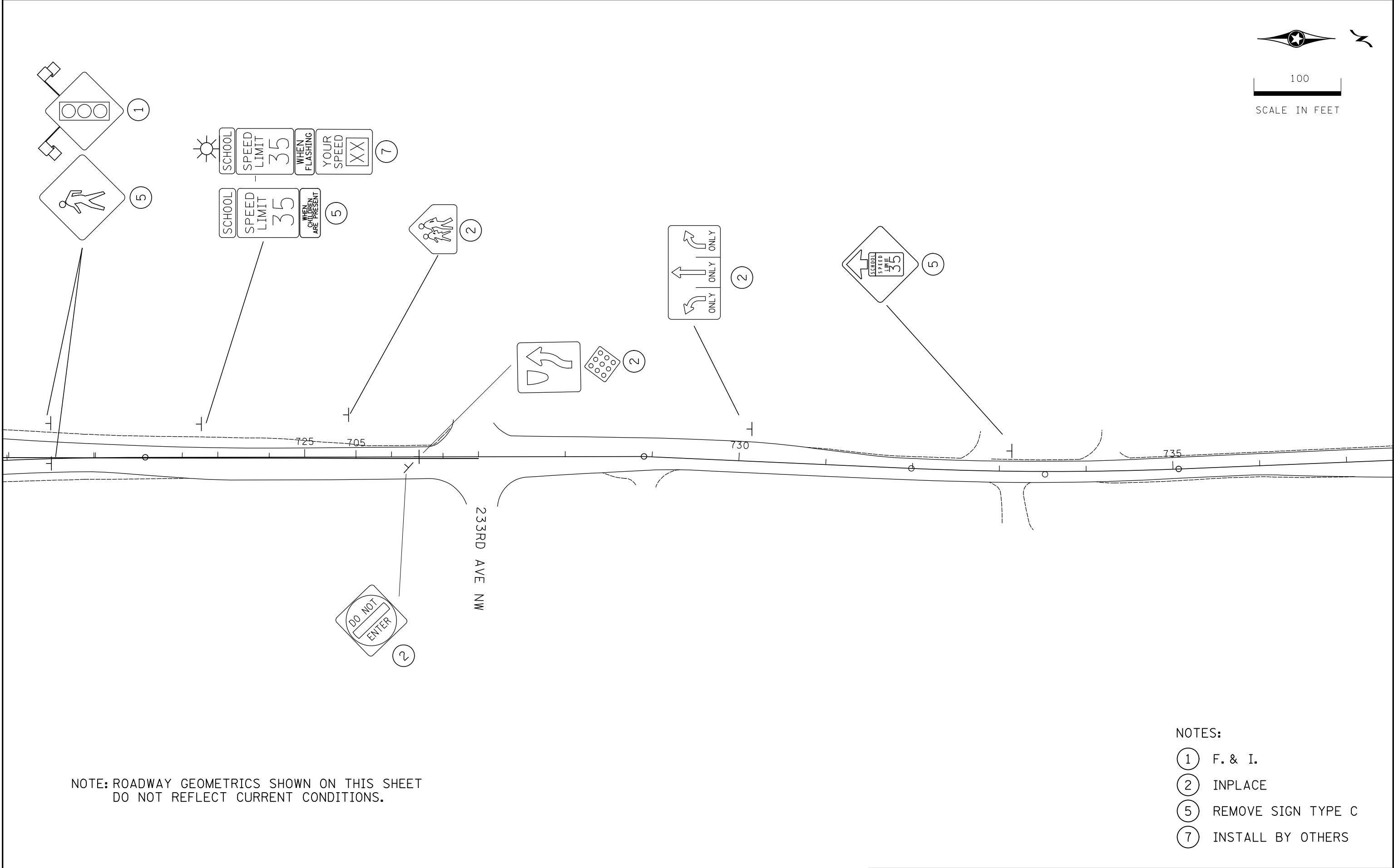


PLOTTED/REVISED: 25-APR-2019

DISTRICT #: Metro
 I/PLOT NAME: W02019021psi
 PATH & FILENAME: Projects\DM_ROS\047\0206\000\Traffic\WorkOrders\W02019021\St Francis\W02019021psi.dgn



NOTE: ROADWAY GEOMETRICS SHOWN ON THIS SHEET DO NOT REFLECT CURRENT CONDITIONS.

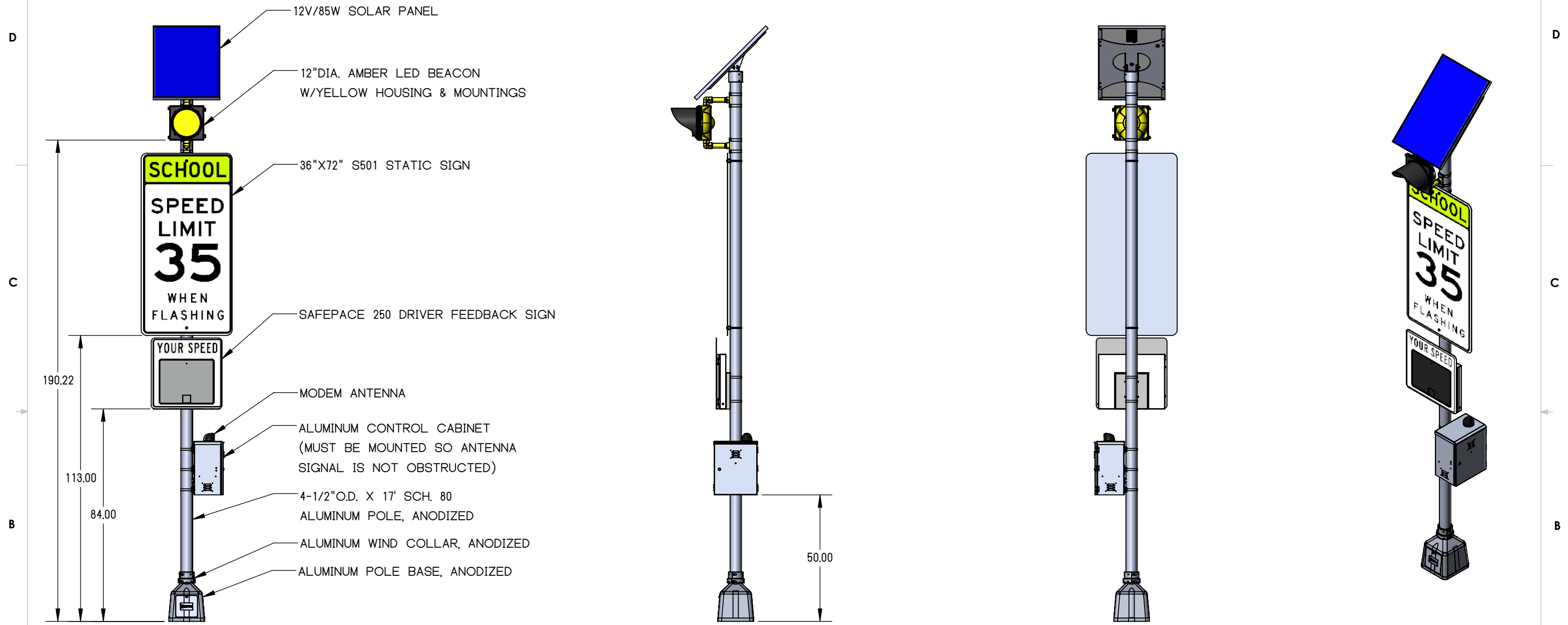
- NOTES:
- ① F. & I.
 - ② INPLACE
 - ⑤ REMOVE SIGN TYPE C
 - ⑦ INSTALL BY OTHERS

WORK ORDER NO. 2019021			STATE PROJ. NO.
DRAWN BY: BAC	CHECKED BY: MAW	CERTIFIED BY _____ LIC. NO. <u>51660</u> DATE _____	SHEET NO. 5 OF 6 SHEETS

LICENSED PROFESSIONAL ENGINEER

8 7 6 5 4 3 2 1

REVISIONS				
REV.	DESCRIPTION	DATE	CC #	AUTHOR/APPROVED
A	RELEASED FOR SUBMITTAL	3/27/2019	N/A	A.EK./J.R.P.



A

- NOTES:**
1. ORIENT SOLAR PANEL TOWARDS SOUTHERN SKY FOR MAXIMUM SOLAR EXPOSURE
 2. CONTROL CABINET HEIGHT MAY VARY.
 3. SNAP LOCKS ARE PROVIDED, STANDARD 3/4" S/S BANDING IS RECOMMENDED
 4. J-BOLTS NOT SHOWN
 5. ALL DIMENSIONS ARE FOR REFERENCE ONLY.



S:\BLINKERSIGNR&D\TAPCO IN HOUSE ENGINEERING\DRAWINGS\SALES DRAWINGS (2TE-XXX)\NATIVE FORMAT (INVENTOR-SOLIDWORKS)

MATERIAL		INTERPRET GEOMETRIC TOLERANCING PER: ASME Y14.5-2009
FINISH		REFERENCE: Q1902634

TOLERANCE UNLESS OTHERWISE SPECIFIED		TITLE:			
HOLE ϕ	± 0.03	SOLAR DRIVER FEEDBACK BLINKER BEACON WARNING 17 FT POLE ARRANGEMENT			
DEC.	INCH	DESIGNED BY:	SIZE	DWG. NO.	REV
X	± 0.030	DRAWN BY: A. KAVANAUGH	B	2TE-1384	A
XX	± 0.015	CHECKED BY: J. PATTERSON			
XXX	± 0.005				
ANGULAR	$\pm 0.5^\circ$				WEIGHT:
		PROPRIETARY AND CONFIDENTIAL THE INFORMATION CONTAINED IN THIS DRAWING IS THE SOLE PROPERTY OF TAPCO. ANY REPRODUCTION IN PART OR AS A WHOLE WITHOUT THE WRITTEN PERMISSION OF TAPCO IS PROHIBITED.		SCALE: 1:38	
				SHEET 2 OF 3	

8 7 6 5 4 3 2 1