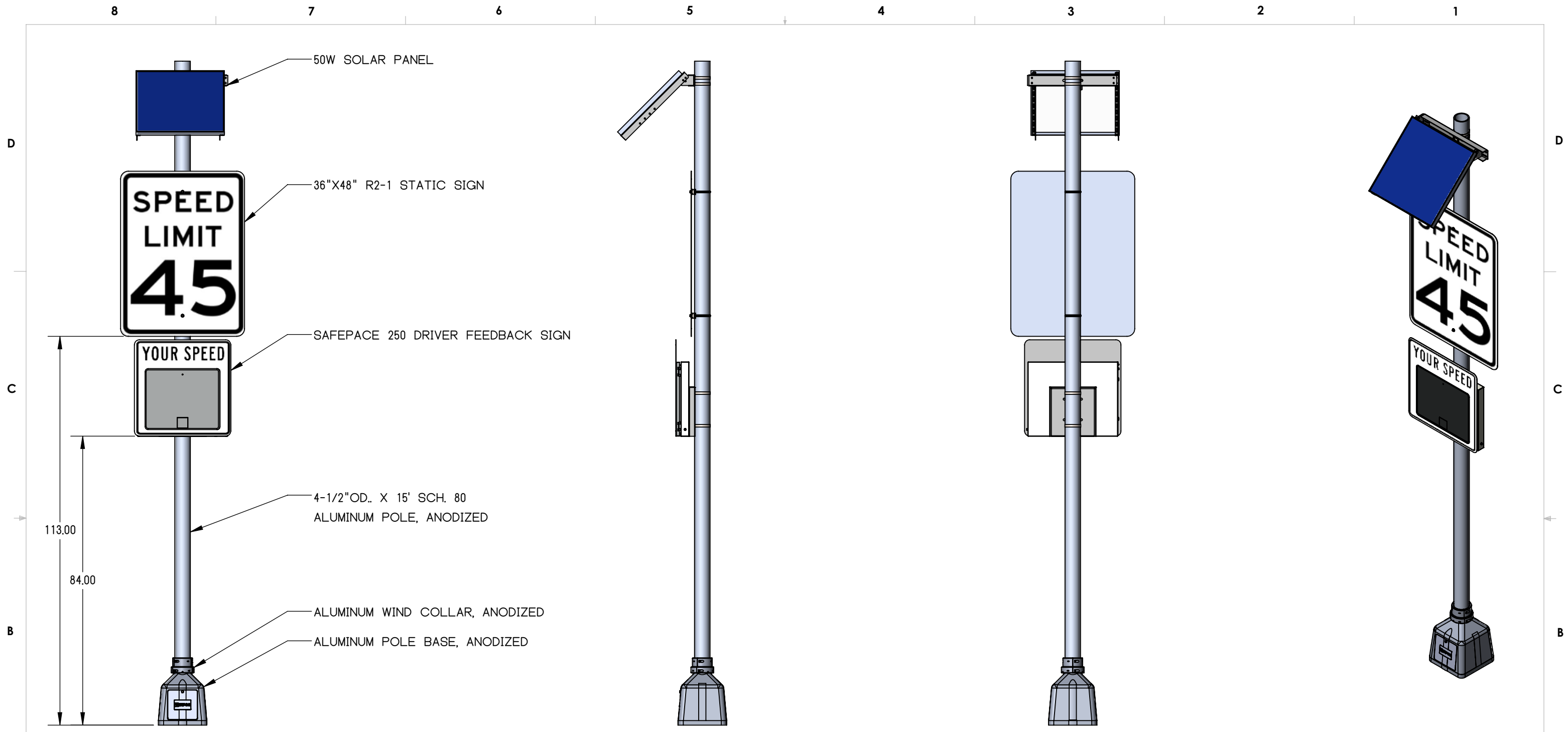


ST. FRANCIS PUBLIC WORKS

- NOTES:
- ② INPLACE
 - ③ SALVAGE
 - ⑤ REMOVE SIGN TYPE C
 - ⑦ INSTALL BY OTHERS



- NOTES:**
1. ORIENT SOLAR PANEL TOWARDS SOUTHERN SKY FOR MAXIMUM SOLAR EXPOSURE
 2. CONTROL CABINET HEIGHT MAY VARY.
 3. SNAP LOCKS ARE PROVIDED, STANDARD 3/4" S/S BANDING IS RECOMMENDED
 4. J-BOLTS NOT SHOWN
 5. ALL DIMENSIONS ARE FOR REFERENCE ONLY.

TAPCO
TRAFFIC & PARKING CONTROL CO., INC.

MATERIAL		INTERPRET GEOMETRIC TOLERANCING PER: ASME Y14.5-2009
FINISH		REFERENCE: Q1902634

TOLERANCE UNLESS OTHERWISE SPECIFIED		TITLE:				
HOLE \varnothing	± 0.03	SOLAR DRIVER FEEDBACK POLE ARRANGEMENT				
DEC.	INCH					
X	± 0.030					
XX	± 0.015					
XXX	± 0.005					
ANGULAR	$\pm 0.5^\circ$	DESIGNED BY:	SIZE	DWG. NO.	REV	WEIGHT:
		DRAWN BY: A. KAVANAUGH	B	2TE-1384	A	
		CHECKED BY: J. PATTERSON				SCALE: 1:28
PROPRIETARY AND CONFIDENTIAL THE INFORMATION CONTAINED IN THIS DRAWING IS THE SOLE PROPERTY OF TAPCO. ANY REPRODUCTION IN PART OR AS A WHOLE WITHOUT THE WRITTEN PERMISSION OF TAPCO IS PROHIBITED.						SHEET 3 OF 3