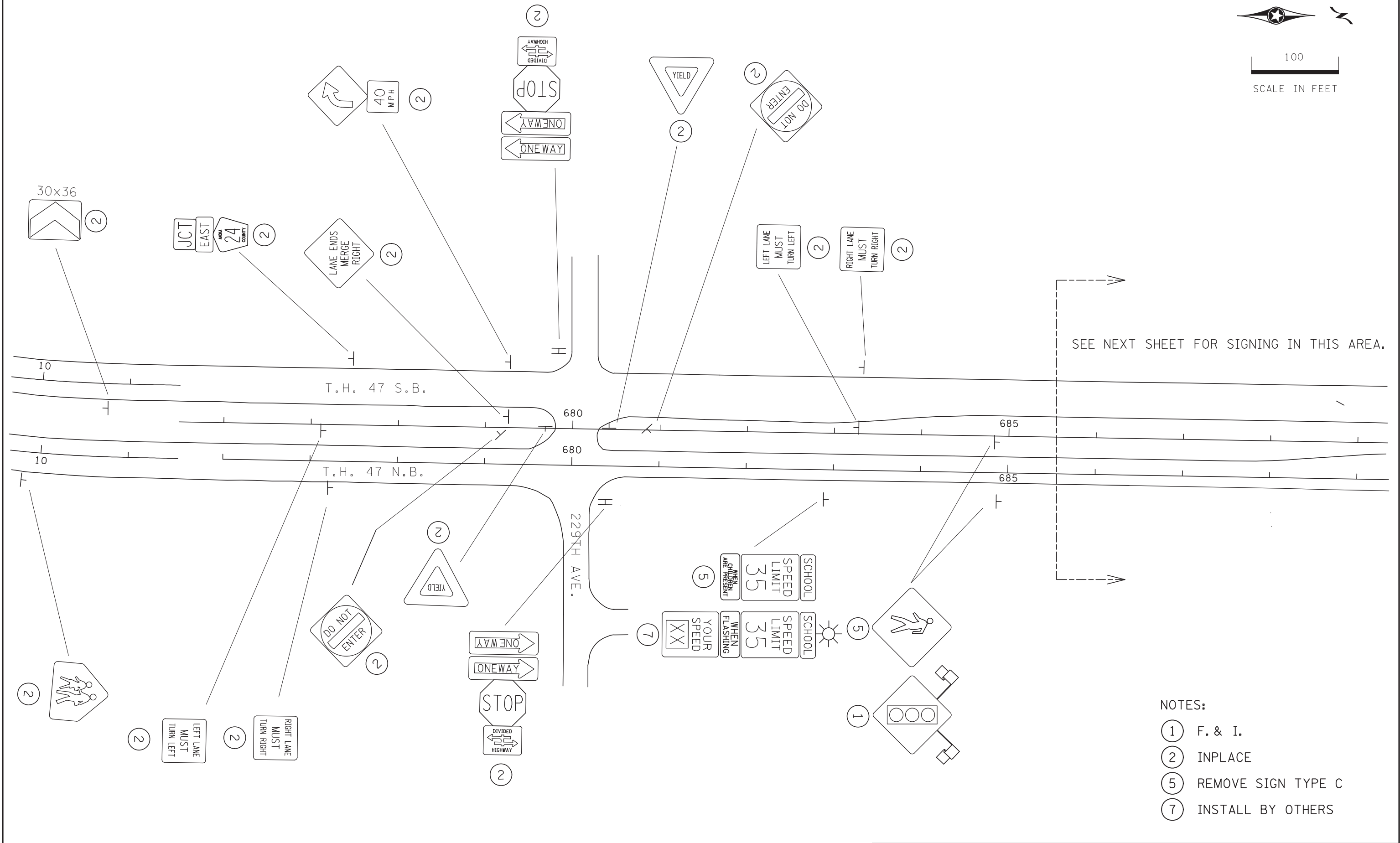
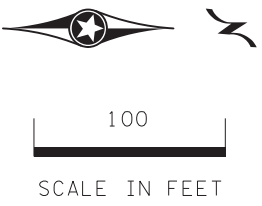


DISTRICT #: Metro  
 IPLOT NAME: W02019021psi  
 PATH & FILENAME: Projects\DM\_ROS\04\0206\0001\Traffic\WorkOrders\W02019021 St Francis\W02019021psi.dgn

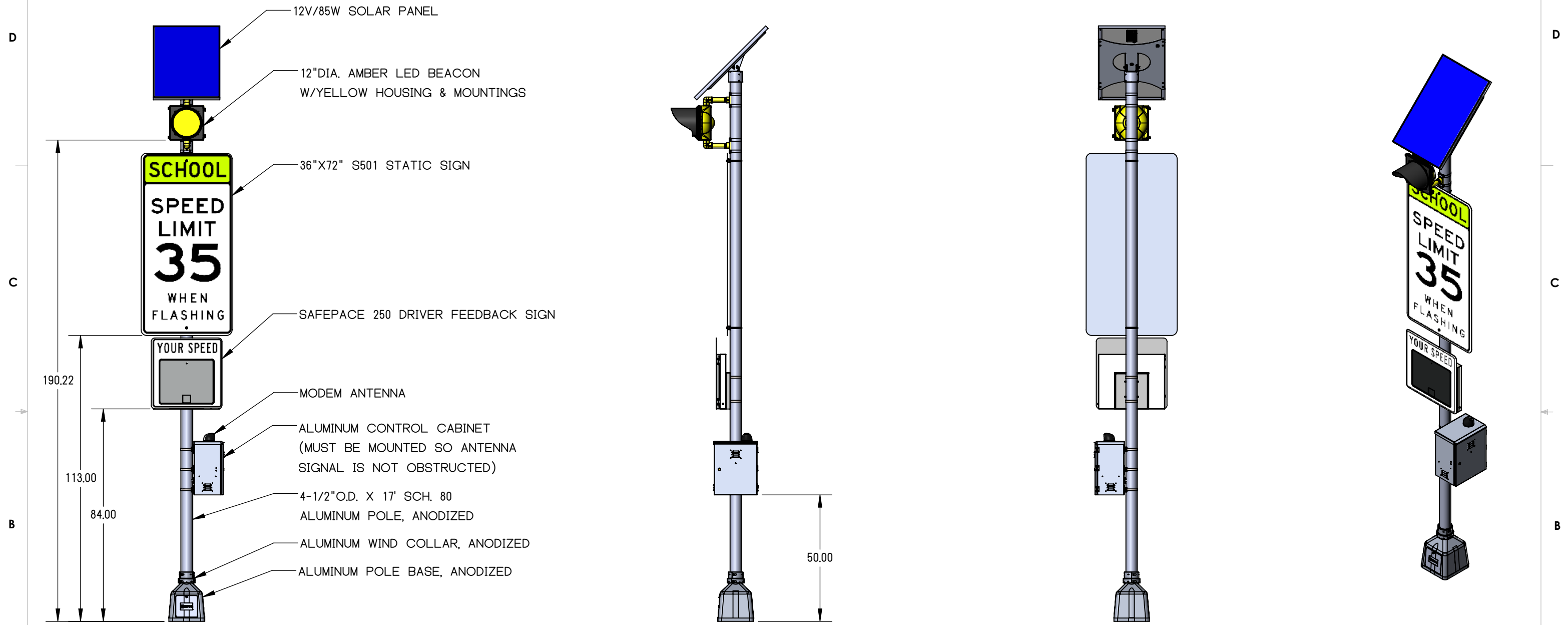
PLOTTED/REVISED: 25-APR-2019



- NOTES:
- ① F. & I.
  - ② INPLACE
  - ⑤ REMOVE SIGN TYPE C
  - ⑦ INSTALL BY OTHERS

8 7 6 5 4 3 2 1

REVISIONS				
REV.	DESCRIPTION	DATE	CC #	AUTHOR/APPROVED
A	RELEASED FOR SUBMITTAL	3/27/2019	N/A	A.EK./J.R.P.



- NOTES:**
1. ORIENT SOLAR PANEL TOWARDS SOUTHERN SKY FOR MAXIMUM SOLAR EXPOSURE
  2. CONTROL CABINET HEIGHT MAY VARY.
  3. SNAP LOCKS ARE PROVIDED, STANDARD 3/4" S/S BANDING IS RECOMMENDED
  4. J-BOLTS NOT SHOWN
  5. ALL DIMENSIONS ARE FOR REFERENCE ONLY.



MATERIAL		INTERPRET GEOMETRIC TOLERANCING PER: ASME Y14.5-2009
FINISH		REFERENCE: Q1902634

TOLERANCE UNLESS OTHERWISE SPECIFIED		TITLE: SOLAR DRIVER FEEDBACK BLINKER BEACON WARNING 17 FT POLE ARRANGEMENT			
HOLE $\phi$	$\pm 0.03$	DESIGNED BY:		SIZE	DWG. NO.
DEC.	INCH	DRAWN BY:	A. KAVANAUGH	B	2TE-1384
X	$\pm 0.030$	CHECKED BY:	J. PATTERSON		
XX	$\pm 0.015$			REV	WEIGHT:
XXX	$\pm 0.005$			A	SCALE: 1:38
ANGULAR	$\pm 0.5^\circ$	PROPRIETARY AND CONFIDENTIAL THE INFORMATION CONTAINED IN THIS DRAWING IS THE SOLE PROPERTY OF TAPCO. ANY REPRODUCTION IN PART OR AS A WHOLE WITHOUT THE WRITTEN PERMISSION OF TAPCO IS PROHIBITED.			SHEET 2 OF 3