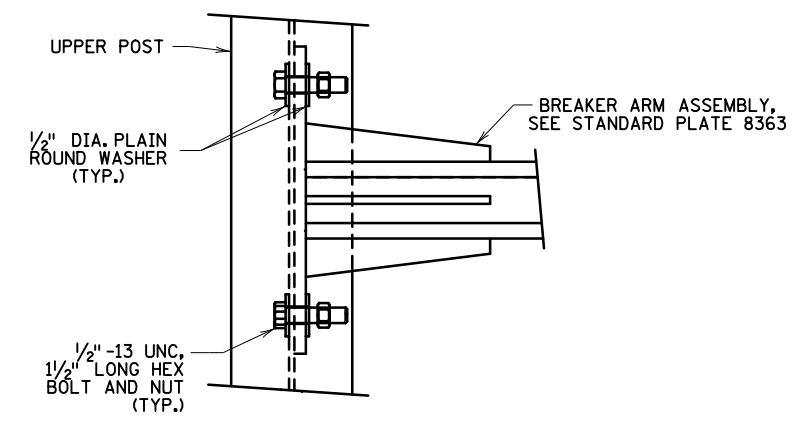
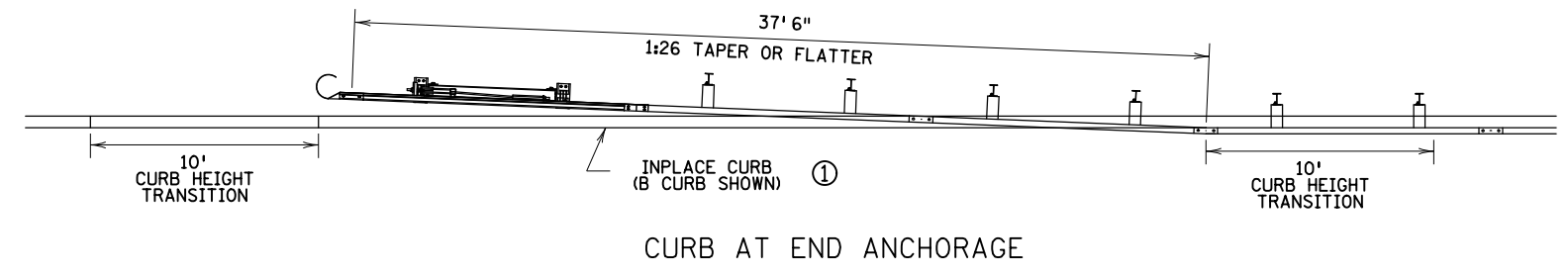
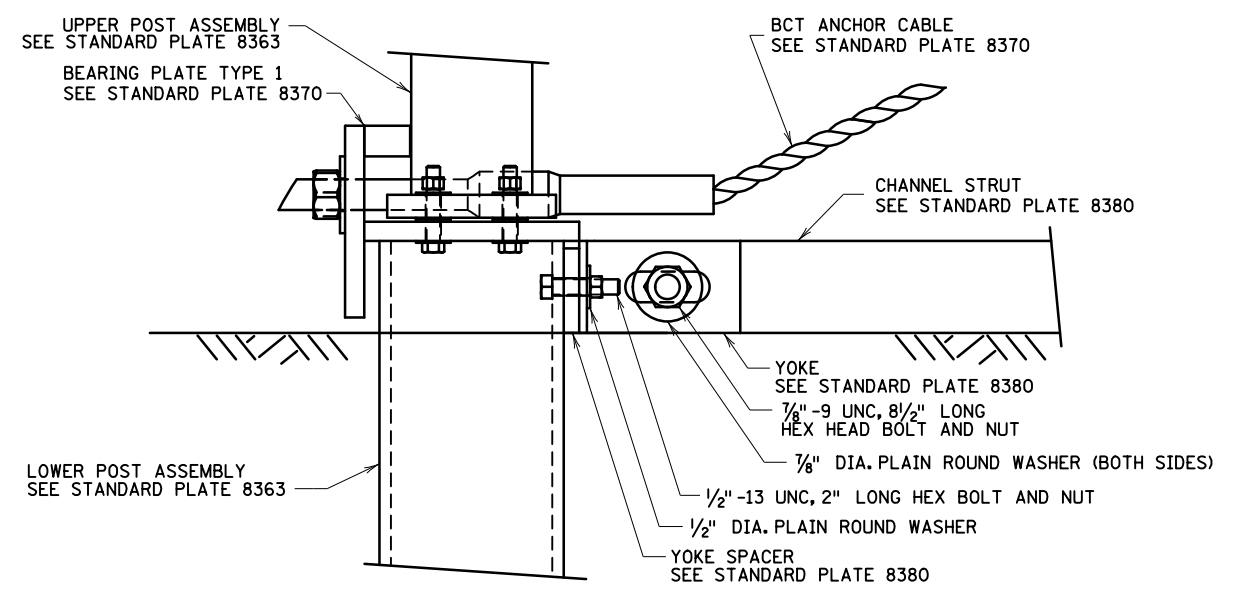


END RAIL DETAIL



BREAKER ARM ASSEMBLY CONNECTION AT POST



POST 1 CABLE/YOKE ASSEMBLY

NOTES:
 ALL RAIL AND HARDWARE COMPONENTS IN ACCORDANCE WITH AASHTO SPEC. M 180.
 ① WHERE INPLACE CURB HEIGHT IS GREATER THAN 4" MILL TO 3" HEIGHT (INCIDENTAL). PROVIDE 10' CURB HEIGHT TRANSITIONS AS SHOWN.

LEAD EXPERT OFFICE
 NANCY YOO
 DESIGN SUPPORT DIRECTOR
 OFFICE OF PROJECT MANAGEMENT & TECHNICAL SUPPORT



TRAFFIC BARRIER TYPE 31 END ANCHORAGE
 ASSEMBLY DETAILS

APPROVED: 02-09-2023
 REVISED:

Tom Styrbicki
 THOMAS STYRBICKI
 STATE DESIGN ENGINEER

STANDARD PLAN
 5-297.692

1 OF 1

STANDARD PLAN

STATE PROJ. NO. SHEET NO.
 TRUNK HWY. TOTAL SHEETS