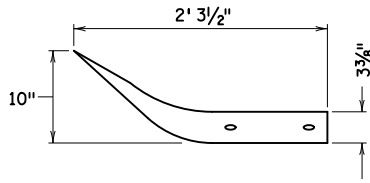
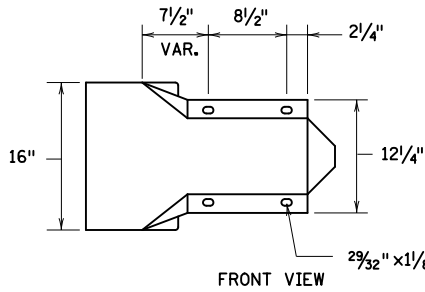


FRONT VIEW

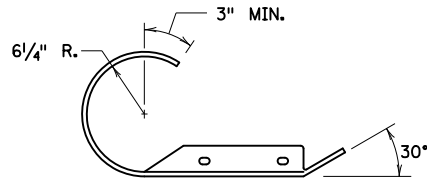


PLAN VIEW

FLARED END SECTION

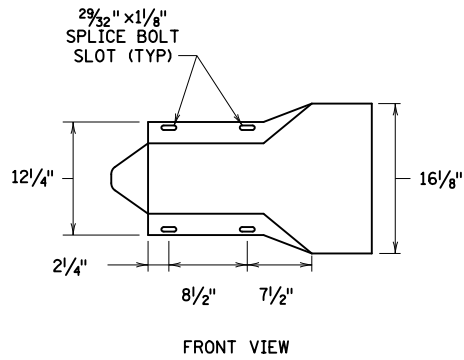


FRONT VIEW

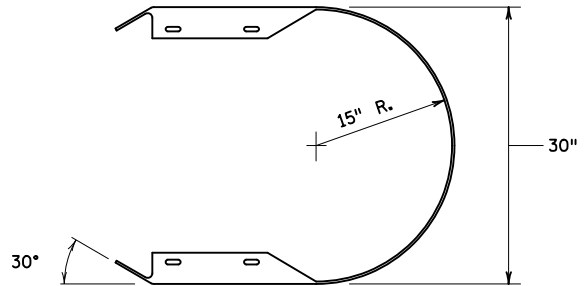


PLAN VIEW

ROUNDED END SECTION



FRONT VIEW



PLAN VIEW

BUFFER END SECTION

NOTE:
ALL END SECTIONS IN ACCORDANCE WITH AASTHO M180.

APPROVED 02-09-2023

Rom S. J.
STATE DESIGN ENGINEER

STATE OF MINNESOTA
DEPARTMENT OF TRANSPORTATION
W-BEAM END SECTION

SPECIFICATION
REFERENCE
3382

STANDARD
PLATE
NO.
8354A