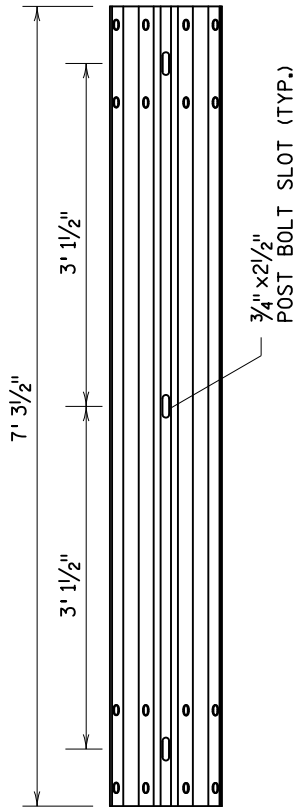
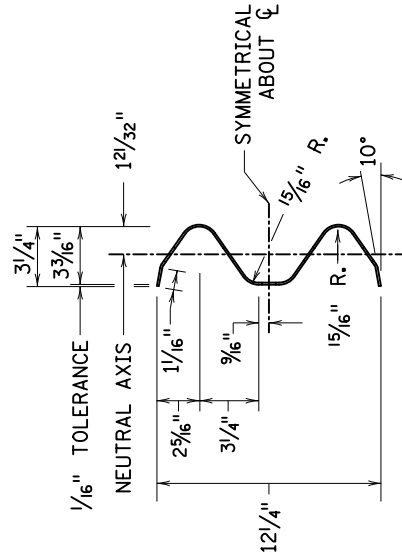


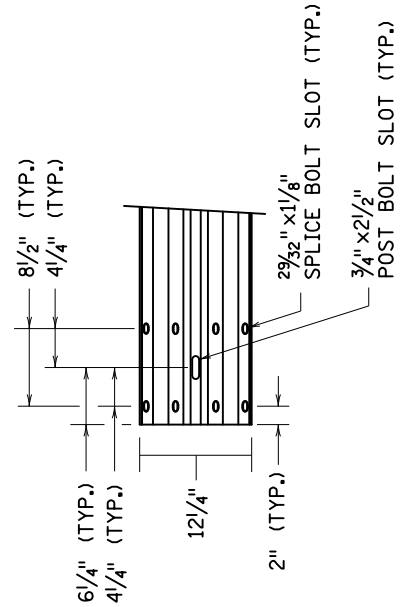
12' 6" OR 25' W-BEAM RAIL - 1/2 POST SPACING



6' 3" W-BEAM RAIL - 1/2 POST SPACING



W-BEAM RAIL CROSS SECTION



W-BEAM RAIL
SPLICE BOLT/POST BOLT DETAIL

NOTES:

PLATE BEAM GUARDRAIL IN ACCORDANCE WITH AASHTO SPEC. M 180.
POST BOLT SLOT SPACING OF 1' 6 3/4" (1/4 POST SPACING) IS ACCEPTABLE.
GALVANIZE IN ACCORDANCE WITH ASTM A123.

APPROVED 02-09-2023

Rom Sja
STATE DESIGN ENGINEER

STATE OF MINNESOTA
DEPARTMENT OF TRANSPORTATION
W-BEAM GUARDRAIL

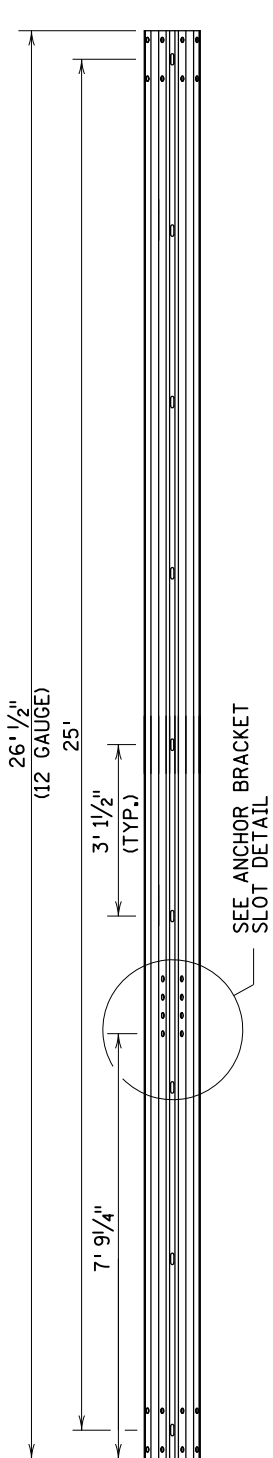
SPECIFICATION
REFERENCE

3382

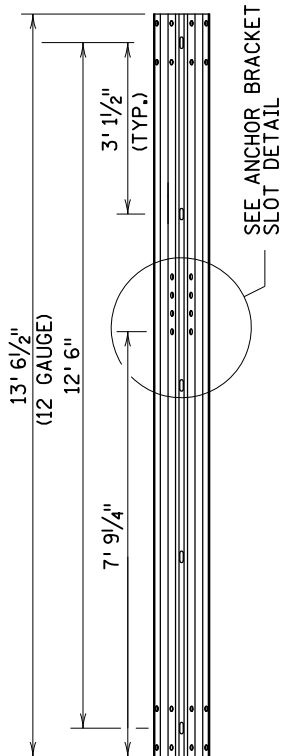
STANDARD
PLATE
NO.

8355B

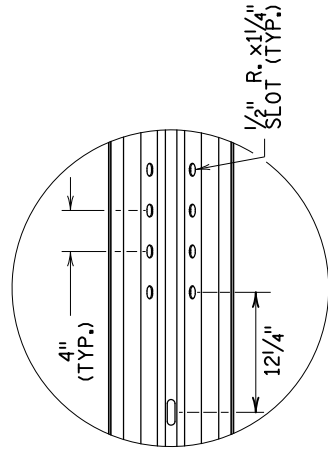
1 OF 2



25' W-BEAM END RAIL



12' 6" W-BEAM END RAIL



ANCHOR BRACKET SLOT DETAIL

NOTES:
 PLATE BEAM GUARDRAIL IN ACCORDANCE WITH AASHTO SPEC. M 180.
 GALVANIZE IN ACCORDANCE WITH ASTM A123.

APPROVED 02-09-2023

 STATE DESIGN ENGINEER

STATE OF MINNESOTA
 DEPARTMENT OF TRANSPORTATION
W-BEAM GUARDRAIL

SPECIFICATION
 REFERENCE
 3382

STANDARD
 PLATE
 NO.
8355B
 2 OF 2