

NOTES:  
 CONNECTION HARDWARE NOT SHOWN IN SECTIONS A-A AND B-B FOR CLARITY.  
 LOWER POST ASSEMBLY NOT SHOWN IN SECTION D-D FOR CLARITY.  
 TORQUE VERTICAL THROUGH-BOLTS TO 60-75 FT-LB.  
 ALL STRUCTURAL STEEL GALVANIZED IN ACCORDANCE WITH ASTM A123.

APPROVED 02-09-2023

*Rom S. Jha*

STATE DESIGN ENGINEER

STATE OF MINNESOTA  
 DEPARTMENT OF TRANSPORTATION

**STEEL POST TRAILING-END ANCHOR**  
 ANCHOR POST ASSEMBLY

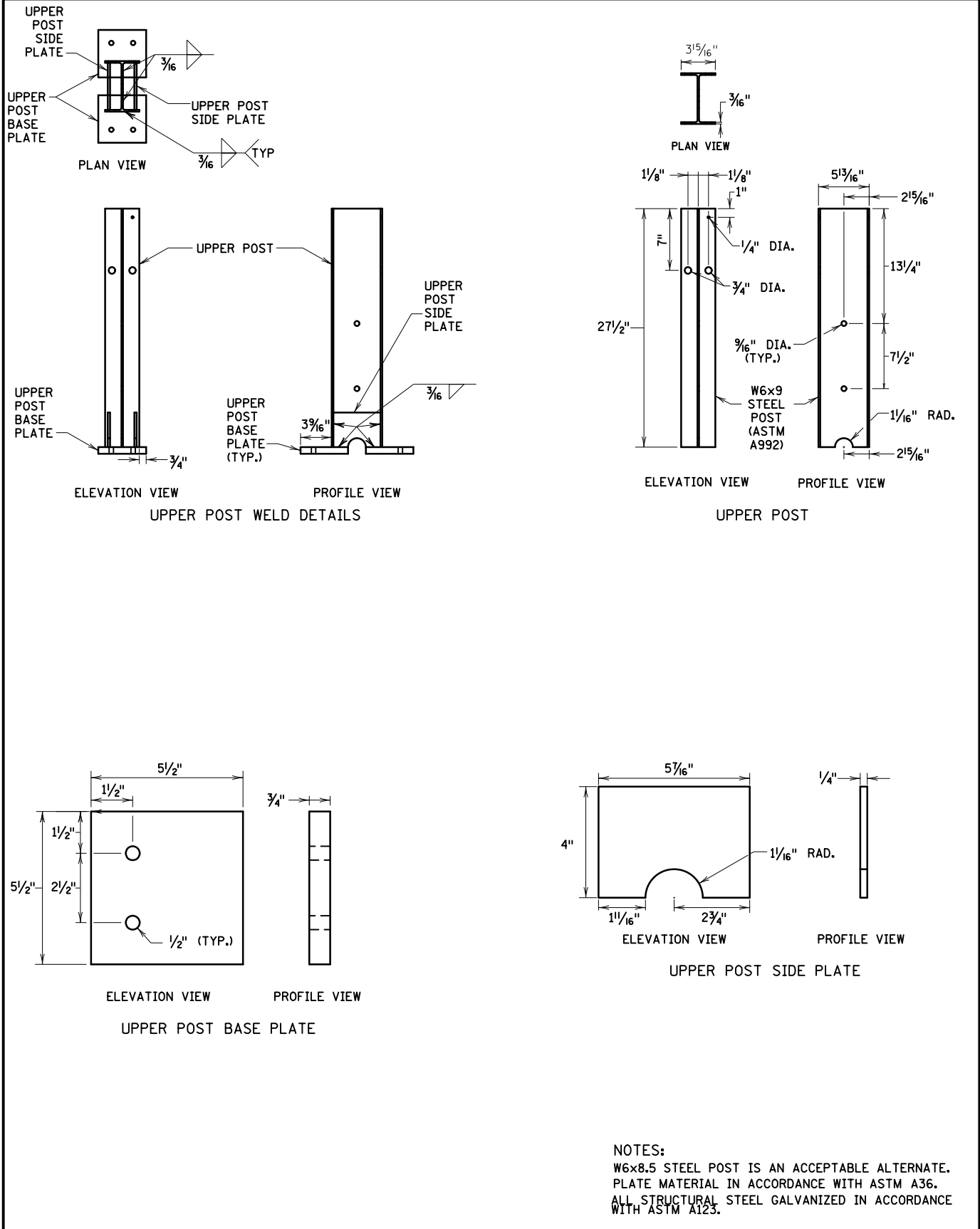
SPECIFICATION  
 REFERENCE

3306  
 3394

STANDARD  
 PLATE  
 NO.

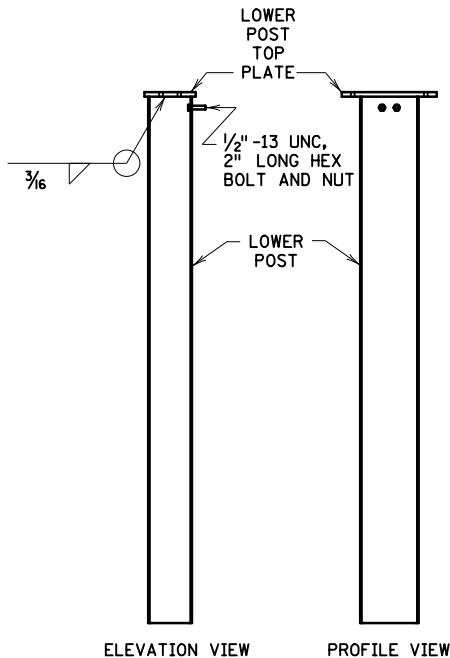
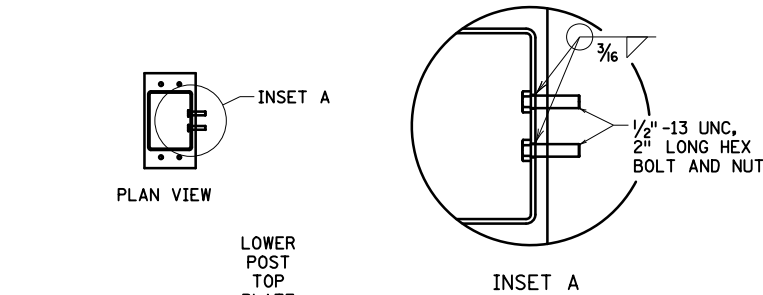
**8363A**

1 OF 5



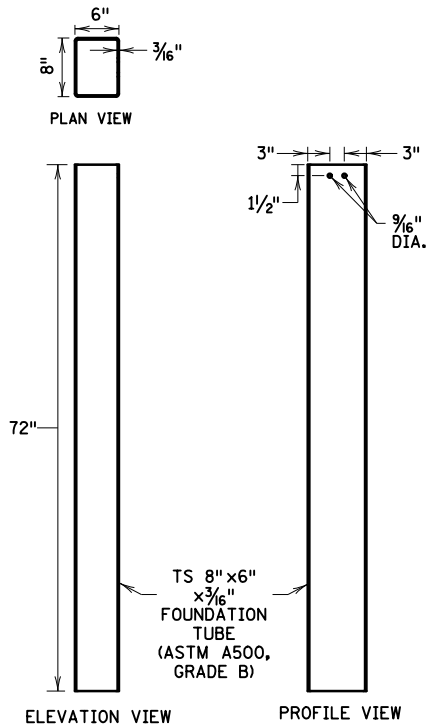
NOTES:  
 W6x8.5 STEEL POST IS AN ACCEPTABLE ALTERNATE.  
 PLATE MATERIAL IN ACCORDANCE WITH ASTM A36.  
 ALL STRUCTURAL STEEL GALVANIZED IN ACCORDANCE WITH ASTM A123.

APPROVED <u>02-09-2023</u>  STATE DESIGN ENGINEER	STATE OF MINNESOTA DEPARTMENT OF TRANSPORTATION <b>STEEL POST TRAILING-END ANCHOR</b> UPPER POST DETAILS	SPECIFICATION REFERENCE 3306 3394	STANDARD PLATE NO. <b>8363A</b> 2 OF 5
---	---	--	--



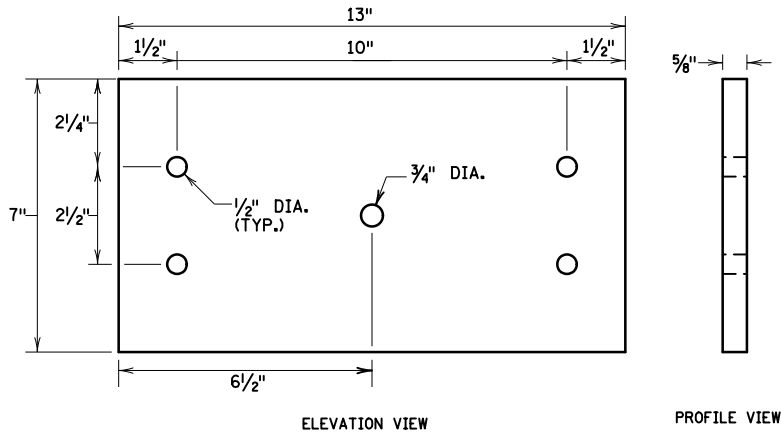
ELEVATION VIEW PROFILE VIEW

LOWER POST WELD DETAILS



ELEVATION VIEW PROFILE VIEW

LOWER POST



ELEVATION VIEW

PROFILE VIEW

LOWER POST TOP PLATE

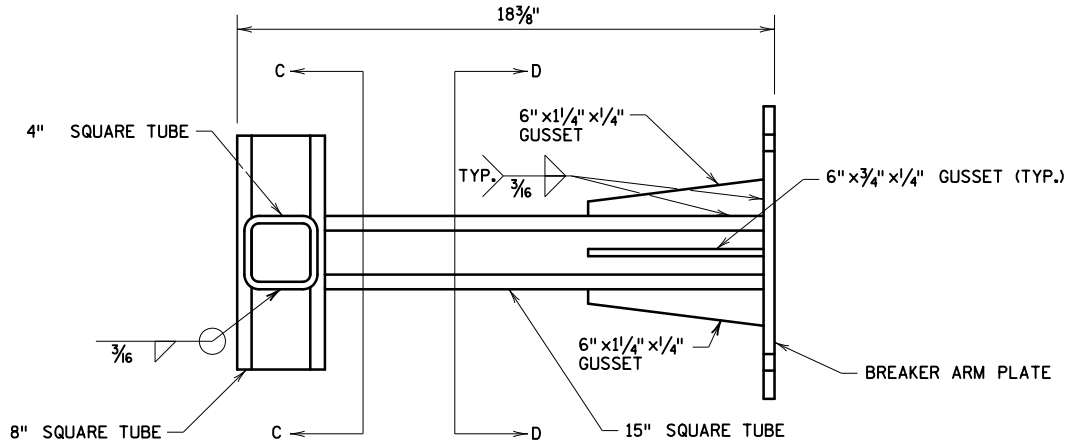
NOTES:  
 PLATE MATERIAL IN ACCORDANCE WITH ASTM A36.  
 ALL STRUCTURAL STEEL GALVANIZED IN ACCORDANCE WITH ASTM A123.

APPROVED 02-09-2023  
  
 STATE DESIGN ENGINEER

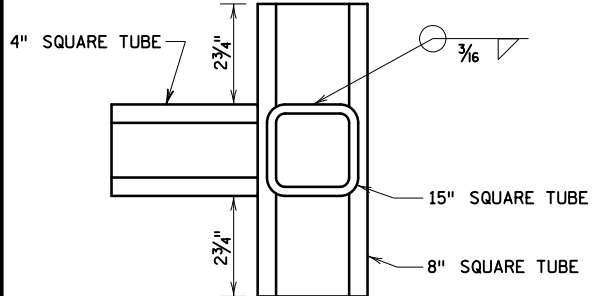
STATE OF MINNESOTA  
 DEPARTMENT OF TRANSPORTATION  
**STEEL POST TRAILING-END ANCHOR**  
 LOWER POST DETAILS

SPECIFICATION REFERENCE  
 3306  
 3394

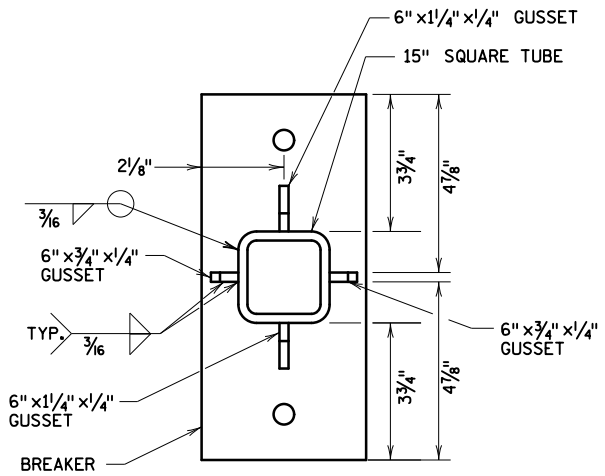
STANDARD PLATE NO.  
**8363A**  
 3 OF 5



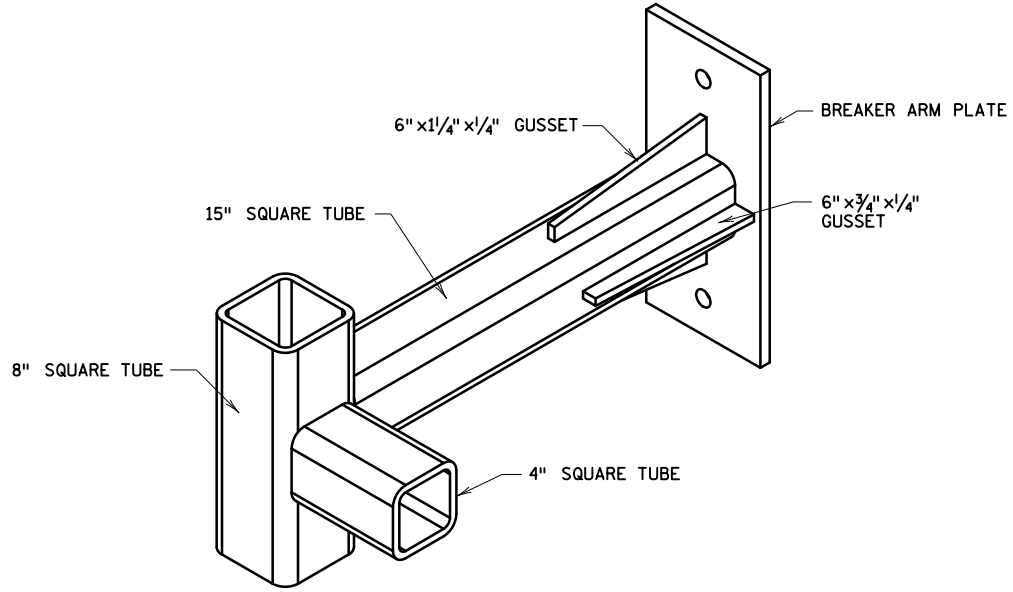
BACKSIDE VIEW



SECTION C-C



SECTION D-D



ISOMETRIC VIEW

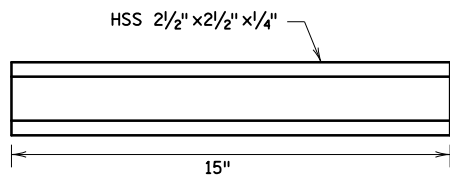
NOTE:  
ALL STRUCTURAL STEEL GALVANIZED IN ACCORDANCE WITH ASTM A123.

APPROVED 02-09-2023  
*Rom S. J.*  
STATE DESIGN ENGINEER

STATE OF MINNESOTA  
DEPARTMENT OF TRANSPORTATION  
**STEEL POST TRAILING-END ANCHOR**  
BREAKER ARM ASSEMBLY

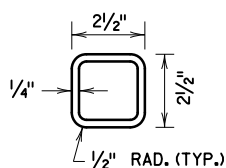
SPECIFICATION  
REFERENCE  
3306  
3394

STANDARD  
PLATE  
NO.  
**8363A**  
4 OF 5

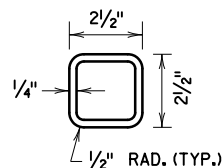


ELEVATION VIEW

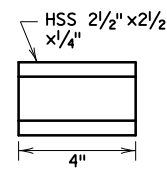
15" SQUARE TUBE



PROFILE VIEW

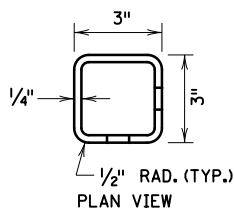


PROFILE VIEW

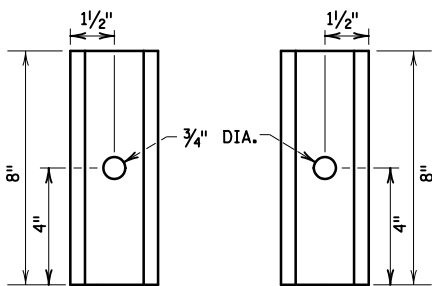


ELEVATION VIEW

4" SQUARE TUBE



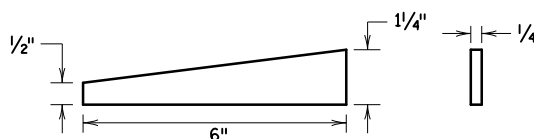
PLAN VIEW



SIDE VIEW

ELEVATION VIEW

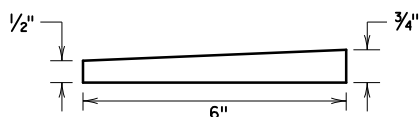
8" SQUARE TUBE



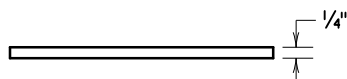
ELEVATION VIEW

PROFILE VIEW

6" x 1/4" x 1/4" GUSSET

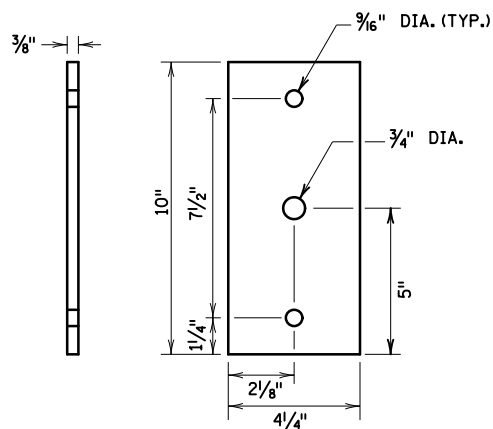


PLAN VIEW



ELEVATION VIEW

6" x 3/4" x 1/4" GUSSET



ELEVATION VIEW

PROFILE VIEW

BREAKER ARM PLATE

NOTES:  
 SQUARE TUBE MATERIAL IN ACCORDANCE WITH ASTM A500, GRADE B.  
 GUSSET MATERIAL IN ACCORDANCE WITH ASTM A36.  
 ALL STRUCTURAL STEEL GALVANIZED IN ACCORDANCE WITH ASTM A123.

APPROVED 02-09-2023  
  
 STATE DESIGN ENGINEER

STATE OF MINNESOTA  
 DEPARTMENT OF TRANSPORTATION  
**STEEL POST TRAILING-END ANCHOR**  
 BREAKER ARM COMPONENTS

SPECIFICATION  
 REFERENCE  
 3306  
 3394

STANDARD  
 PLATE  
 NO.  
**8363A**  
 5 OF 5