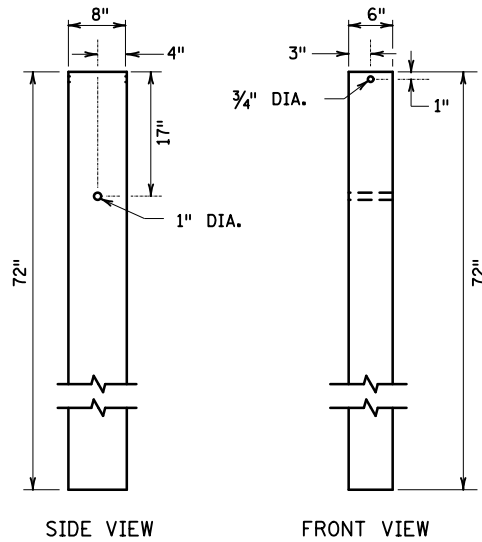
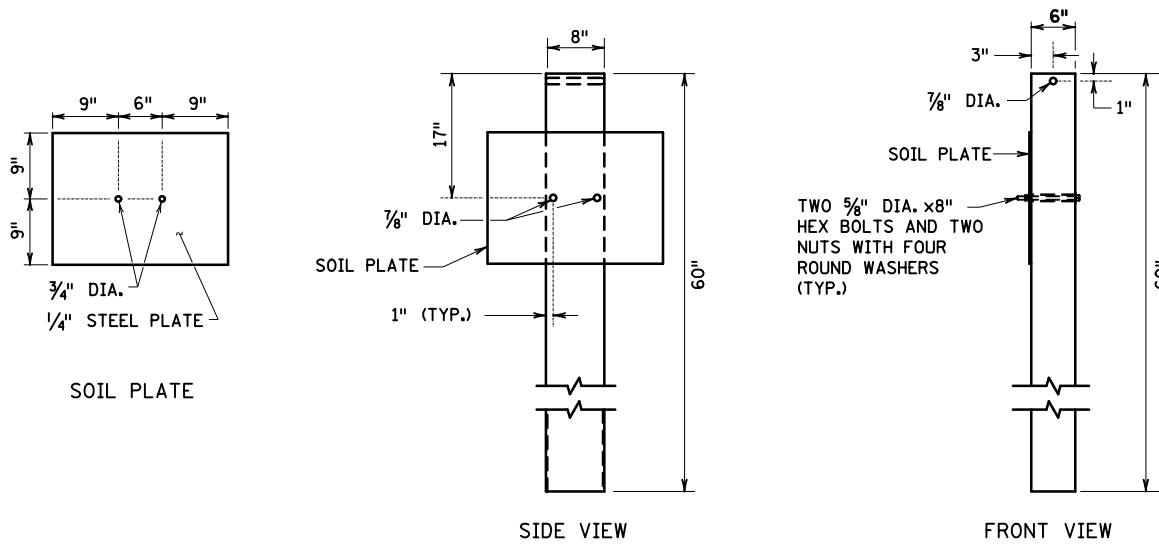


BCT FOUNDATION TUBE TYPE 1  
96" FOUNDATION TUBE



BCT FOUNDATION TUBE TYPE 2  
72" FOUNDATION TUBE



BCT FOUNDATION TUBE TYPE 3  
60" FOUNDATION TUBE WITH SOIL PLATE

NOTES:  
HSS 6" x 8" x 3/16" STEEL TUBING.  
MATERIAL SPECIFICATION IN ACCORDANCE WITH ASTM A500, GRADE B.  
GALVANIZATION SPECIFICATION PER ASTM A123.

APPROVED 02-09-2023  
*Ron Sja*  
STATE DESIGN ENGINEER

STATE OF MINNESOTA  
DEPARTMENT OF TRANSPORTATION  
**BCT FOUNDATION TUBE**

SPECIFICATION  
REFERENCE  
3361  
3394

STANDARD  
PLATE  
NO.  
**8366B**