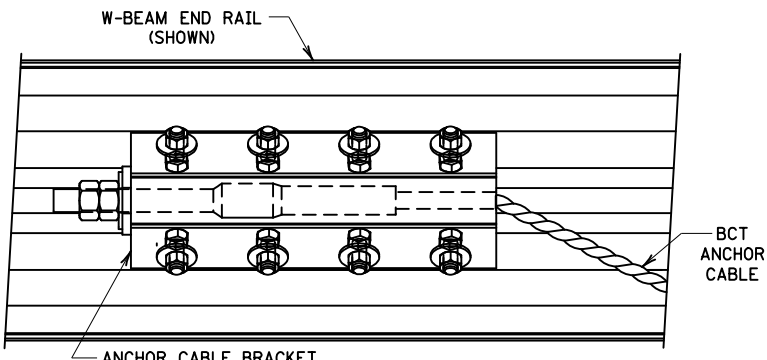
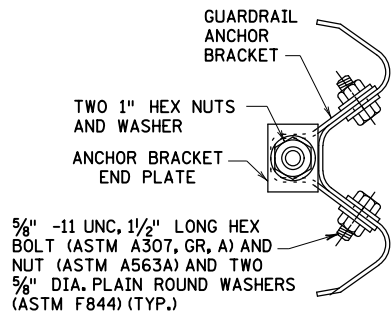


ANCHOR CABLE BRACKET

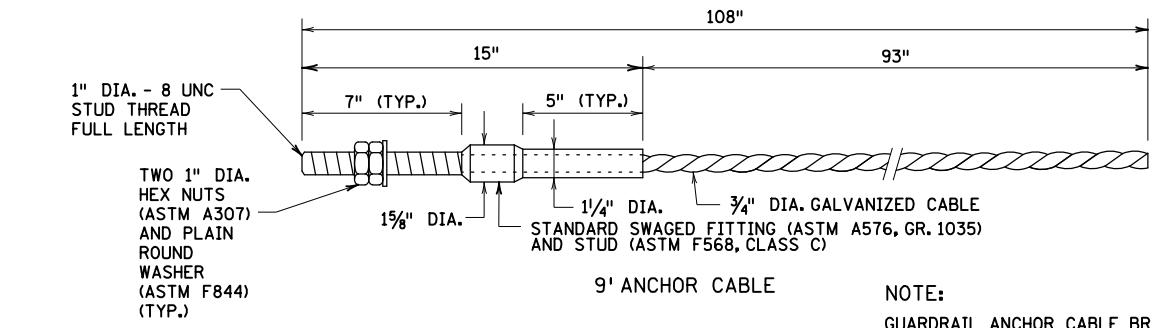
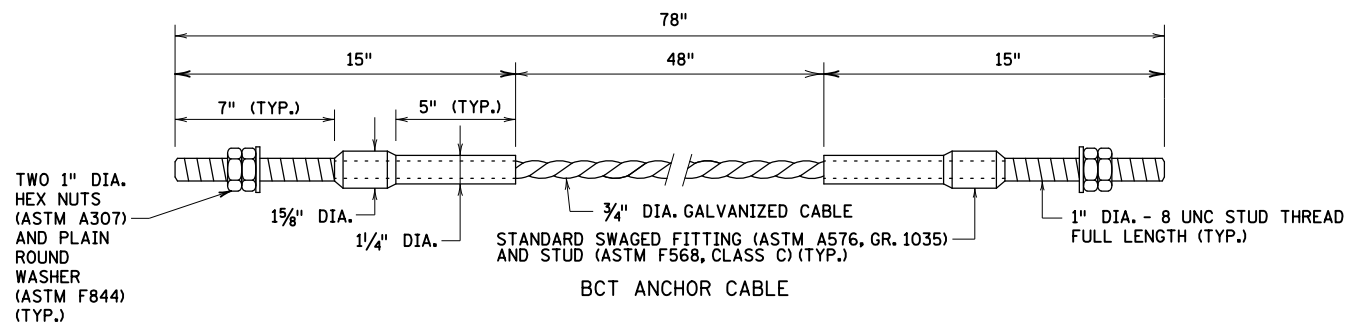
END PLATE



END VIEW

BACK VIEW

ANCHOR CABLE BRACKET/ANCHOR CABLE ASSEMBLY



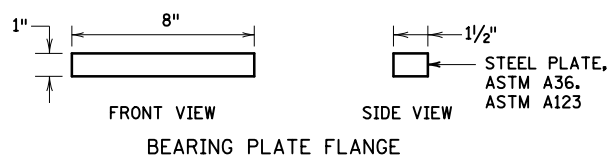
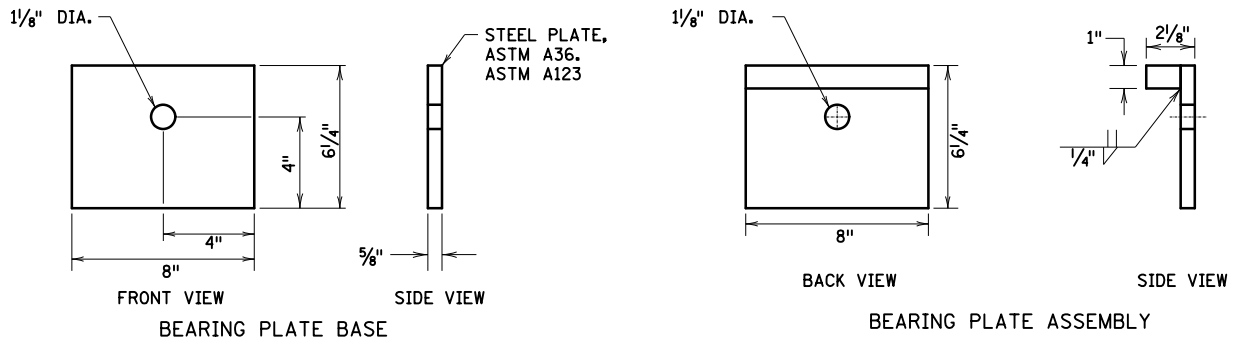
NOTE:
GUARDRAIL ANCHOR CABLE BRACKET IN ACCORDANCE WITH ASTM A36 AND ASTM A123.

APPROVED 02-09-2023
Rom Sja
STATE DESIGN ENGINEER

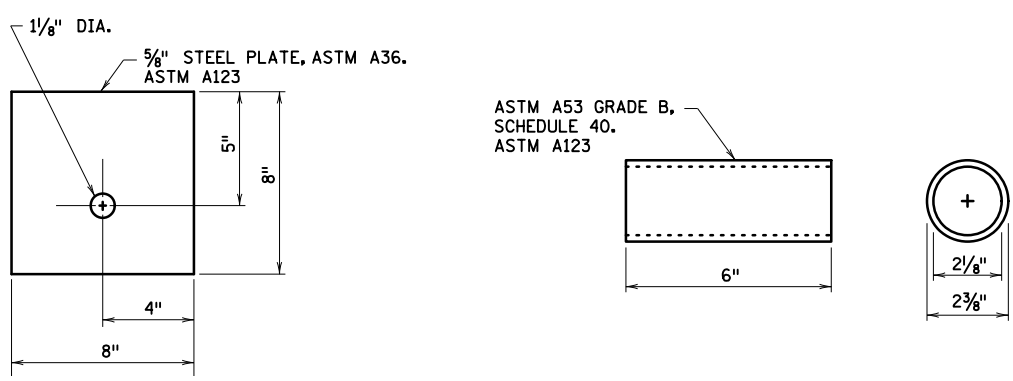
STATE OF MINNESOTA
DEPARTMENT OF TRANSPORTATION
GUARDRAIL ANCHOR COMPONENTS
ANCHOR CABLE AND ANCHOR CABLE BRACKET

SPECIFICATION REFERENCE
3306
3362
3381
3394

STANDARD PLATE NO.
8370B
1 OF 2



BEARING PLATE TYPE 1
(FOR STEEL POST TRAILING END ANCHOR)



APPROVED 02-09-2023

Rom S...

STATE DESIGN ENGINEER

STATE OF MINNESOTA
DEPARTMENT OF TRANSPORTATION

GUARDRAIL ANCHOR COMPONENTS
COMPONENT AND ASSEMBLY DETAILS

SPECIFICATION REFERENCE

3306
3362
3381
3394

STANDARD PLATE NO.

8370B

2 OF 2