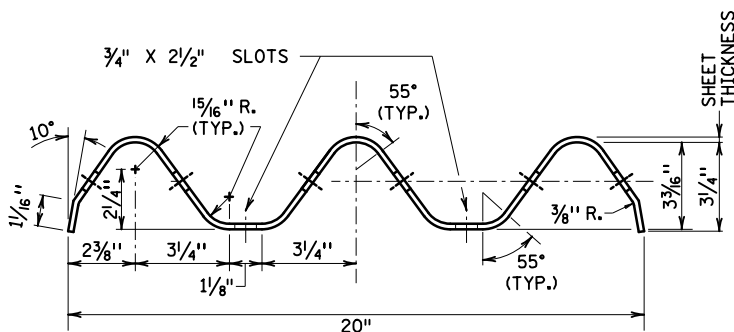
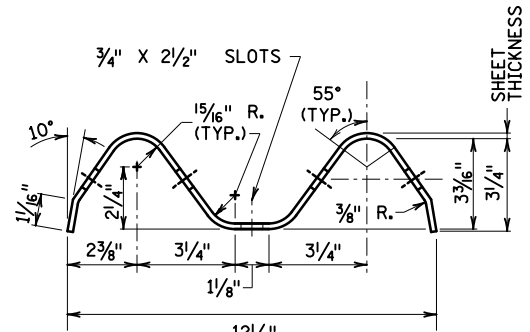


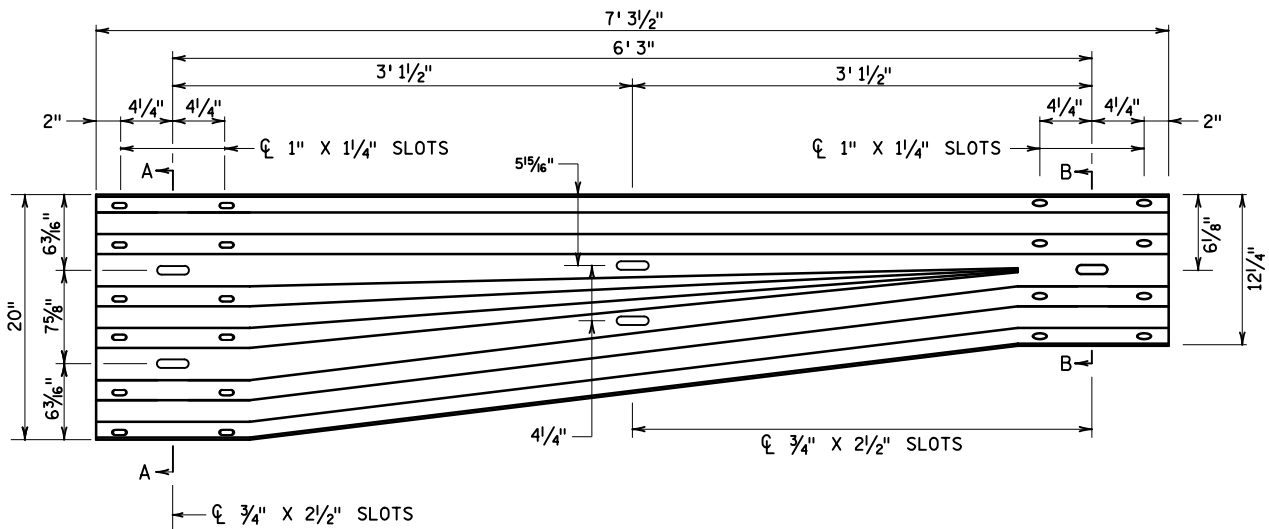
SYMMETRICAL W-BEAM TO THRIE-BEAM TRANSITION



SECTION A-A



SECTION B-B



ASYMMETRICAL W-BEAM TO THRIE-BEAM TRANSITION

NOTE:

ASYMMETRICAL TRANSITION - MIRROR DETAIL FOR OPPOSITE TRAFFIC DIRECTION APPLICATION.

APPROVED JULY 1, 2019

Rom S...
STATE DESIGN ENGINEER

STATE OF MINNESOTA
DEPARTMENT OF TRANSPORTATION

W-BEAM TO THRIE-BEAM
TRANSITION GUARDRAIL

SPECIFICATION
REFERENCE

3382

STANDARD
PLATE
NO.

8356A