

PLOTTED/REVISED: 10-APR-2023

PROJECT NAME: T2413864-sgl
FILE NAME: Projects\DM_FROSO\12\0000\Traffic\Signals\56.58_20276_CARLSON PKWY-DEER CRK N RAMP-2413864-T2413864-sgl.dgn

DETECTOR CHART

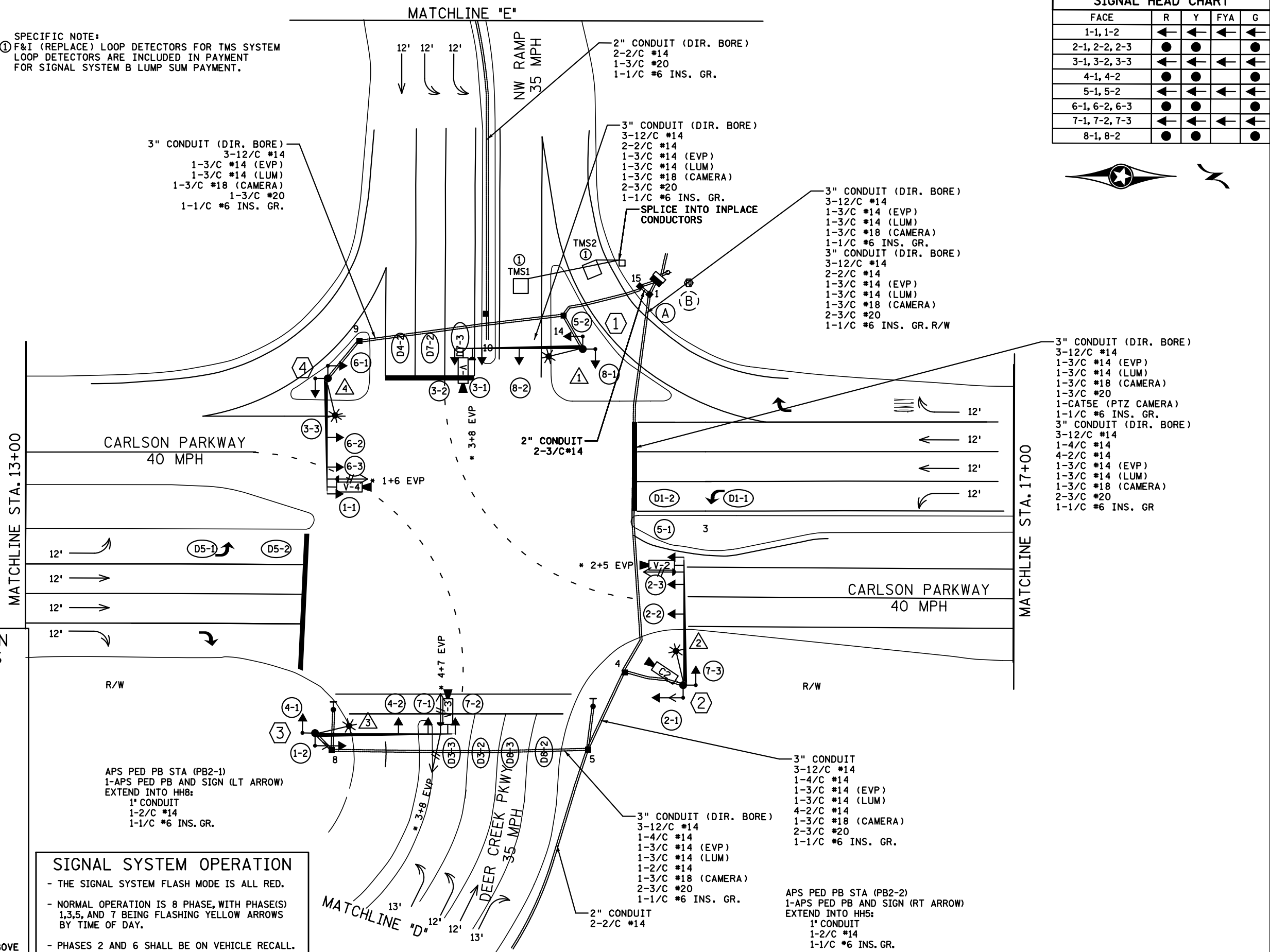
TYPE	NUMBER	SIZE (FT)	LOCATION
CAMERA (V-4)	D1-1,D1-2	-	5 & 35
CAMERA (V-2)	D2-1,D2-2	-	250
LOOP	D3-1	6X6	180
CAMERA (V-1)	D3-2,D3-3	-	5
LOOP	D4-1	6X6	180
CAMERA (V-3)	D4-2	-	5
CAMERA (V-2)	D5-1,D5-2	-	5 & 35
CAMERA (V-4)	D6-1,D6-2	-	250
LOOP	D7-1	6X6	180
CAMERA (V-3)	D7-2,D7-3	-	5
LOOP	D8-1	6X6	180
CAMERA (V-1)	D8-2,D8-3	-	5
TMS	TMS1,TMS2	6X6	NW RAMP

①
-LOCATION: DISTANCE FROM STOP BAR IN FEET
-ALL LOOP DETECTORS SHALL BE PVC UNLESS NOTED OTHERWISE

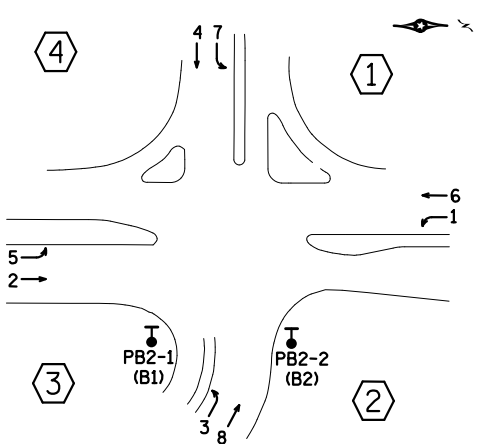
SPECIFIC NOTE:
① F&I (REPLACE) LOOP DETECTORS FOR TMS SYSTEM
LOOP DETECTORS ARE INCLUDED IN PAYMENT FOR SIGNAL SYSTEM B LUMP SUM PAYMENT.

SIGNAL HEAD CHART

FACE	R	Y	FYA	G
1-1, 1-2	←	←	←	←
2-1, 2-2, 2-3	●	●	●	●
3-1, 3-2, 3-3	←	←	←	←
4-1, 4-2	●	●	●	●
5-1, 5-2	←	←	←	←
6-1, 6-2, 6-3	●	●	●	●
7-1, 7-2, 7-3	←	←	←	←
8-1, 8-2	●	●	●	●



CONTROLLER PHASING, PEDESTRIAN INDICATIONS AND PUSH BUTTONS



SIGNAL SYSTEM OPERATION

- THE SIGNAL SYSTEM FLASH MODE IS ALL RED.
- NORMAL OPERATION IS 8 PHASE, WITH PHASE(S) 1,3,5, AND 7 BEING FLASHING YELLOW ARROWS BY TIME OF DAY.
- PHASES 2 AND 6 SHALL BE ON VEHICLE RECALL.

PEDESTRIAN PUSH BUTTONS SHALL BE LOCATED AS SHOWN ABOVE

BY	DATE	REVISIONS
HRL	2/9/22	RECORD PLAN

SYSTEM ID: 2413864 T.E. 8386
METER ADDRESS:
OLD SYSTEM ID: 20276

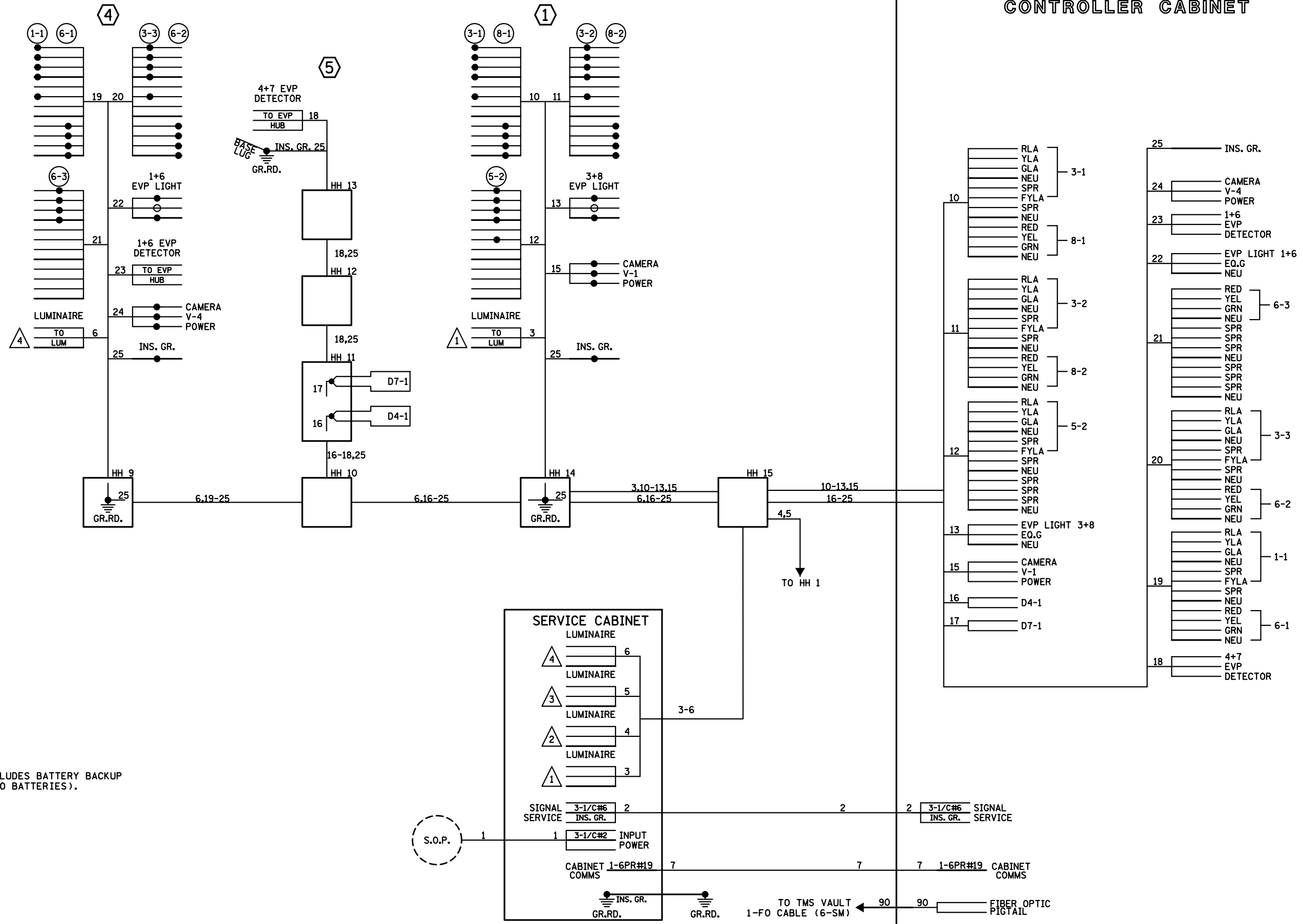
TRAFFIC CONTROL SIGNAL SYSTEM INTERSECTION LAYOUT
T.H. 12 AT CARLSON PKWY N RAMP
IN THE CITY OF WAYZATA HENNA COUNTY.

S.A.P. NO.	DRAWN BY: HRL	CKD BY: CDB	DATE:
CERTIFIED BY _____	LIC. NO. _____ DATE: _____		
STATE PROJ. NO. 2714-144 (T.H.12)		SHEET NO. 1 OF 5 SHEETS	

PLOTTED/REVISED: 10-APR-2023

IPLOT NAME: T2413864_sgl
FILENAME: Projects\DM_FROSO\12\00007Traffic\Signals\56.58_20276_CARLSON PKWY-DEER CRK N-RAMP-2413864-T2413864_sgl.dgn

CONTROLLER CABINET



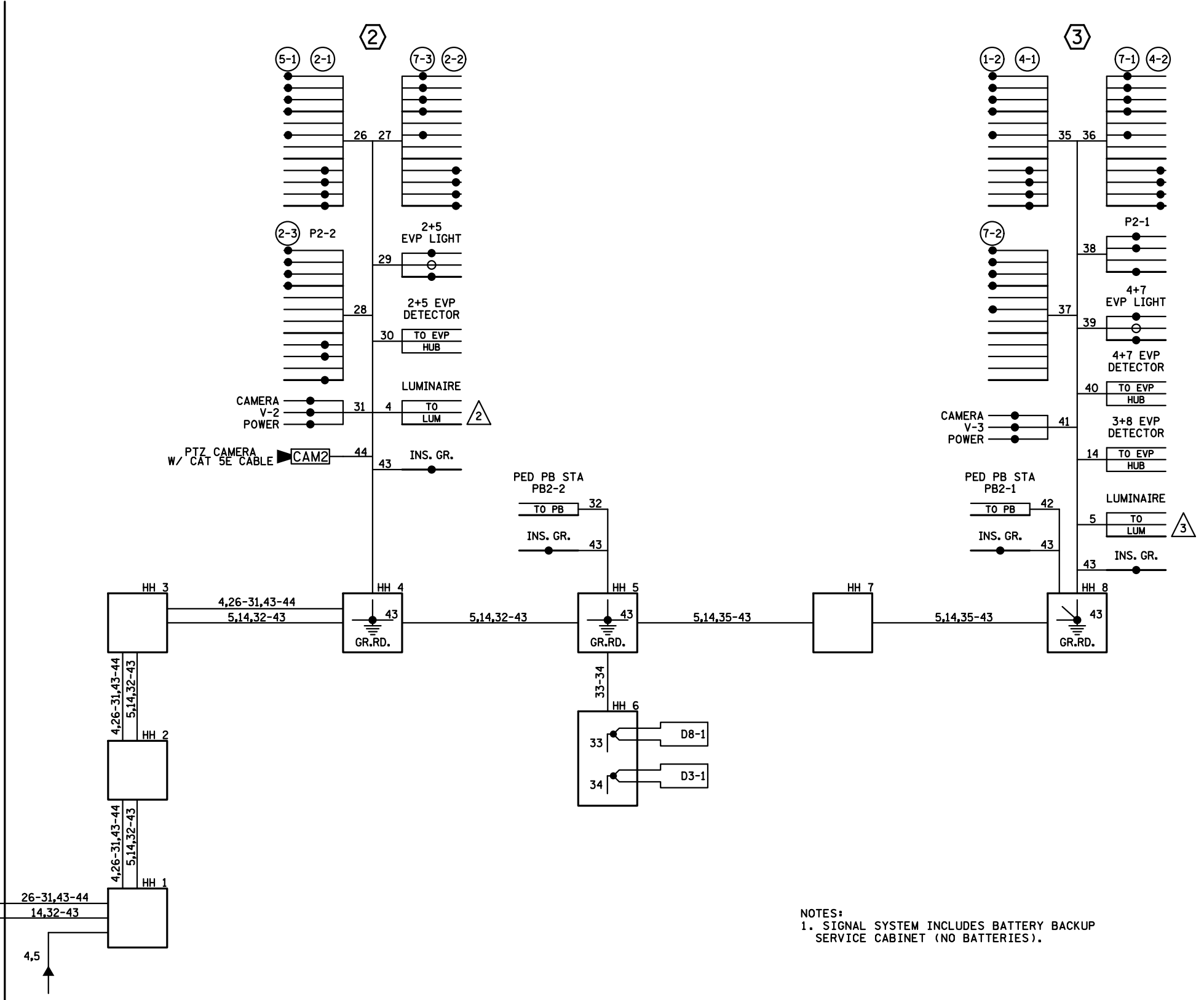
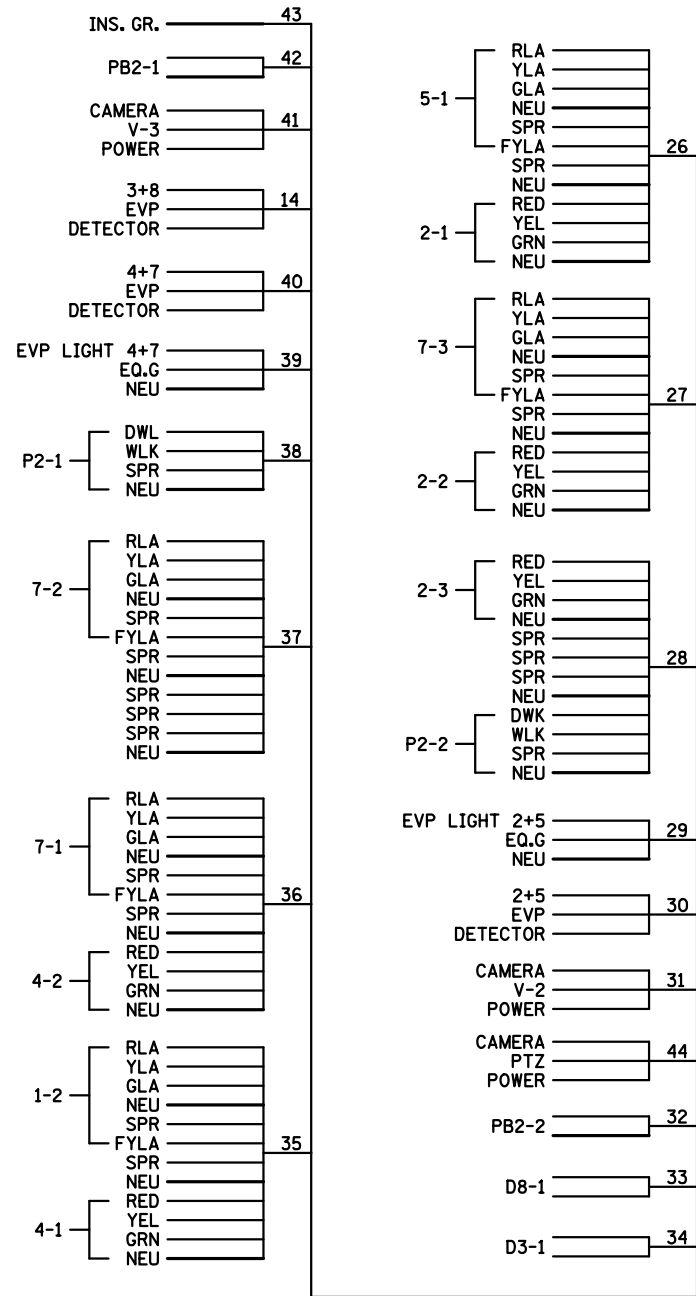
NOTES:
 1. SIGNAL SYSTEM INCLUDES BATTERY BACKUP SERVICE CABINET (NO BATTERIES).

BY	DATE	REVISIONS	SYSTEM ID: 2413864	T.E. 8386	TRAFFIC CONTROL SIGNAL SYSTEM WIRING DIAGRAM	S.A.P. NO.	DRAWN BY: HRL	CKD BY: CDB	DATE:
HRL	2/9/22	RECORD PLAN	METER ADDRESS:		T.H. 12 AT CARLSON PKWY N RAMP	CERTIFIED BY _____			
			OLD SYSTEM ID: 20276		IN THE CITY OF WAYZATA HENN COUNTY.	LICENSED PROFESSIONAL ENGINEER	LIC. NO. _____		DATE: _____
						STATE PROJ. NO. 2714-144 (T.H.12)	SHEET NO. 4	OF 5	SHEETS

PLOTTED/REVISED: 10-APR-2023

PLOT NAME: T2413864.sgl
 FILENAME: Projects\DM_FROSO\02\0000\Traffic\SIGNALS\56.58_20276_CARLSON PKWY-DEER CRK N-RAMP-2413864-T2413864-ssl.dgn

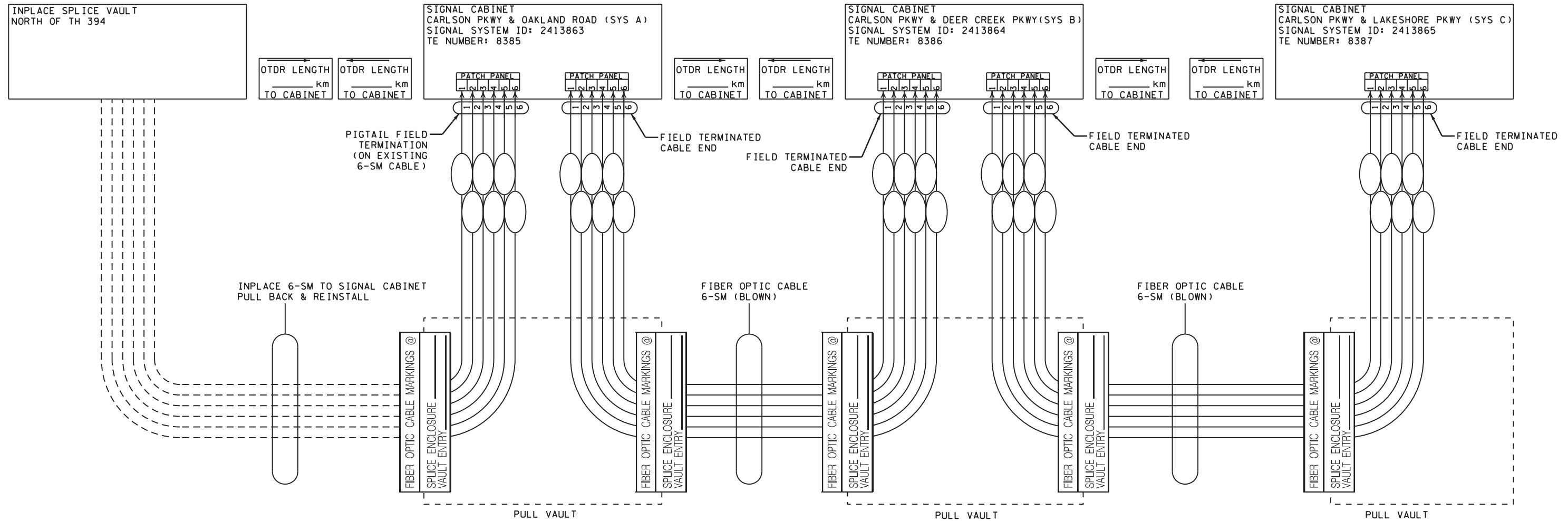
CONTROLLER CABINET



NOTES:
 1. SIGNAL SYSTEM INCLUDES BATTERY BACKUP SERVICE CABINET (NO BATTERIES).

BY	DATE	REVISIONS	SYSTEM ID: 2413864	T.E. 8386	S.A.P. NO.	DRAWN BY: HRL	CKD BY: CDB	DATE:
HRL	2/9/22	RECORD PLAN	METER ADDRESS:		CERTIFIED BY _____	LIC. NO. _____	DATE: _____	
			OLD SYSTEM ID: 20276		STATE PROJ. NO. 2714-144 (T.H.12) SHEET NO. 5 OF 5 SHEETS			

FIBER OPTIC SCHEMATIC (FOR SIGNAL COMMUNICATIONS)



NOTE:
SEE SPECIAL PROVISIONS FOR DETAILS
ON CONNECTING, TESTING, AND SPLICING.

TRAFFIC CONTROL INTERCONNECT DETAILS

bmi.tbi

pdf-B and W.pltcfq
1/18/2019 12:55:51 PM

zachary.pd
1/18/2019

H:\MTKA\T19116771\CAD\MS\plans\Signal\cd2714144_ipd_005.dgn

I HEREBY CERTIFY THAT THIS PLAN, SPECIFICATION, OR REPORT WAS PREPARED BY ME OR UNDER MY DIRECT SUPERVISION AND THAT I AM A DULY LICENSED PROFESSIONAL ENGINEER UNDER THE LAWS OF THE STATE OF MINNESOTA.

Bryan T. Nemeth
BRYAN T. NEMETH
LIC. NO. 43354 DATE 12-20-2018



12224 NICOLLET AVENUE
BURNSVILLE, MINNESOTA 55337
Phone: (952) 890-0509
Email: Burnsville@bolton-menk.com
www.bolton-menk.com



DESIGNED ZAP	REV.	BY	DATE
DRAWN ZAP			
CHECKED BTN			

CARLSON PARKWAY IMPROVEMENTS
S.P. 2714-144 (TH 12), S.A.P. 142-152-009
SIGNAL INTERCONNECT PLAN

SHEET
88
OF
90