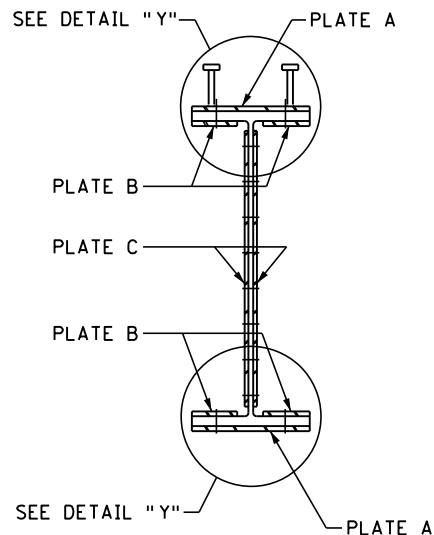
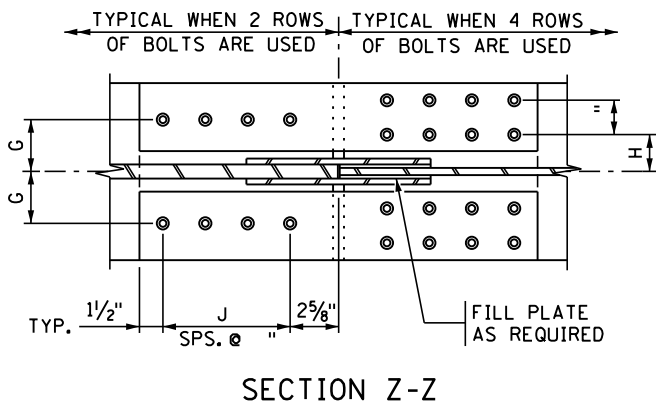


DETAIL "Y"

SEE PLAN FOR NUMBER OF STUDS PER ROW AND SPACING OF ROWS (TOP FLANGE ONLY).



SECTION X-X



SECTION Z-Z

NOTES:

USE FILL PLATES WHERE THE DIFFERENCE IN WEB THICKNESS IS 1/16" OR GREATER. FILL PLATES SHALL BE STRUCTURAL STEEL WITH MINIMUM THICKNESS OF 1/16". WHEN THE DIFFERENCE IN WEB THICKNESS IS 1/8" OR MORE, PLACE FILL PLATES OF THE SAME THICKNESS ON BOTH SIDES OF THE THINNER WEB.

TABLE											
BEAM SIZE	PLATE A (IN.)	PLATE B (IN.)	PLATE C (IN.)	D	E	F	G	H	J	FLANGE FILL PLATE	WEB FILL PLATE

APPROVED: NOVEMBER 22, 2002
Samuel J. Hanson
 STATE BRIDGE ENGINEER

STATE OF MINNESOTA
 DEPARTMENT OF TRANSPORTATION
SPLICES FOR STEEL BEAMS

REVISION
 10-22-2009
 05-24-2012
 01-05-2017

DETAIL NO.
B400