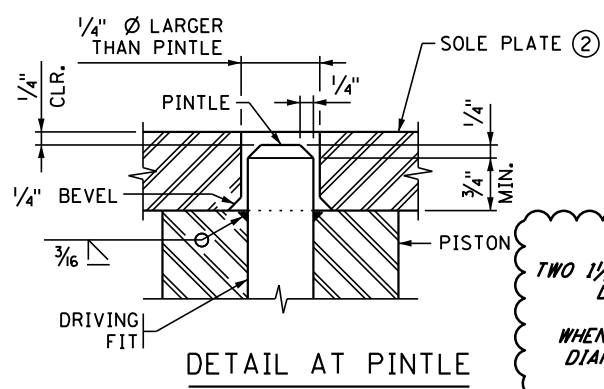


2"  $\phi$  HOLE FOR  
1 1/2"  $\phi$  ANCHOR  
ROD (TYP.)

DETAIL AT MASONRY PLATE



DETAIL AT PINTLE

NOTES:

- PROVIDE MATERIALS, DESIGN AND FABRICATION PER SPECIAL PROVISIONS.
- PROVIDE STEEL PLATES, PINTLES AND ANCHOR RODS PER SPEC. 3309.
- GALVANIZE SOLE PLATE, AND MASONRY PLATE PER SPEC. 3394.
- PROVIDE ANCHOR RODS PER SPEC. 3385, TYPE B. GALVANIZE PER SPEC. 3392.
- PERFORM SHIMMING UNDER MASONRY PLATE WITH PREFORMED FABRIC PADS PER AASHTO LRFD BRIDGE CONSTRUCTION SPEC. SECTION 18.10.
- MANUFACTURER TO SUBMIT ANY BEARING ASSEMBLY DIMENSIONS, DETAILS OR MATERIALS NOT SHOWN TO THE ENGINEER FOR APPROVAL. SHIP UPPER AND LOWER COMPONENTS TOGETHER AS A COMPLETE ASSEMBLY.
- ALL MATERIAL SHOWN IS INCLUDED IN THE PRICE BID FOR EACH BEARING ASSEMBLY, EXCEPT AS NOTED.
- METALIZE PISTON AND POT PER SPEC. 2471.3.L.2.
- ① FACTORED LIVE LOAD (LL) ROTATION OR 0.02 RADIAN WHICHEVER IS GREATER.
- ② THE SOLE PLATE IS INCLUDED IN THE POT BEARING ASSEMBLY QUANTITY. 1/4" MIN. THICKNESS IS REQUIRED. TAPER SOLE PLATE TO FINISHED GRADE INCLUDING TRANSVERSE TAPER FOR SKEWED BRIDGES.
- ③ POT BEARING MANUFACTURER TO DETERMINE THE FINAL DIMENSIONS AND NUMBER OF ALL BEARING COMPONENTS INCLUDING PISTON, POT, MASONRY PLATE, SOLE PLATE, THREADED FASTENERS, BOLTED FLANGE CONNECTIONS, PINTLES AND OVERALL HEIGHT, AND COORDINATE SHARING THIS INFORMATION WITH THE BEAM FABRICATOR AND CONTRACTOR. MINIMUM PINTLE SIZE IS 1 1/2" DIAMETER.
- ④ FACTORED HORIZONTAL RESISTANCE IS A MINIMUM OF 15% OF THE STRENGTH LIMIT STATE VERTICAL LOAD UNLESS STATED OTHERWISE.
- ⑤ SEE FRAMING PLAN
- ⑥ "+" DENOTES OFFSET AS SHOWN.  
"-" DENOTES OFFSET OPPOSITE OF SHOWN.

**DESIGNER NOTE (REMOVE DESIGNER NOTE PRIOR TO PLOTTING FINAL PLAN):**  
 TWO 1 1/2" DIAMETER ANCHOR RODS HAVE A FACTORED HORIZONTAL RESISTANCE OF 95 KIPS.  
 DESIGNER SHALL INCREASE DIAMETER, NUMBER OF RODS OR BOTH WHEN NEEDED.  
 WHEN SPECIFYING OFFSET DIMENSION "M", CONSIDER THE SIZE AND PROXIMITY OF THE  
 DIAPHRAGM AND LONGITUDINAL PIER REINFORCEMENT TO ALLOW ADEQUATE ROOM FOR  
 INSTALLATION OF ANCHOR RODS.

BEARING ASSEMBLY TABLE

ASSEMBLY TYPE	LOCATION	FACTORED LL ROTATION ① (RAD)	MASONRY PLATE ③		ANCHOR ROD OFFSET		ASSUMED HEIGHT "H" ③	BOTTOM FLANGE WIDTH	DESIGN LOADS (KIPS)				
			A	B	+/- ⑥	M			SERVICE LIMIT STATE		STRENGTH LIMIT STATE		
									VERTICAL	HORIZONTAL	VERTICAL	HORIZONTAL ④	
			"	"	"	"	"	"					
			"	"	"	"	"	"					

APPROVED: SEPTEMBER 18, 2007  
*James J. Wagoner*  
 STATE BRIDGE ENGINEER

STATE OF MINNESOTA  
 DEPARTMENT OF TRANSPORTATION  
**POT BEARING ASSEMBLY**  
 (STEEL BEAMS)  
 (FIXED)

REVISION  
 12-17-2008  
 11-03-2015  
 02-27-2019

DETAIL NO.  
**B316**