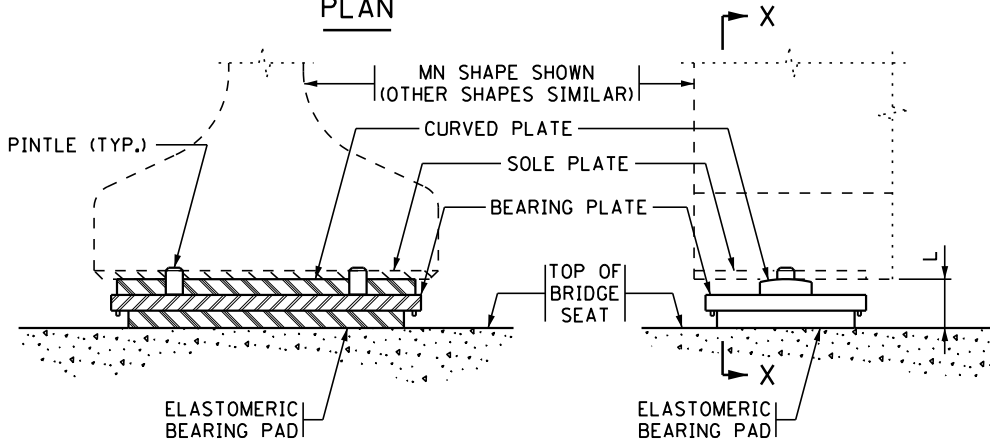


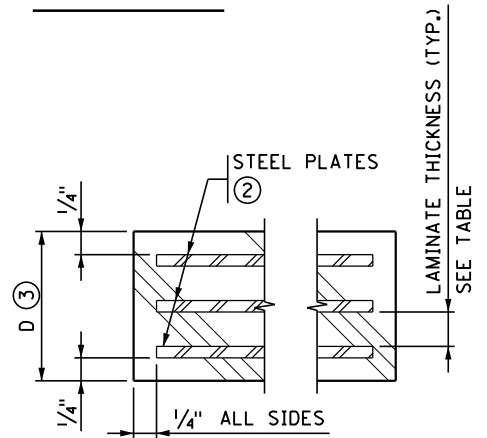
PLAN

SECTION Y-Y



SECTION X-X

SIDE ELEVATION



SECTION THROUGH ELASTOMERIC BEARING PAD

TABLE

ASSEMBLY TYPE	LOCATION	BEAM SIZE	BEARING PAD SIZE			STEEL PLATES		LAMINATES		SHAPE FACTOR	BEARING PLATE SIZE			CURVED PLATE SIZE				ASSY. HEIGHT L	RESTRAINT PATTERN ④
			A	B	D	NO.	THICK.	NO.	THICK.		C	E	F	G	H	J	R ①		
		--RB, --M, MN--	12"	24"			1/8"		1/2"	8.0	14"	27"	1 1/2"	4 1/2"	26"	1 1/4"			A-1
		--MW	16"	36"			1/8"		3/4"	7.4	18"	39"	1 1/2"	4 1/2"	38"	1 1/4"			A-2
		--MH	12"	30"			1/8"		1/2"	8.6	14"	33"	1 1/2"	4 1/2"	32"	1 1/4"			A-3

**NOTES:**

- PROVIDE ELASTOMERIC MATERIALS AND PAD CONSTRUCTION IN ACCORDANCE WITH SPEC. 3741.
- PROVIDE STEEL PLATES IN ACCORDANCE WITH SPEC. 3306.
- PROVIDE PINTLES IN ACCORDANCE WITH SPEC. 3309.
- GALVANIZE STRUCTURAL STEEL BEARING ASSEMBLY AFTER FABRICATION IN ACCORDANCE WITH SPEC. 3394, EXCEPT AS NOTED.
- PAYMENT FOR BEARING ASSEMBLY INCLUDES ALL MATERIAL ON THIS DETAIL.

④ REFER TO BEARING PAD RESTRAINT B-DETAIL FOR ADDITIONAL INFORMATION AND DETAILS.

*DESIGNER NOTE (REMOVE PRIOR TO PRINTING FINAL PLAN):*  
*INSERT TABLE VALUES AS NEEDED AND DELETE UNUSED DATA.*

*MINIMUM SIZE OF BEARING PAD,*  
*12" x 24" FOR RB, M, & MN SHAPES*  
*16" x 36" FOR MW SHAPES*  
*12" x 30" FOR MH SHAPES*

*FOR PARAPET AND SEMI-INTEGRAL ABUTMENT BRIDGES ON GRADES EXCEEDING 3%, MODIFY THIS DETAIL TO PROVIDE A TAPERED BEARING PLATE PER DETAIL B309.*

*PER NOTE ④ INCLUDE B307 AND MODIFY AS NECESSARY.*

① THE MIN. RADIUS IS 16" UNLESS OTHERWISE SPECIFIED IN THE TABLE. THE MAX. RADIUS IS 24". FINISH TO 250 MICRO. THE FINISHED THICKNESS OF THE PLATE MAY BE 1/16" LESS THAN SHOWN.

② DO NOT GALVANIZE THESE PLATES.

③ THE TOTAL THICKNESS SHOWN INCLUDES THE STEEL PLATES.

APPROVED: DECEMBER 20, 2018

*Kevin Westrom*  
STATE BRIDGE ENGINEER

STATE OF MINNESOTA  
DEPARTMENT OF TRANSPORTATION

CURVED PLATE BEARING ASSEMBLY  
(PRESTRESSED CONCRETE BEAMS)  
(EXPANSION)

REVISION  
10-22-2019  
12-02-2020  
12-21-2022

DETAIL NO.

B311