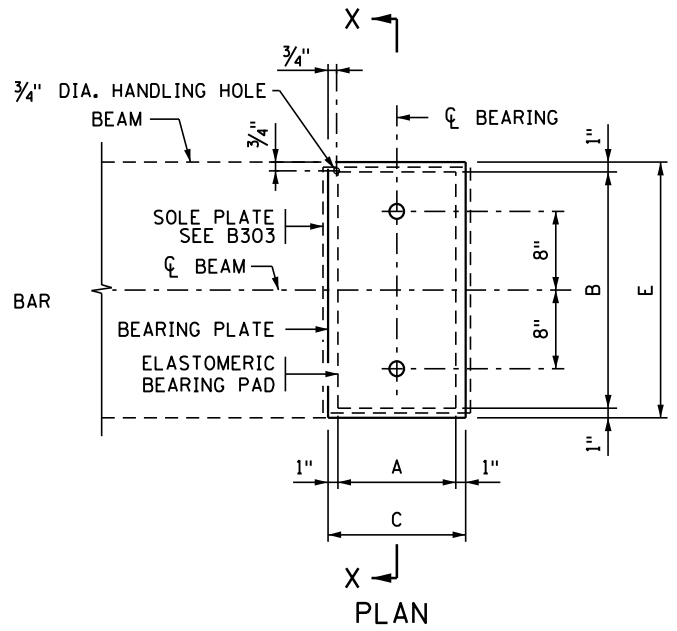
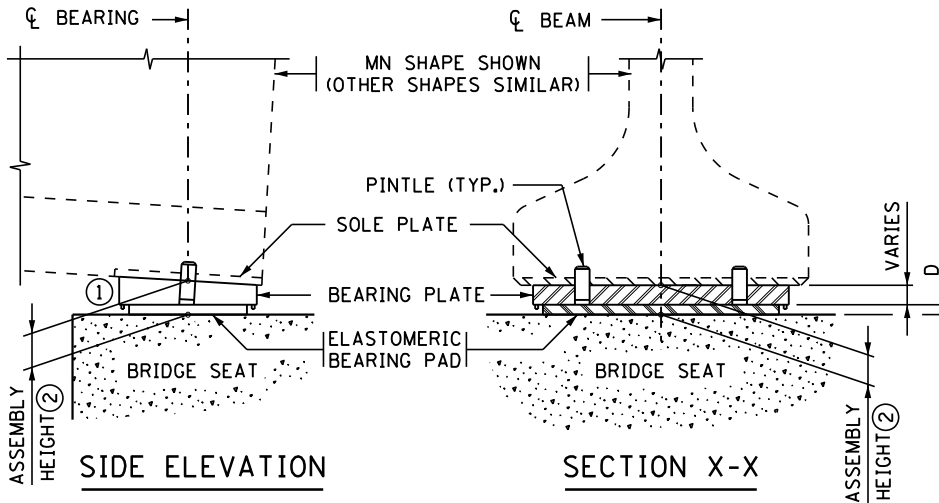


**BEARING PLATE DETAIL**



**PLAN**



**SIDE ELEVATION**

**SECTION X-X**

*DESIGNER NOTE (REMOVE PRIOR TO PRINTING FINAL PLAN):*  
 USE TAPERED PLATE FOR GRADES EXCEEDING 3%. MAINTAIN SAME TAPERED PLATE THICKNESS WITHIN 2% SLOPE INCREMENTS, I.E. 3-5% OR 4-6%.  
 INSERT TABLE VALUES AS NEEDED AND DELETE UNUSED DATA.  
 MINIMUM THICKNESS OF TAPERED PLATE IS 1/2". ROUND ASSEMBLY HEIGHT TO NEAREST 1/8". MODIFY FRAMING PLAN PER NOTE 1.  
 USE 1/2" UNREINFORCED PAD WITH CONTINUITY DIAPHRAGMS OR INTEGRAL ABUTMENTS. PER NOTE 4 INCLUDE B307 AND MODIFY AS NECESSARY.

ASSEMBLY TYPE	LOCATION	BEAM SIZE	BEARING PAD SIZE			SHAPE FACTOR	BEARING PLATE SIZE				ASSEMBLY HEIGHT HT. ②	RESTRAINT PATTERN ④
			A	B	D ③		C	E	F	G		
		--RB, --M, MN--	12	24	1/2	8.0	14"	26"				A-1
		--MH	12	30	1/2	8.6	14"	32"				A-3

**NOTES:**

- PROVIDE ELASTOMERIC MATERIALS AND PAD CONSTRUCTION IN ACCORDANCE WITH SPEC. 3741.
- PROVIDE STEEL PLATES IN ACCORDANCE WITH SPEC. 3306.
- PROVIDE PINTLES IN ACCORDANCE WITH SPEC. 3309.
- GALVANIZE STRUCTURAL STEEL BEARING ASSEMBLY AFTER FABRICATION IN ACCORDANCE WITH SPEC. 3394.
- PAYMENT FOR TAPERED BEARING PLATE ASSEMBLY INCLUDES ALL MATERIAL ON THIS DETAIL.

- ① MARK THICKER SIDE OF SLOPED PLATES WITH AN "H" FOR PLACEMENT. SEE FRAMING PLAN SHEET NO. ...
- ② BEARING PAD AND BEARING PLATE THICKNESS AT  $\phi$  BEARING.
- ③ "D" INDICATES THE THICKNESS OF THE BEARING PAD.
- ④ REFER TO BEARING PAD RESTRAINT B-DETAIL FOR ADDITIONAL INFORMATION AND DETAILS.