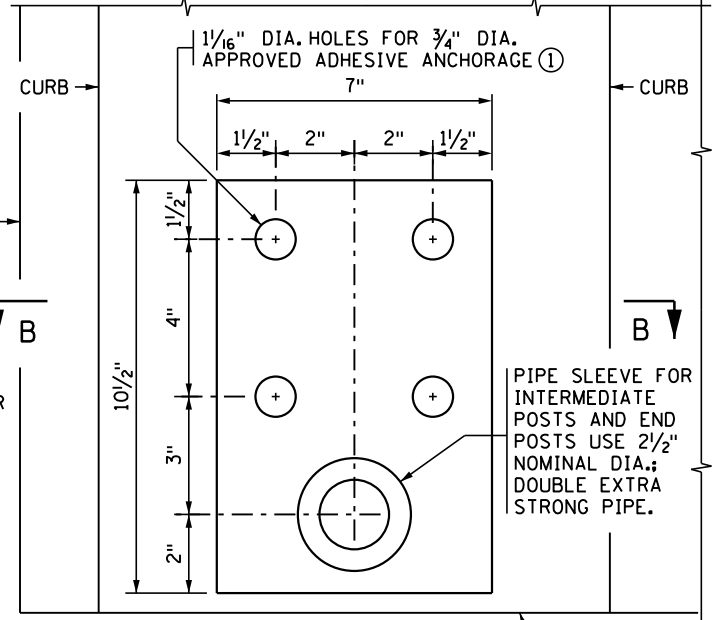
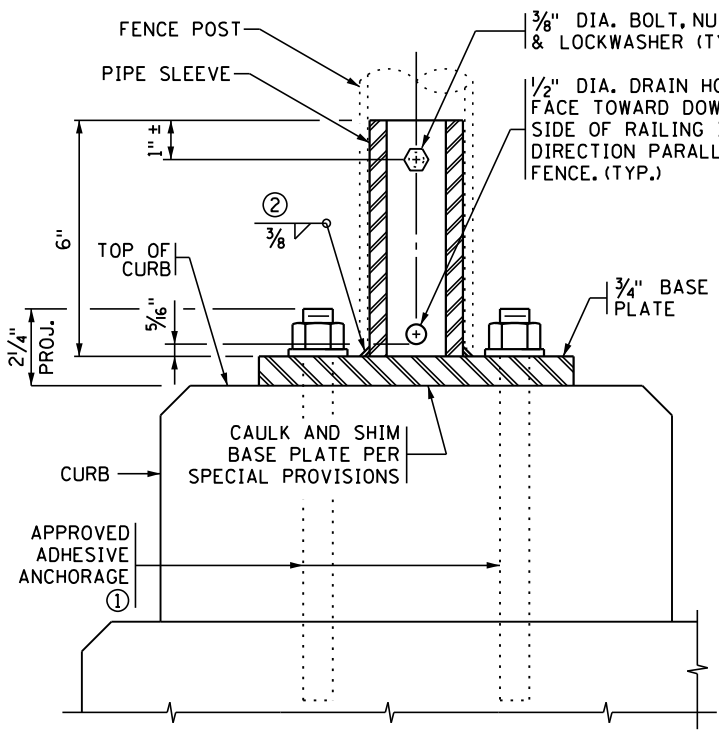


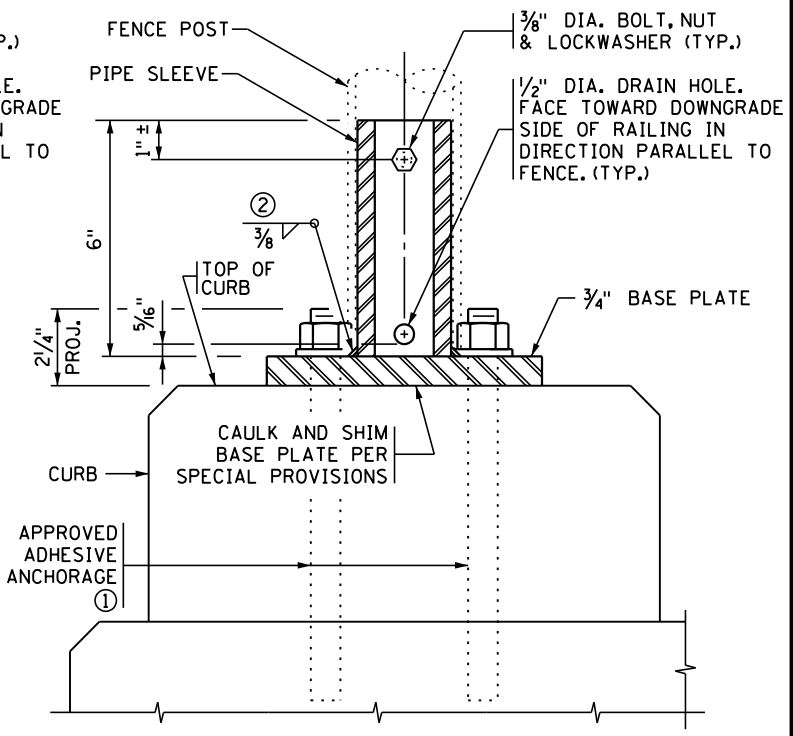
PLAN VIEW - TYPE B
ESTIMATED WEIGHT = 24 LBS.



PLAN VIEW - TYPE C
ESTIMATED WEIGHT = 23 LBS.



SECTION A-A



SECTION B-B

NOTES:

- ALL PIPE DIAMETERS ARE NOMINAL.
- SEE SPECIAL PROVISIONS FOR REQUIREMENTS NOT INCLUDED ON THIS SHEET.
- STRUCTURAL STEEL IN ACCORDANCE WITH SPEC. 3306
- STRUCTURAL PIPE IN ACCORDANCE WITH SPEC. 3362
- GALVANIZE THE FENCE POST ANCHORAGE AFTER FABRICATION IN ACCORDANCE WITH SPEC. 3394.
- GALVANIZE THE FASTENERS IN ACCORDANCE WITH SPEC. 3392.
- FURNISHING AND INSTALLING FENCE POST ANCHORAGES IS INCIDENTAL TO THE WIRE FENCE.

- ① ADHESIVE ANCHORAGE WITH 3/4" DIA. ANCHOR ROD IN ACCORDANCE WITH SPEC. 3385, TYPE A OR B WITH HEX NUT AND WASHER. PROVIDE AN ADHESIVE WITH A MINIMUM CHARACTERISTIC BOND STRENGTH IN UNCRACKED CONCRETE OF 1.5 KSI. EMBED THE ANCHORAGE NO LESS THAN 8" REGARDLESS OF CHARACTERISTIC BOND STRENGTH. DRILL THROUGH REINFORCEMENT (IF ENCOUNTERED) TO ACHIEVE MINIMUM EMBEDMENT. ENSURE HEX NUT IS IN CONTACT WITH THE ADJACENT SURFACE AND TORQUE TO 60 FT-LBS UNLESS A HIGHER TORQUE IS RECOMMENDED BY THE MANUFACTURER. PROOF LOAD TO 5.8 KIPS. REFER TO THE APPROVED/QUALIFIED PRODUCTS LIST AND THE SPECIAL PROVISIONS FOR ADDITIONAL REQUIREMENTS.
 - ② E70X ELECTRODES FOR 3/8" POST TO BASE PLATE WELD.
- DOUBLE EXTRA STRONG PIPE WEIGHTS;
2 1/2" NOMINAL DIA. = 13.69 LBS./FT.

APPROVED: JANUARY 05, 2017
Kevin Weston
STATE BRIDGE ENGINEER

STATE OF MINNESOTA
DEPARTMENT OF TRANSPORTATION
FENCE POST ANCHORAGE
(TYPE B AND C)

REVISION
05-10-2017
04-21-2021
02-08-2022

DETAIL NO.
B906