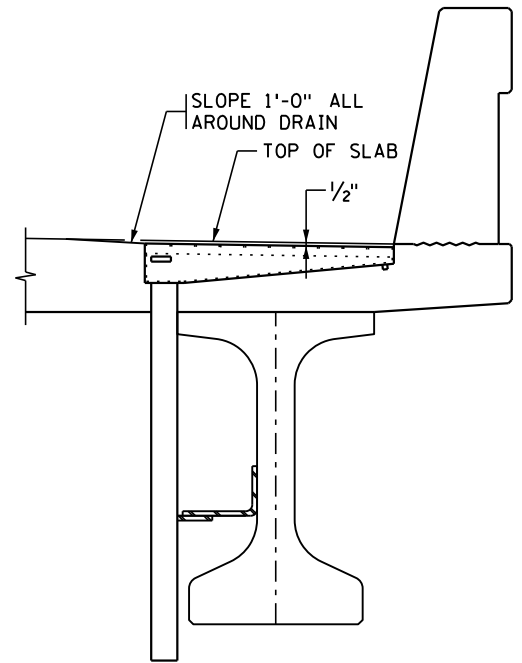
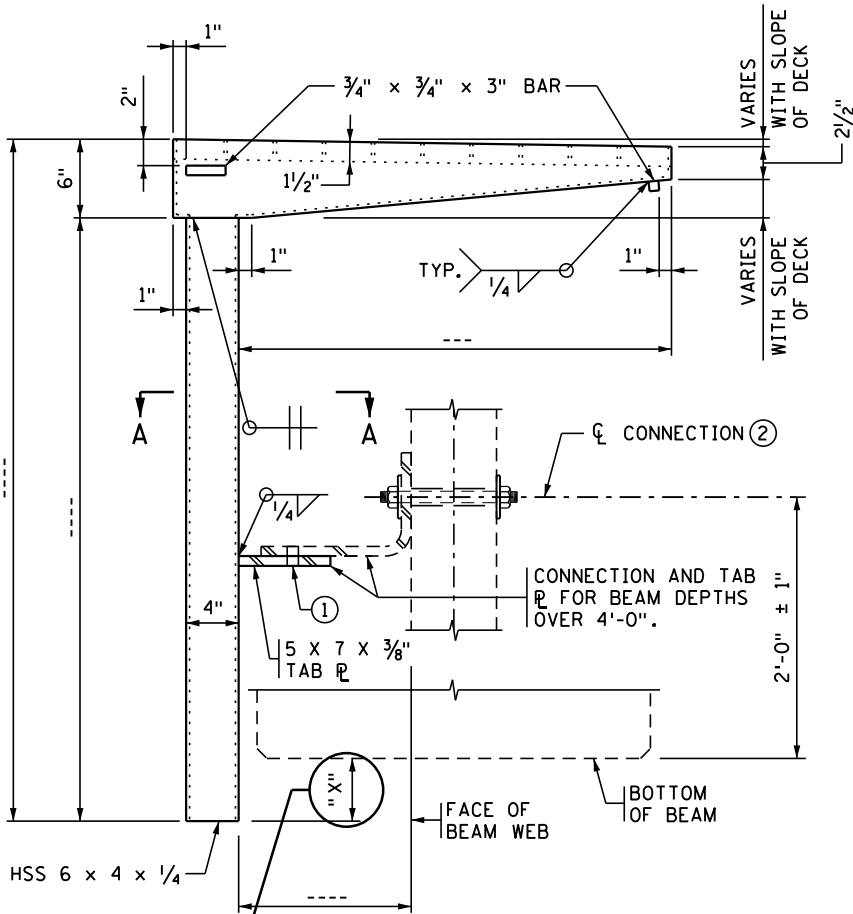


PLAN

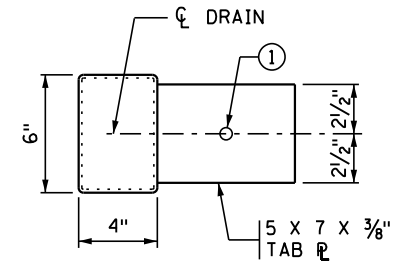


**FLOOR DRAIN
PLACEMENT DIAGRAM**



ELEVATION

(CONCRETE BEAM SHOWN)



SECTION A-A

(CONNECTION PLATE NOT SHOWN)

DESIGNER NOTE
(REMOVE PRIOR TO
PRINTING FINAL PLAN)
REFER TO BDM
ARTICLE 9.1.1 FOR
EXTENSION LENGTH

NOTES:

PROVIDE STRUCTURAL STEEL IN ACCORDANCE WITH SPEC. 3306.
GALVANIZE MATERIAL IN ACCORDANCE WITH SPEC. 3394 AFTER FABRICATION.

PAYMENT FOR FLOOR DRAIN, TYPE ..., INCLUDES ALL MATERIAL SHOWN ON THIS DETAIL.

① FIELD DRILL $1\frac{3}{16}$ " HOLE IN TAB PLATE TO PROVIDE FOR $\frac{3}{4}$ " BOLTED CONNECTION WITH WASHERS. ALLOW FOR A MINIMUM EDGE DISTANCE OF 1" TO EDGE OF TAB PLATE.

② SEE B703 FOR CONCRETE OR STEEL BEAM CONNECTION DETAILS.

APPROVED: NOVEMBER 22, 2002

Samuel J. Hanson
STATE BRIDGE ENGINEER

STATE OF MINNESOTA
DEPARTMENT OF TRANSPORTATION
BRIDGE OFFSET FLOOR DRAIN
(STRUCTURAL TUBE)
(CONCRETE OR STEEL BEAM)

REVISION
02-08-2022

DETAIL NO.

B706