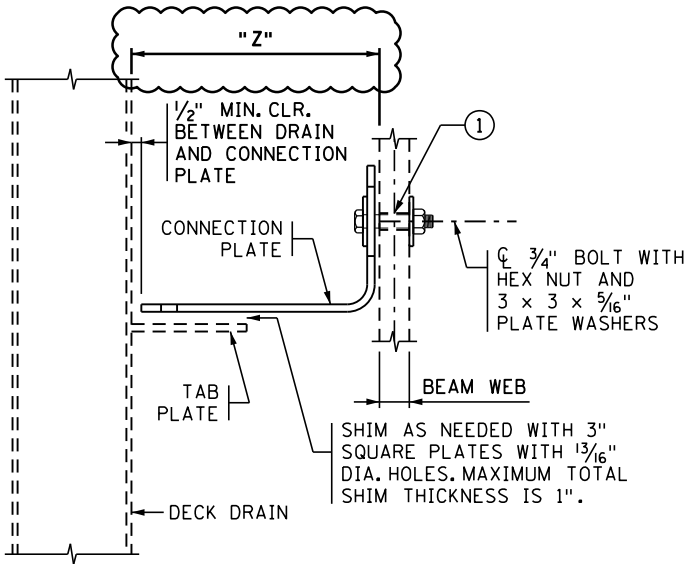


CONNECTION SIDE ELEVATION

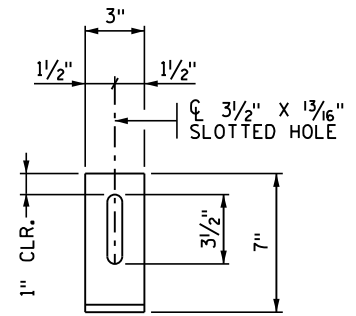
(PRESTRESSED CONCRETE BEAM SHOWN)



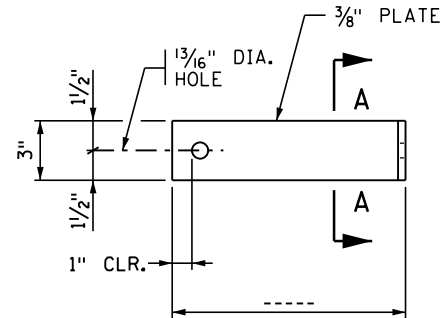
CONNECTION SIDE ELEVATION

(STEEL BEAM SHOWN)

DESIGNER NOTE
 (REMOVE PRIOR TO PRINTING FINAL PLAN):
 ADD NOTES AND DIMENSIONS TO BEAM SHEETS AND FRAMING PLAN SHOWING CONNECTION HOLES AND REFER TO THE B DETAILS FOR DECK DRAIN CONNECTION DETAILS.
 FOR STEEL BEAM SPANS ENSURE THE LOCATION OF THE HOLE IN THE WEB IS NOT AT A SPLICE OR OTHER UNSUITABLE LOCATION.



SECTION A-A



PLAN

CONNECTION PLATE DETAILS

DESIGNER NOTE
 (REMOVE PRIOR TO PRINTING FINAL PLAN):
 CALCULATE CONNECTION PLATE LENGTH AS THE DISTANCE FROM THE DECK DRAIN PIPE FACE TO BEAM WEB, "Z", MINUS 1.5 INCHES.

NOTES:

USE OF POST-INSTALLED DRILLED-IN ANCHORAGES IS PROHIBITED.

FOR PRESTRESSED CONCRETE BEAMS, FIELD VERIFY WEB HOLE LOCATION AND POSITION DECK DRAIN TO ALLOW FOR CONNECTION PLATE INSTALLATION.

PROVIDE CONNECTION PLATES, PLATE WASHERS AND SHIMS IN ACCORDANCE WITH SPEC. 3306. PROVIDE THREADED RODS IN ACCORDANCE WITH SPEC. 3385, TYPE A OR B WITH HEX NUTS. ENSURE HEX NUT IS IN CONTACT WITH THE ADJACENT SURFACE AND TORQUE TO 60 FT-LBS.

PROVIDE COMMON STRUCTURAL STEEL BOLTS AND HEX NUTS IN ACCORDANCE WITH SPEC. 3391. TORQUE IN ACCORDANCE WITH MnDOT 2402.3.G.2.

GALVANIZE CONNECTION PLATE, PLATE WASHERS, AND SHIMS IN ACCORDANCE WITH SPEC. 3394 AFTER FABRICATION. GALVANIZE THREADED RODS, BOLTS, AND NUTS IN ACCORDANCE WITH SPEC. 3392

PREFERRED INSTALLATION OF CONNECTION PLATE IS ABOVE THE TAB PLATE.

① FIELD DRILL 1 3/16" DIA. HOLE IN BEAM WEB AT DECK DRAIN LOCATION.

APPROVED: FEBRUARY 08, 2022
Kevin Westrom
 STATE BRIDGE ENGINEER

STATE OF MINNESOTA
 DEPARTMENT OF TRANSPORTATION
BRIDGE FLOOR DRAIN CONNECTION PLATE
 (FOR USE WITH CONCRETE OR STEEL BEAMS 4'-0" OR GREATER IN DEPTH)

REVISION

DETAIL NO.
B703