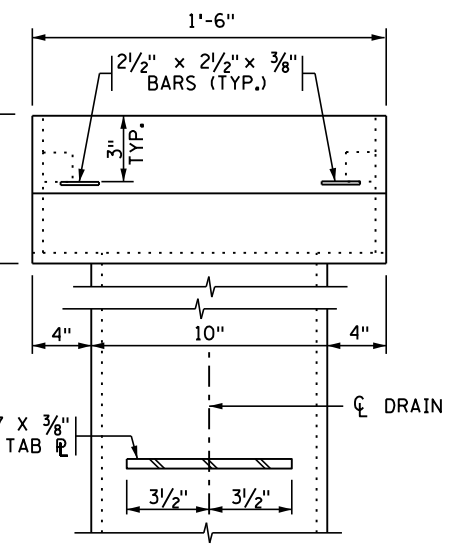
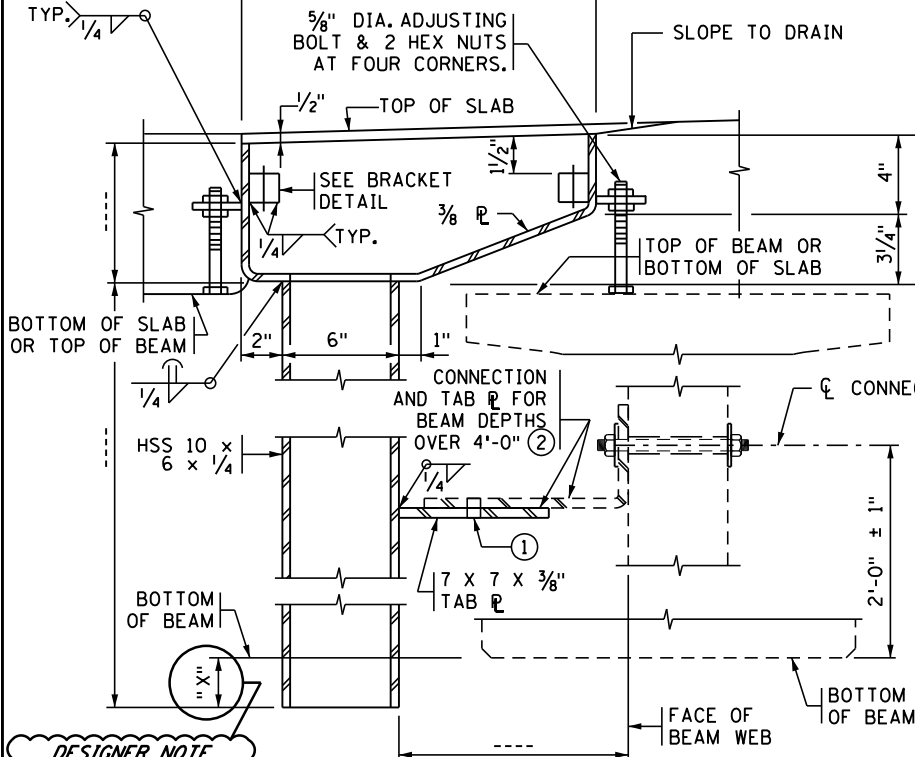


TOP VIEW
(SCUPPER)

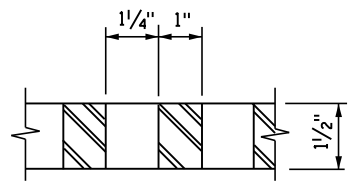
TOP VIEW
(GRATE)



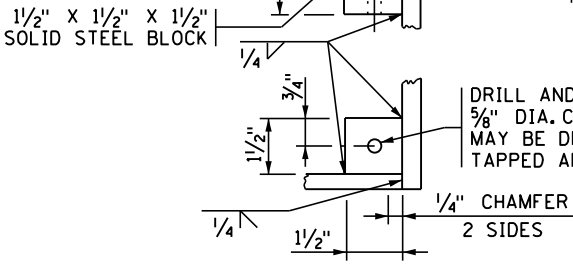
SECTION A-A
(CONCRETE BEAM SHOWN)

VIEW B-B

DESIGNER NOTE
(REMOVE PRIOR TO PRINTING FINAL PLAN)
REFER TO BDM ARTICLE 9.1.1 FOR EXTENSION LENGTH



SECTION C-C



BRACKET DETAIL

NOTES:

PROVIDE STRUCTURAL STEEL PLATES IN ACCORDANCE WITH SPEC. 3306. CAST IRON MAY BE USED AS AN ALTERNATE. FABRICATE GRATE USING AUTOMATICALLY CONTROLLED CUTTING TORCH.

CAST IRON GRATE, IN ACCORDANCE WITH SPEC. 3321, CLASS 35B, MAYBE USED AS AN ALTERNATE.

WORKMANSHIP AND FABRICATION IN ACCORDANCE WITH SPEC. 2471.

BLAST CLEAN SCUPPER AND GRATE AFTER FABRICATION. GALVANIZE STRUCTURAL STEEL, EXCEPT CAST IRON, IN ACCORDANCE WITH SPEC. 3394.

GALVANIZE HARDWARE IN ACCORDANCE WITH SPEC. 3392.

INSTALL GRATE WITH ARROW ON CURB SIDE POINTING IN DIRECTION OF FLOW.

PAYMENT FOR FLOOR DRAIN, TYPE --- INCLUDES ALL MATERIAL ON THIS DETAIL.

GRATE OPENING AREA IS 106 SQ. IN.

- ① FIELD DRILL 13/16" HOLE IN TAB PLATE TO PROVIDE FOR 3/4" BOLTED CONNECTION WITH WASHERS. ALLOW FOR A MINIMUM EDGE DISTANCE OF 1" TO EDGE OF TAB PLATE.
- ② SEE B703 FOR CONCRETE OR STEEL BEAM CONNECTION DETAILS.

APPROVED: NOVEMBER 22, 2002
Samuel J. Hanson
STATE BRIDGE ENGINEER

STATE OF MINNESOTA
DEPARTMENT OF TRANSPORTATION
BRIDGE FLOOR DRAIN
(WELDED BOX)
(CONCRETE OR STEEL BEAM)

REVISION
01-05-2017
02-08-2022

DETAIL NO.
B701