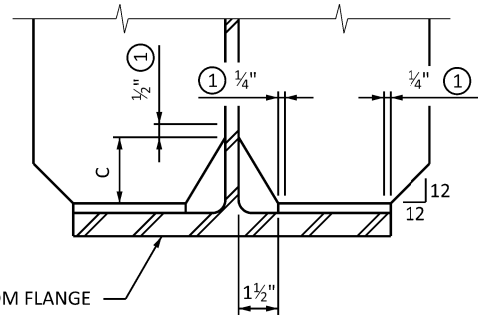


TOP OR BOTTOM FLANGE

STIFFENER TO FLANGE CONNECTION

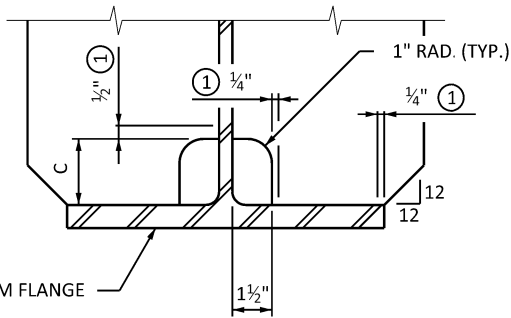
OPTION 1



TOP OR BOTTOM FLANGE

STIFFENER TO TAB PLATE CONNECTION

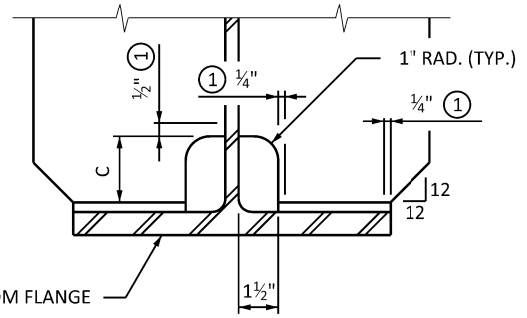
OPTION 1



TOP OR BOTTOM FLANGE

STIFFENER TO FLANGE CONNECTION

OPTION 2



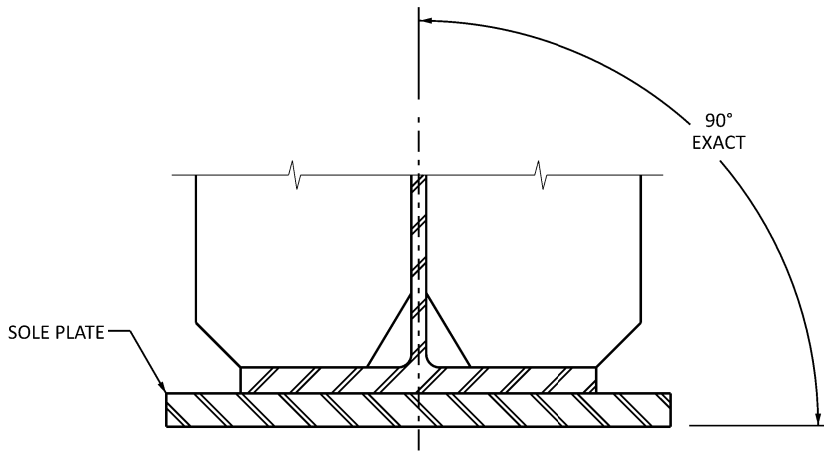
TOP OR BOTTOM FLANGE

STIFFENER TO TAB PLATE CONNECTION

OPTION 2

STIFFENER COPE DETAIL

PLATE GIRDER OR ROLLED BEAM



SOLE PLATE

SOLE PLATE AT BEARING

WEB THICKNESS	DIMENSION C
1/2", 9/16", 5/8"	2 1/2"
11/16", 3/4"	3"

NOTE:

- ① DO NOT WELD IN THIS AREA. SEE B410 FOR CONNECTION DETAILS.

APPROVED: OCTOBER 22, 2008

*David L. Morgan*  
STATE BRIDGE ENGINEER

STATE OF MINNESOTA  
DEPARTMENT OF TRANSPORTATION

STIFFENER DETAILS  
(FOR STEEL BEAMS)

REVISION  
12-17-2024

DETAIL NO.

B411