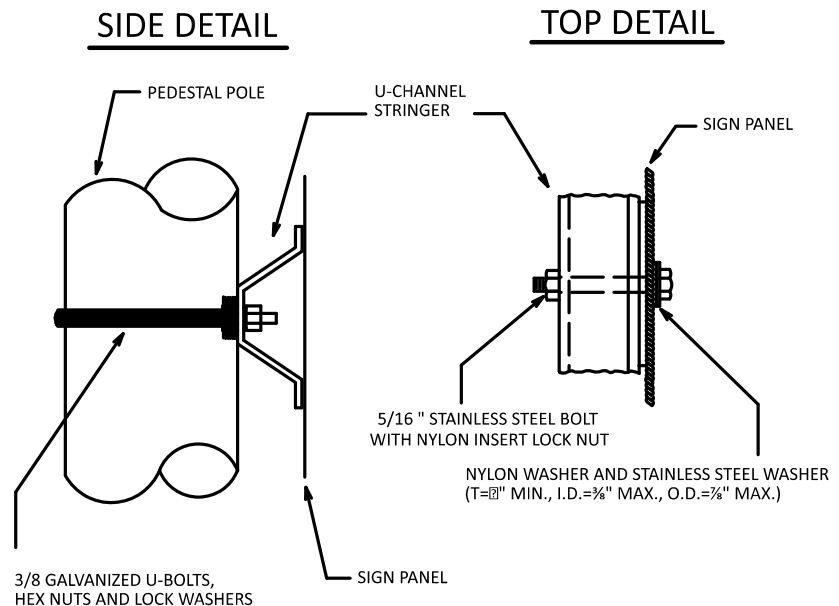
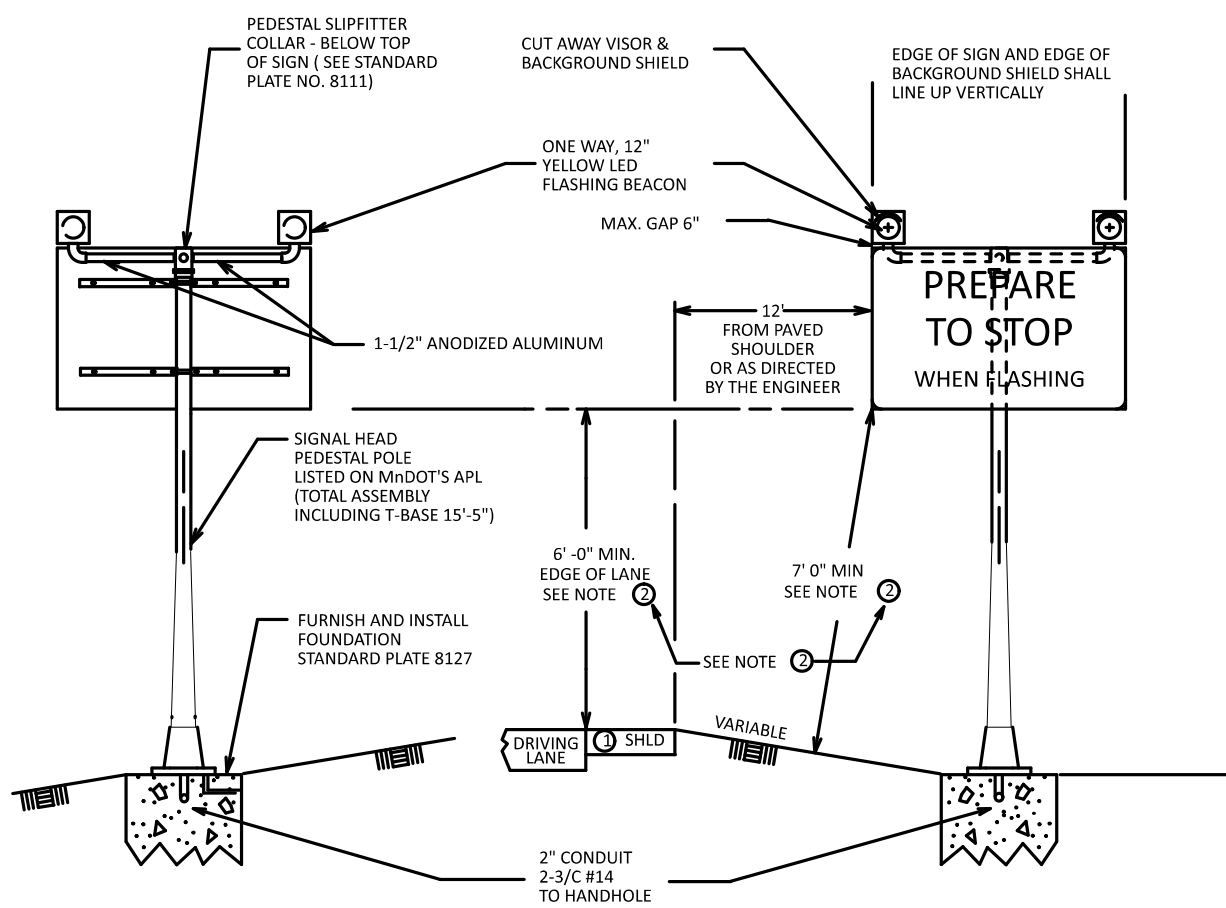


# FLASHER SIGN MOUNTING ATTACHMENT DETAILS

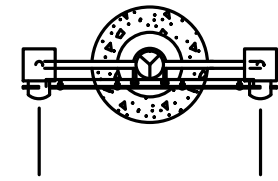


## BACK VIEW

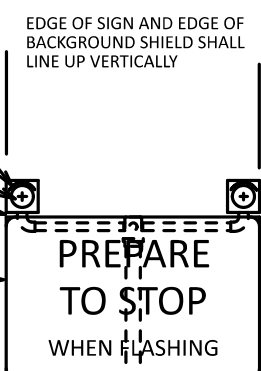


- NOTES:**
- ① WITHOUT PAVED SHOULDER, EDGE OF SIGN SHALL BE 12' - 0" FROM EDGE OF DRIVING LANE.
  - ② MEET BOTH MINIMUM REQUIRED MOUNTING HEIGHTS WITH THE SHORTEST PEDESTAL POLE POSSIBLE OR AS DIRECTED BY THE ENGINEER.

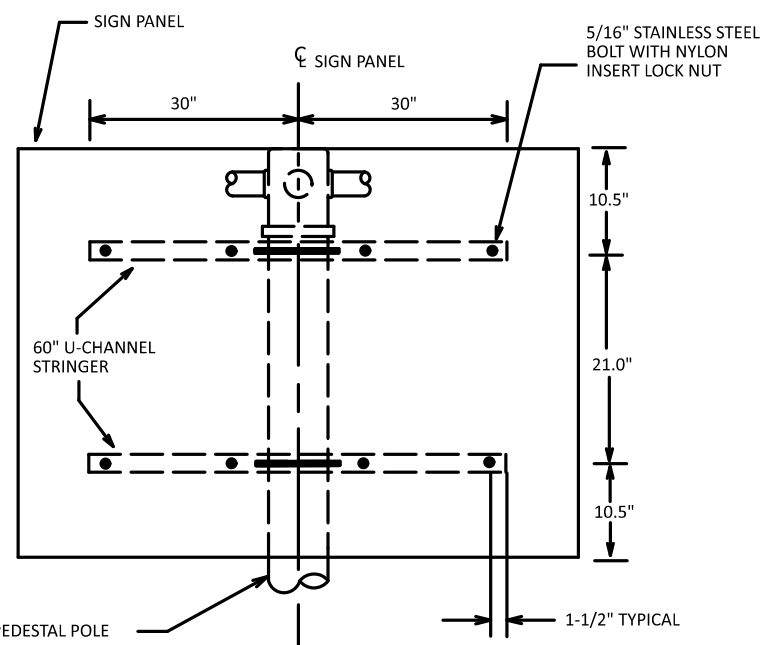
## TOP VIEW



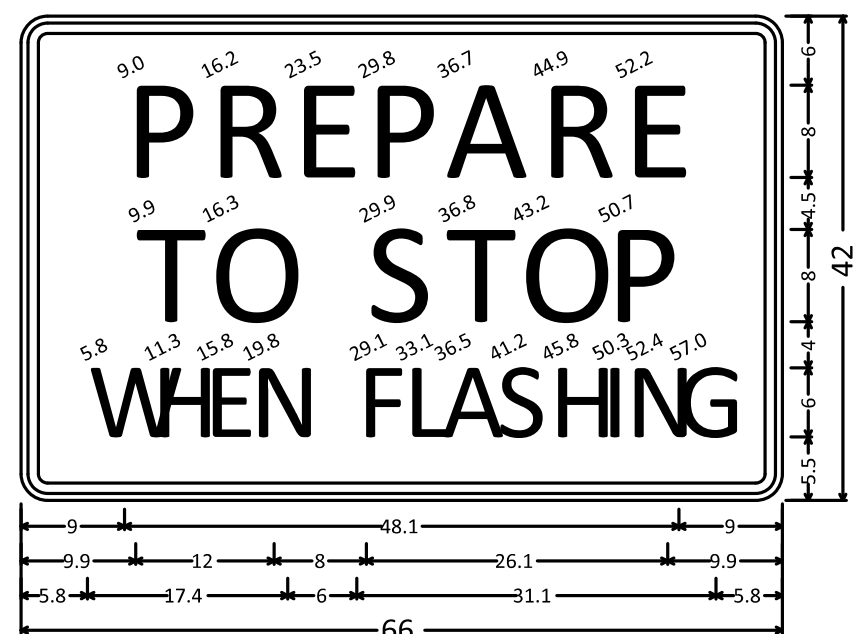
## FRONT VIEW



## FRONT DETAIL



# W3-X4 SIGN PANEL DETAIL



2.3" Radius, 0.9" Border, 0.6" Indent, Black on Yellow;  
 [PREPARE] D; [TO STOP] D; [WHEN FLASHING] C;

### NOTES:

1. TYPE "D" SIGN PANELS SHALL BE BOLTED TO STRINGERS AT 24 INCH MAXIMUM INTERVALS IN ACCORDANCE WITH TYPE "D" STRINGER AND PANEL-JOINT DETAIL (SEE STANDARD SIGNS MANUAL).
2. USE STAINLESS STEEL 5/16 INCH BOLTS, WASHERS, AND NYLON INSERT LOCK NUTS AS SHOWN.
3. STAINLESS STEEL WASHER WITH SAME DIMENSIONS SHALL BE PROVIDED BETWEEN ALL NYLON WASHERS AND BOLT HEADS.
4. ALL DIMENSIONS SHOWN IN INCHES.

PLOTTED/REVISED: 30-DEC-2024  
 PLOT NAME: AWF 12302024  
 PATH & FILENAME: O:\ST\Signals\Details\AdvancedWarningFlasher\AWF 12302024.dgn