

<p>MINNESOTA DEPARTMENT OF TRANSPORTATION</p> <p>DEVELOPED BY: Design Standards</p> <p>ISSUED BY: Office of Project Management and Technical Support, Design Support Section</p>	<p>TRANSMITTAL LETTER NO. (19-02)</p> <p>MANUAL: Standard Plates</p> <p>DATED: June 6, 2019</p>
<p>SUBJECT: Standard Plates 8337 and 8347</p>	

The following Standard Plate has been revised:
8337 – Temporary Portable Precast Concrete Barrier - Type “F” (Sheet 3 of 3)

The following Standard Plate has been updated:
8347 – Portable Precast Concrete Barrier Anchors (For Design 8337 Barrier)

See attached Summary of Changes for specifics.

INSTRUCTIONS:

- Record the transmittal letter number, date, and subject on the transmittal record sheet located in the front of the manual. The previous Transmittal Letter No. issued for this manual was 19-01, dated January 28, 2019.
- Remove from the Standard Plates manual:
 - Standard Plate Index, Sheets 1-4 of 4, Numerical Index of Standard Plates (January 28, 2019)
 - Standard Plate 8337C, Sheet 3 of 3 (April 11, 2011) (back is intentionally left blank)
 - Standard Plate 8347A (September 14, 2012) (back is intentionally left blank)
- Insert into the Standard Plates manual:
 - Standard Plate Index, Sheets 1-4 of 4, Numerical Index of Standard Plates (May 15, 2019)
 - Standard Plate 8337C, Sheet 3 of 3, Temporary Portable Precast Concrete Barrier (Revised May 15, 2019)
 - Standard Plate 8347B, Portable Precast Concrete Barrier Anchors (May 15, 2019)
- Current Standard Plates including Transmittal Letters are available on the web at:
<https://standardplates.dot.state.mn.us/stdplate.aspx>
- Direct any technical questions regarding this transmittal to Bruce Johnson, Design Standards Unit at (651) 366-4674.



Michael Elle, P.E.
Design Standards Engineer

THIS PAGE INTENTIONALLY LEFT BLANK

Summary of Changes
Standard Plate 8337 3 of 3
Temporary Portable Precast Concrete Barrier Type “F”
Transmittal Letter No. 19-02

General

- Changed “CONNECTOR PIN” to “CONNECTION PIN” for consistency with other standards
- Changed “DIA.” to “DIAMETER” in four locations
- Updated fraction format to current practice
- Rotated and cleaned up some dimensions and labels for consistency
- Added “REVISED” section below specification reference

Connection Pin Right Detail

- Corrected top plate welding label
- Added “ASTM” to A36 steel label
- Added “ASTM A36 STEEL” to top plate label

Notes

- The general note was removed as it is no longer necessary
 - The spec for retaining bolt is covered in the detail
 - “AASHTO” not required because it’s an ASTM spec, not an AASHTO spec
 - The ASTM spec is “A36” rather than “A35/A36M” because A35 is a withdrawn spec and A36 is consistent with other states
 - The label in the bottom-right connection pin detail calls out ASTM A36 steel
- Note ① was deleted and the word “optional” was added to the bolt/nut text in the Retainer Bolt and Nut Detail

Summary of Changes
Standard Plate 8347
Portable Precast Concrete Barrier Anchors (For Design 8337 Barrier)
Transmittal Letter No. 19-02

General

- Plate reference updated from 8347A to 8347B
- Changed “DIA.” to “DIAMETER” where space allows (not highlighted)
- Updated fraction format to current practice (not highlighted)
- Revised dimensions for consistency and completeness (not highlighted)
- Corrected welding labels and symbols
- Added “TIE-DOWN STRAP (AFTER BENDING)” detail title to detail
- Added “PLAN VIEW,” “SIDE VIEW,” and “END VIEW” to Tie-Down Strap Anchor detail headings
- Moved steel plate thickness to end of measurement text string (not highlighted)

Tie-Down Strap Anchor Detail

- Added “FOR USE WITH CONCRETE PAVEMENT” below detail title
- Deleted ② symbol

Bituminous Stake Detail

- Added “FOR USE WITH CONCRETE PAVEMENT” below detail title
- Corrected 3” x 3” x 3” stop plate dimension to read 3” x 3” x ½”
- Removed “ASTM A36” from stop plate label and rod label
- Deleted ③ symbol

Bituminous Stake Stop Plate Detail

- Detail added

Notes

- Deleted Note ①
- Moved “ALL COMPONENTS ASTM A36” from Note ② to general notes section
- Deleted Note ③
- Renumbered Note ② to ①

STANDARD PLATES

BLANK	0000 SERIES
PAVEMENT	1000 SERIES
BLANK	2000 SERIES
CULVERTS AND APPURTENANCES	3000 SERIES
SEWER APPURTENANCES	4000 SERIES
EROSION CONTROL STRUCTURES.....	5000 SERIES
BLANK	6000 SERIES
CURB, CURB AND GUTTER, SIDEWALK.....	7000 SERIES
BARRICADES, SIGNALS, MARKERS, ETC.	8000 SERIES
MISCELLANEOUS.....	9000 SERIES

PLATE NO.

0000 SERIES—BLANK

1000 SERIES—PAVEMENT

1070M	Supplemental Pavement Reinforcement
1103K	Typical Dowel Bar Assembly (2 Sheets)
1150R	Concrete Header Joints (2 Sheets)
1210G	Concrete Pavement Adjacent to Railway Crossing

2000 SERIES—BLANK

3000 SERIES—CULVERTS AND APPURTENANCES

3000L	Reinforced Concrete Pipe (5 Sheets)
3001B	Reinforced Concrete Reducer Pipe
3002B	Reinforced Concrete Increaser Pipe
3006G	Gasket Joint for R.C. Pipe (2 Sheets)
3007E	Shear Reinforcement for Precast Drainage Structures
3014J	Reinforced Concrete Pipe Arch (2 Sheets)
3020H	Reinforced Precast Concrete Cattle Pass (60" & 72")
3022C	Precast Concrete Safety Apron (3 Sheets)
3040F	Corrugated Metal Pipe Culvert (Standard 2-2/3" x 1/2" Corrugation)
3041D	Corrugated Metal Pipe (3" x 1" Corrugation)
3050B	Design Data Structural Plate Structures (18" Corner Radius)
3051B	Design Data Structural Plate Structures (31" Corner Radius)
3065C	Connection between Existing Culv. & New "C" Culv. Barrel (2 Sheets)
3066A	C.M. Extension for Box Culvert
3100G	Concrete Apron for Reinforced Concrete Pipe
3110G	Concrete Apron for Reinforced Concrete Pipe-Arch
3114H	Sectional Concrete Apron for Reinforced Concrete Pipe-Arch
3122K	Metal Apron for C.M. Pipe-Arch Culvert
3123J	Metal Apron for C.S. Pipe
3124B	Metal Apron Connection
3125A	Inlet Protection for Metal Culverts (90" dia. to 96" dia.)
3126B	Inlet Protection for Structural Plate Pipe (60" thru 96" dia. or span)
3127A	Inlet Protection for Structural Plate Pipe (102" thru 180" dia. or span)

PLATE NO.

3128H	Metal Safety Apron & Grate (2 Sheets)
3129A	Metal Apron for Corrugated Polyethylene Pipe (Use at Entrances and Driveways)
3131C	Precast Concrete Headwall for Subsurface Drains
3132A	Grate for 1:4 Precast Concrete Aprons
3133D	Riprap at RCP Outlets
3134D	Riprap at CSP Outlets
3135A	Hand-Placed Riprap at Precast Concrete Cattle Pass
3136B	Slotted Vane Drain for P.V.C. Pipe
3137B	Slotted Drain for 12" thru 30" Dia. C.M. Pipe (Stackable)
3138B	Slotted Drain for 12" thru 30" Dia. C.M. Pipe (Not Stackable)
3139B	Riprap at Precast Concrete End Sections
3142A	Outlet Screen for C.M. & S.C. Pipes
3143C	Inspection Tees
3145G	Concrete Pipe or Precast Culvert Ties
3146C	Anti-Seepage Diaphragm (For CMP and CMP-A)
3148A	Safety Slope Metal End Section for Circular & Arched Pipes (2 Sheets)
3221C	Corrugated Steel Pipe Coupling Band (3 Sheets)

4000 SERIES—SEWER APPURTENANCES

Drainage Structure and Castings (4 Sheets)

- Structure and Casting Combinations
- Standard Casting Assemblies
- List of Castings
- List of Drainage Structures

4000J	Manhole or Catch Basin (Masonry, Field Constructed) - Design A
4002F	Manhole or Catch Basin (Masonry, Field Construction) - Design C
4003B	30" Precast Catch Basin – Design N
4005M	Manhole or Catch Basin Type A & B Cone Sections Precast - Design F
4006L	Manhole or Catch Basin Precast - Designs G and H
4007C	Precast Mechanical Joint Sewer Manhole
4008E	Catch Basin (Sectional Concrete Pipe) - Design I
4009H	Manhole or Catch Basin (Sectional Concrete Pipe) - Design J
4010H	Concrete Short Cone & Adjusting Ring (Sectional Concrete)
4011E	Precast Concrete Base
4017C	Catch Basin (Concrete Pipe and Metal Pipe) - Designs PC and PM
4018B	Manhole or Catch Basin (Reducer Cone Section Precast) Design D
4020J	Manhole or Catch Basin (For Use With or Without Traffic Loads) (2 sheets)
4021F	Precast Curb Opening Catch Basin
4022A	Manhole or Catch Basin Cover (3 ft. X 2 ft. Opening)
4024A	48" Dia. Precast Shallow Depth Catch Basin - Design SD
4025B	Drop Inlets or Catch Basins - Design DI (Concrete & Metal)
4026A	Concrete Encased Concrete Adjusting Rings
4101D	Ring Casting For Manhole or Catch Basin
4108F	Adjusting Rings for Catch Basins and Manholes
4110F	Cover Casting for Manhole (For Use in all Traffic Areas) – Casting No. 715 and 716
4125D	Catch Basin Frame Casting (For Square Grate) – Casting No. 806
4126F	Catch Basin Frame Casting – Casting No. 801
4129G	Catch Basin Frame Casting (For Square Grate) - Casting No. 802A
4132G	Catch Basin Frame Casting (For Square Grate) – Casting No. 805
4133A	Curb Box Casting for Catch Basin - Casting No. 824
4134A	Curb Box Casting for Catch Basin (For Design B Curbs) - Casting No. 825
4140D	Special Grate Castings for Catch Basin (Convex and Concave) - Casting No. 720 and 721
4143E	Stool Grate & Concrete Frame (Median Drains) - Casting No. 731
4149C	Grate Casting for Catch Basin - Casting No. 810

PLATE NO.

- 4150C Grate Casting for All Pipe Drainage Structures
- 4151B Grate Casting for Catch Basin (Square Type) - Casting No. 811
- 4152C Catch Basin Grate Casting - Casting No. 814A
- 4153A Catch Basin Grate Casting - Casting No. 815
- 4154B Catch Basin Grate Casting - Casting No. 816
- 4155A ADA Grate Inlet Casting – Casting No. 817
- 4160D Curb Box Casting for Catch Basin - Casting No. 823A and 833A
- 4161F Curb Box Casting for Catch Basin - Casting No. 821B, 822 and 831A
- 4180J Manhole or Catch Basin Step

5000 SERIES—EROSION CONTROL STRUCTURES

- 5010A Reinforced Concrete Pipe Energy Dissipator

6000 SERIES—Blank

7000 SERIES—CURB, CURB AND GUTTER, SIDEWALK

- 7000E Integrant Curbs (Design B, Design V and Design D)
- 7020K Concrete Curb (Design B, Design V, Design S, Design DR and Design BR) (2 Sheets)
- 7038A Detectable Warning Surface Truncated Domes
- 7065C Bituminous Curb
- 7100H Concrete Curb and Gutter (Design B and Design V)
- 7102K Concrete Curb and Gutter (Design D, Design S, and Design R)
- 7105C Concrete Median (Mountable Type)
- 7107I Entrance Nose (Urban Design)
- 7108G Exit Nose (Urban Design)
- 7109C Median Nose and Island (Undivided to Divided Roadway)
- 7111J Installation of Catch Basin Castings (Concrete Curb and Gutter)
- 7112C Installation & Reinforcement of Catch Basin & Manhole Castings (Concrete Integrant Curbs)
- 7113A Concrete Approach Nose Detail

8000 SERIES—BARRICADES, SIGNALS, MARKERS, ETC.

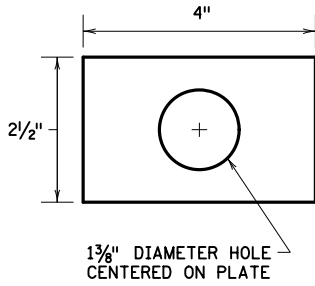
- 8000J Channelizers
- 8002G Permanent Barricade
- 8106D Equipment Pad B
- 8107A RLF Equipment Pad Foundation Layout
- 8110E Traffic Signal Bracketing (Pole Mounted)
- 8111E Traffic Signal Bracketing (Pedestal Mounted) (3 Sheets)
- 8112I Pedestal Foundation (Traffic Control Signals)
- 8117G Precast Concrete HandHole With Vehicle Load
- 8118D Service Equipment & Pole Traffic Control Signals
- 8119C Ground Mounted Cabinet Foundation
- 8120Q Pole Foundation (PA85)
- 8121H Transformer Base and Pole Base Plate (PA85, PA90 and PA100) (2 Sheets)
- 8122F Pedestal and Pedestal Base (For Traffic Control Signals Support) (2 Sheets)
- 8123G Pole and Mast Arm Luminaires and Traffic Lights Assembly (For All Pole Types) (2 Sheets)
- 8126L Pole Foundation (PA90 and PA100)
- 8127E Light Foundation - Design E, Precast/Cast-In-Place, 40 ft. Pole or Less (2 Sheets)
- 8128E Light Foundation - Design H, Precast/Cast-In-Place, 49 ft. Pole (2 Sheets)

PLATE NO.

8129A	Shim and Washer (Traffic Control Signals and Roadway Lighting)
8130E	Saw Cut Loop Detectors (3 Sheets)
8132B	Prefomed Rigid PVC Conduit Loop Detector (3 Sheets)
8133A	Pole and Mast Arm - Type BA (9 Sheets)
8134C	Pole Foundation - Type BA (4 Sheets)
8150C	Installation of Culvert Markers
8307S	W-Beam Guardrail & End Anchorages (Installation with Wood Posts) (4 Sheets)
8308B	Reinforced Concrete Median Barrier Type F (Non-Glare Screen Type) Design 8308 (3 Sheets)
8309B	Reinforced Concrete Median Barrier Type F & Glare Screen Design 8309 (3 Sheets)
8316C	Post Seat for Anchorage on Footing or Box Culverts
8318C	Guardrail Anchorage Plate for Bridges and BCT'S
8326D	Flexible Plastic Glare Screen
8329I	Eccentric Loader Breakaway Cable Terminal (ELT) (4 Sheets)
8330G	3-Cable Guardrail (With Wood Posts) (Assembly Details) (2 Sheets)
8331B	3-Cable Guardrail (With Steel Posts) (3 Sheets)
8332D	Anchor Bolt Cluster and Base Plate for Light Poles
8333B	3-Cable Guardrail Anchor (Anchor Details) (4 Sheets)
8337C	Temporary Portable Precast Concrete Barrier (Type "F") (3 Sheets)
8338D	W-Beam Guardrail & End Anchorages (Installation with Steel Posts) (4 Sheets)
8339A	3-Cable (Steel Posts) to W Beam (Wood Posts) Guardrail Transition
8340A	3-Cable (Steel Posts) to W Beam (Steel Posts) Guardrail Transition
8342B	High-Tension Cable Barrier Line Post Foundation (Concrete Design)
8343A	High-Tension Cable Barrier Line Post Foundation (Steel Design)
8347B	Portable Precast Concrete Barrier Anchors
8350A	Thrie Beam Anchorage Plate
8352B	Thrie Beam Wedge Plate for Single Slope Barrier
8360A	Guardrail Post Length Marking
8400F	Pipe Railing

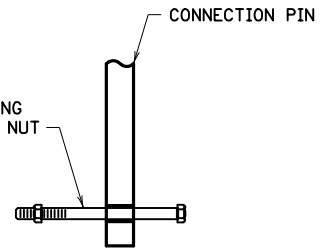
9000 SERIES—MISCELLANEOUS

9000E	Approaches and Entrances - Recommended Standards
9101B	Shaping and Sodding of Slopes at Box Culvert Ends
9303B	Geodetic Survey Disks (Aluminum) (2 Sheets)
9304A	Geodetic Survey Disks (Removable Type Disk)
9308A	Survey Monument Cap (2 Sheets)
9309G	PLS (Public Land Survey) Monument (2 Sheets)
9320G	Woven Wire Fence (Wood Post)
9321E	Woven Wire Fence (Steel Post)
9322K	Chain Link Fence (2 Sheets)
9323D	Barbed Wire Fence (Wood Post)
9324C	Barbed Wire Fence (Steel Post)
9350A	Mailbox Support (Swing-Away Type)

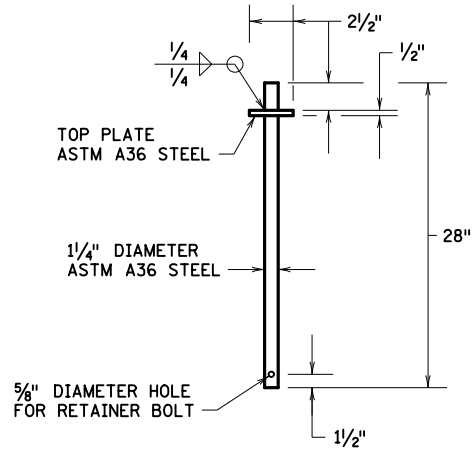
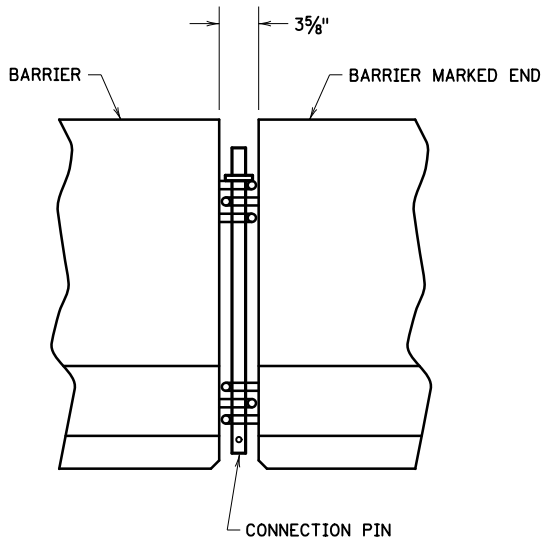


TOP PLATE
DETAIL

1/2" DIAMETER X 10" LONG
GRADE 8 HEX BOLT AND NUT
(OPTIONAL)



RETAINER BOLT
AND NUT DETAIL



CONNECTION PIN DETAILS

APPROVED APRIL 11, 2011

M. J. E.
STATE DESIGN ENGINEER

STATE OF MINNESOTA
DEPARTMENT OF TRANSPORTATION
**TEMPORARY PORTABLE PRECAST
CONCRETE BARRIER**
TYPE "F"

SPECIFICATION
REFERENCE
2533 3301 3309

REVISED
05-15-2019 M.J.E.

STANDARD
PLATE
NO.

8337C
3 OF 3

THIS PAGE INTENTIONALLY LEFT BLANK

THIS PAGE INTENTIONALLY LEFT BLANK