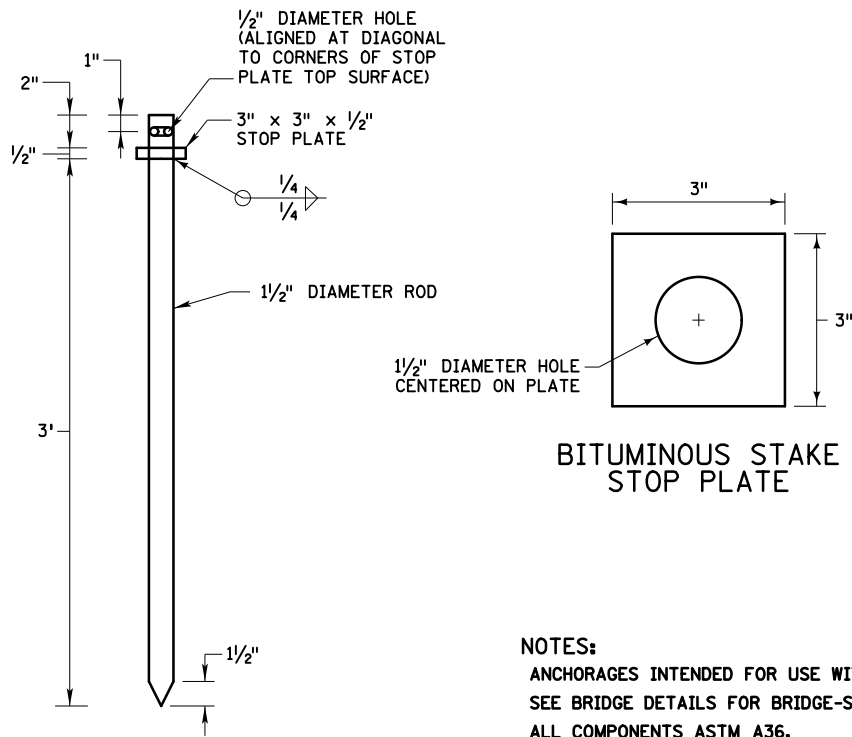


TIE-DOWN STRAP ANCHOR ①
FOR USE WITH CONCRETE PAVEMENT



NOTES:
ANCHORAGES INTENDED FOR USE WITH TYPE 8337 BARRIER ONLY.
SEE BRIDGE DETAILS FOR BRIDGE-SPECIFIC ANCHORAGES.
ALL COMPONENTS ASTM A36.

① ALL COMPONENTS GALVANIZED PER MNDOT SPEC. 3392.

APPROVED MAY 15, 2019

Rom S. J.
STATE DESIGN ENGINEER

STATE OF MINNESOTA
DEPARTMENT OF TRANSPORTATION
**PORTABLE PRECAST CONCRETE
BARRIER ANCHORS**
(FOR DESIGN 8337 BARRIER)

SPECIFICATION
REFERENCE

2533

STANDARD
PLATE
NO.

8347B