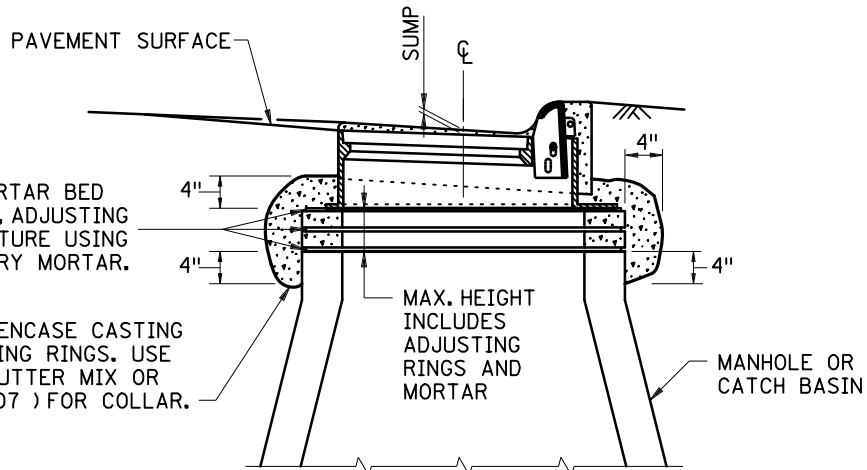


PLAN



SECTION

PROVIDE FULL MORTAR BED BETWEEN CASTING, ADJUSTING RINGS AND STRUCTURE USING SPEC. 3107 MASONRY MORTAR.

CONCRETE COLLAR TO ENCASE CASTING AND CONCRETE ADJUSTING RINGS. USE CONCRETE CURB AND GUTTER MIX OR MORTAR MIX ( SPEC. 3107 ) FOR COLLAR.

MAX. HEIGHT INCLUDES ADJUSTING RINGS AND MORTAR

**NOTES:**

SEE PLATE 4010 FOR MAXIMUM NUMBER AND HEIGHT OF ADJUSTING RINGS.

USE ADJUSTING RINGS FOR VERTICAL ADJUSTMENTS ONLY.

APPROVED 09-30-2022

*Rom Sln*  
STATE DESIGN ENGINEER

STATE OF MINNESOTA  
DEPARTMENT OF TRANSPORTATION

**CONCRETE-ENCASED  
CONCRETE ADJUSTING RINGS**

SPECIFICATION  
REFERENCE

2506

STANDARD  
PLATE  
NO.

**4026B**