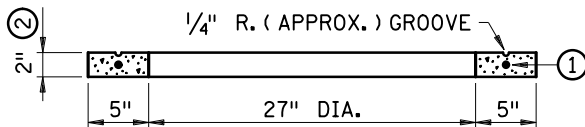
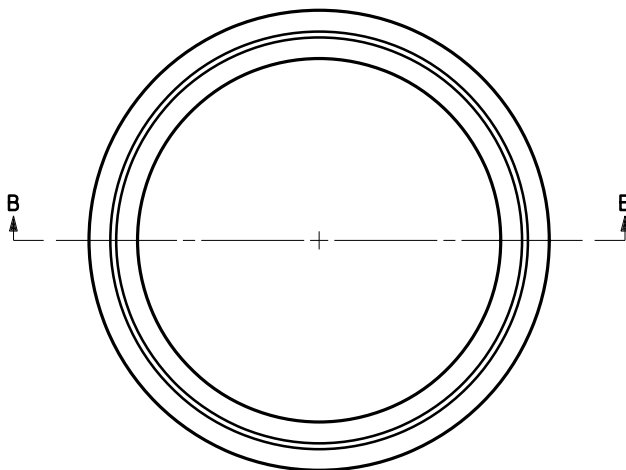


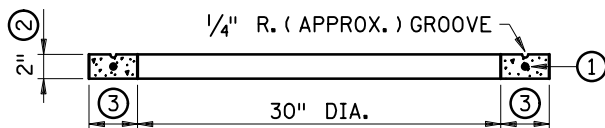
TOP VIEW



SECTION A-A



TOP VIEW



SECTION B-B

NOTES:

ON CONSTRUCTION OF NEW DRAINAGE STRUCTURES, LIMIT THE NUMBER OF CONCRETE ADJUSTING RINGS USED PER MANHOLE OR CATCH BASIN TO TWO RINGS WITH A TOTAL MAXIMUM THICKNESS OF 9" INCLUDING MORTAR.


UP TO THREE RINGS WITH A MAXIMUM TOTAL THICKNESS OF 12" INCLUDING MORTAR ARE ALLOWED WHEN RECONSTRUCTING INPLACE STRUCTURES WITH A GRADE CHANGE.

CONCRETE ADJUSTING RINGS ARE RECOMMENDED BUT NOT REQUIRED ON ALL STRUCTURES.

CONCRETE ADJUSTING RINGS MUST BE ENCASED IN MORTAR, SEE STANDARD PLATE 4026.

MINIMUM SPECIFIED CONCRETE STRENGTH = 5000 PSI AT TIME OF SHIPMENT.

- ① REINFORCING:
A SINGLE HOOP OF MINIMUM DIAMETER 0.192" DEFORMED WIRE MEETING THE REQUIREMENTS OF ASTM A1064. PLACE WIRE WITHIN THE MIDDLE THIRD OF THE RING (HORIZONTALLY AND VERTICALLY) WITH A 1/8" TOLERANCE, EXCEPT PROVIDE MINIMUM CLEAR COVER OF 7/8" VERTICALLY FOR 2" THICK RINGS.
- ② VARIABLE THICKNESS, 2" MINIMUM TO 6" MAXIMUM.
- ③ VARIABLE WIDTH, 4" MINIMUM TO 5" MAXIMUM.

APPROVED 09-30-2022

 STATE DESIGN ENGINEER

STATE OF MINNESOTA
 DEPARTMENT OF TRANSPORTATION
CONCRETE ADJUSTING RINGS

SPECIFICATION
 REFERENCE
 2506

STANDARD
 PLATE
 NO.
4010I