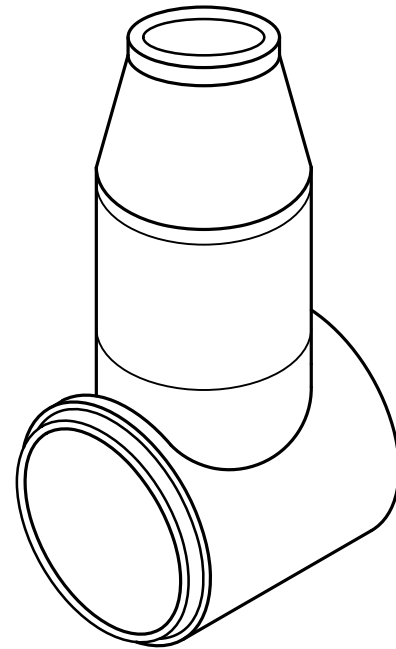
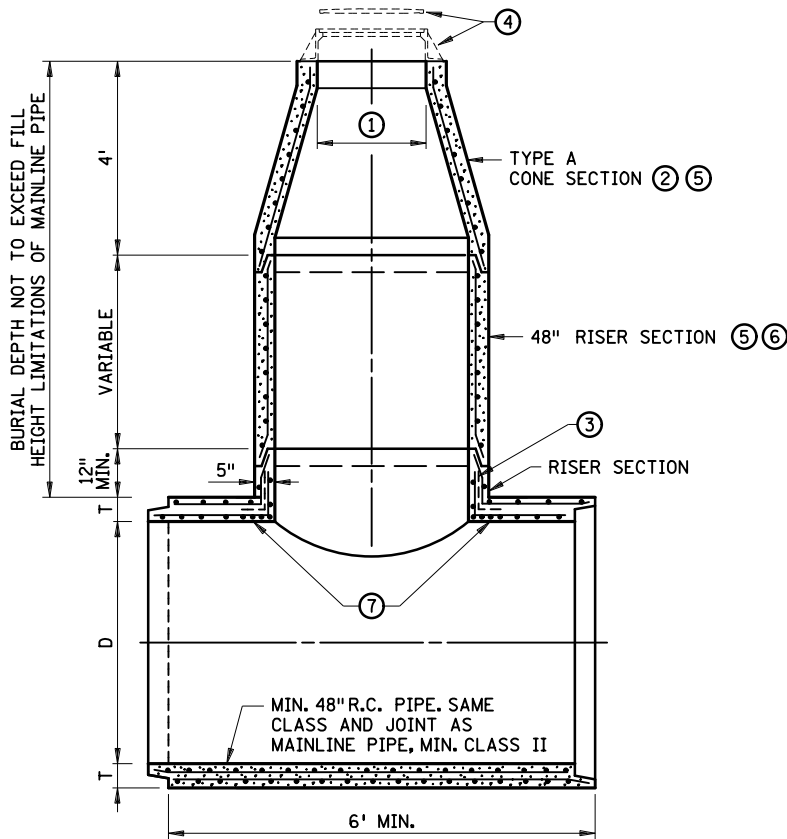


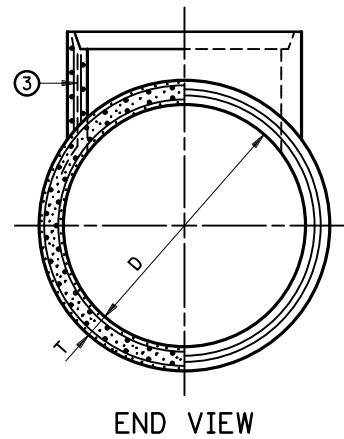
TOP VIEW



PERSPECTIVE VIEW



SECTIONAL VIEW



END VIEW

**NOTES:**

INLET/OUTLET HOLES LARGER THAN 7" ARE NOT PERMITTED IN THE CONE SECTION. REFER TO STANDARD PLATE 4020 FOR HOLE SIZE RESTRICTIONS IN THE RISER PIPE.

- ① 2' 3" NORMAL OPENING.
- ② USE STANDARD PLATE 4005 TYPE A CONE SECTION UNLESS OTHERWISE INDICATED IN THE PLANS.
- ③ WHEN FABRICATED AS A SINGLE UNIT, PLACE 8 EQUALLY SPACED NO. 3 X 24" BARS OR WELDED WIRE REINFORCEMENT (WWR) OF EQUIVALENT AREA IN THE LOCATION SHOWN. WHEN NOT FABRICATED AS A SINGLE UNIT, CUT, BEND, OVERLAP AND FASTEN THE EXISTING WWR IN THE TRUNK LINE PIPE TO THE WWR OF THE BRANCH CONNECTION PRIOR TO MORTARING THE PIECES TOGETHER.

- ④ REFER TO PLANS FOR CASTINGS REQUIRED. USE ADJUSTING RINGS WHERE NECESSARY, SEE STANDARD PLATES 4010 AND 4026. SET CASTING AND PRECAST CONCRETE ADJUSTING RINGS ON FULL MORTAR BEDS.
- ⑤ REFER TO PLANS FOR ANY STEP REQUIREMENTS.
- ⑥ REINFORCE RISER WITH SINGLE LINE CIRCUMFERENTIAL WELDED WIRE REINFORCEMENT WITH CROSS SECTIONAL AREA NOT LESS THAN 0.18 SQ. IN. PER FOOT OF HEIGHT PER THE TEMPERATURE & SHRINKAGE PROVISIONS OF ACI 350.
- ⑦ REPLACE CUT CIRCUMFERENTIAL REINFORCEMENT IN MAINLINE PIPE, HALF EACH SIDE OF OPENING.

DESIGN J

APPROVED 09-30-2022

*Rom S. Smith*  
STATE DESIGN ENGINEER

STATE OF MINNESOTA  
DEPARTMENT OF TRANSPORTATION  
**MANHOLE OR CATCH BASIN - INTEGRAL  
TEE SECTION**  
SECTIONAL CONCRETE PIPE

SPECIFICATION  
REFERENCE  
2506

STANDARD  
PLATE  
NO.  
**4009I**