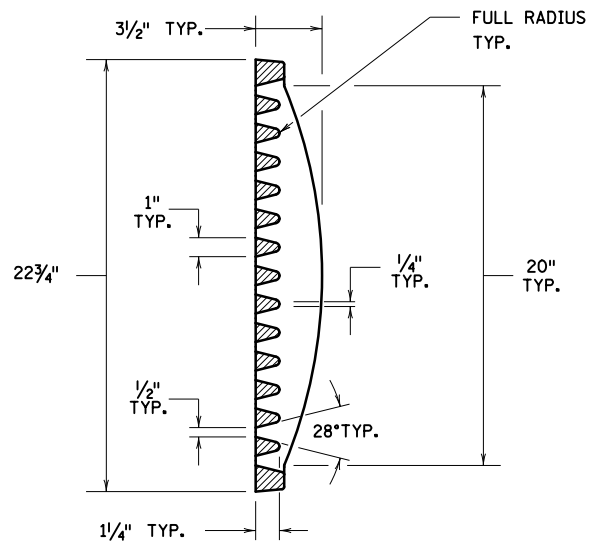
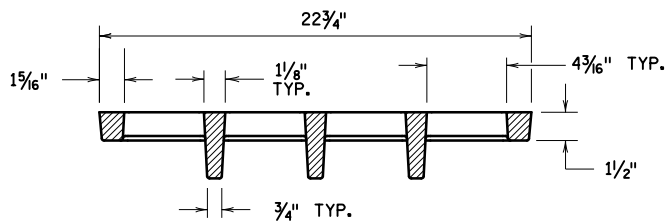


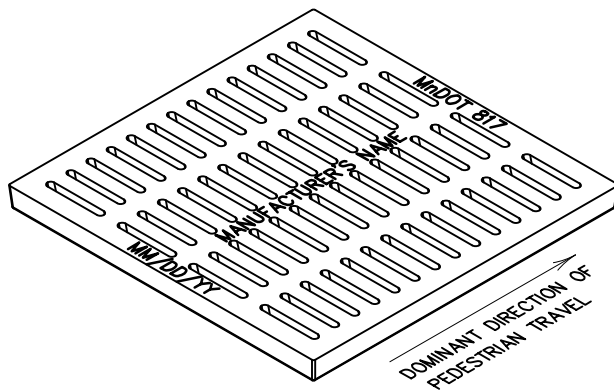
TOP VIEW



SECTION B-B



SECTION A-A



ISOMETRIC TOP VIEW

NOTES:
 THIS GRATE MEETS ADA REQUIREMENTS.
 THIS GRATE USED WITH FRAME CASTING NO. 805.
 CAST GRAY IRON, AASHTO M105/ASTM A48, CLASS 35B.
 PRODUCT MARKING PER AASHTO M 105. CASTING SHALL INCLUDE: MANUFACTURER, CASTING DATE, MnDOT DESIGNATION, AND CASTING NUMBER. MARKING TEXT SHALL BE 3/4" IN HEIGHT AND DEPRESSED 1/8".

GRATE CASTING NO. 817

APPROVED SEPTEMBER 19, 2018

Ron S...
 STATE DESIGN ENGINEER

STATE OF MINNESOTA
 DEPARTMENT OF TRANSPORTATION

ADA GRATE INLET CASTING

SPECIFICATION
 REFERENCE

2506

STANDARD
 PLATE
 NO.

4155A