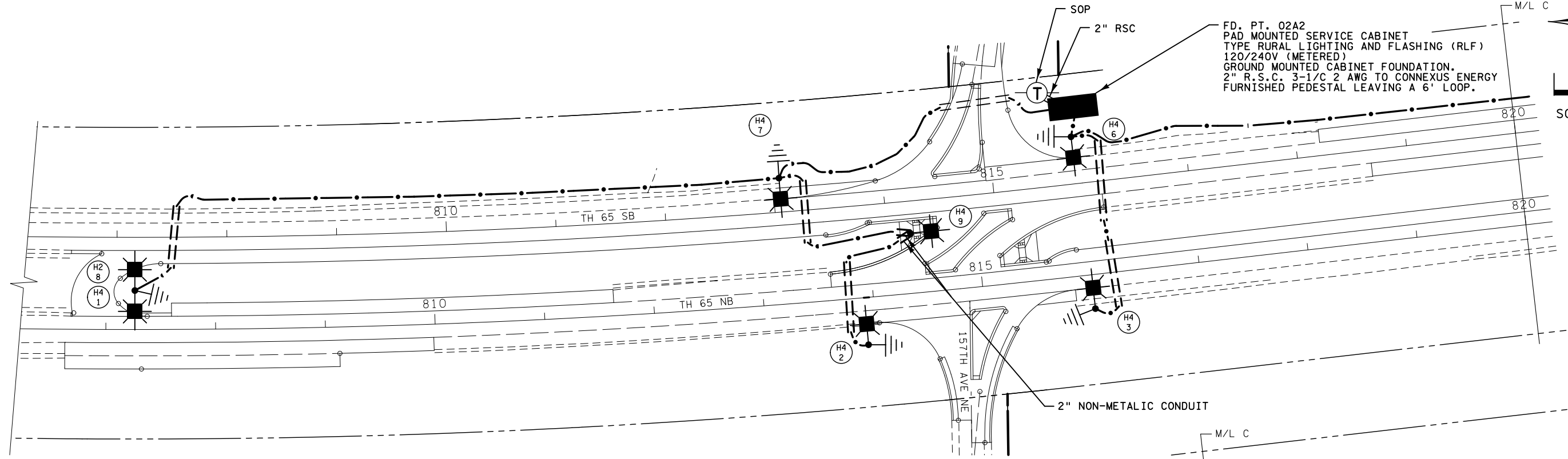
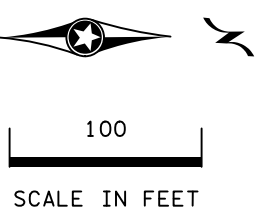


DISTRICT #: Metro  
 IPLOT NAME: 10208157.ltr.load  
 PATH & FILENAME: Projects\DM\_R05\065\0208157\Traffic\Lighting\0208157.ltr.load.dgn

PLOTTED/REVISED: 3-DEC-2019



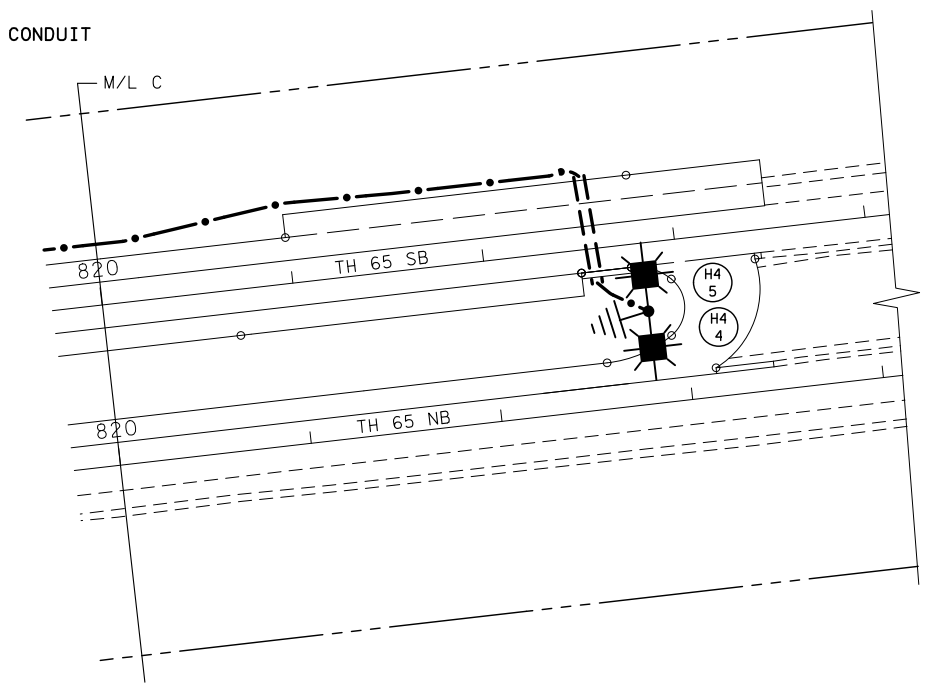
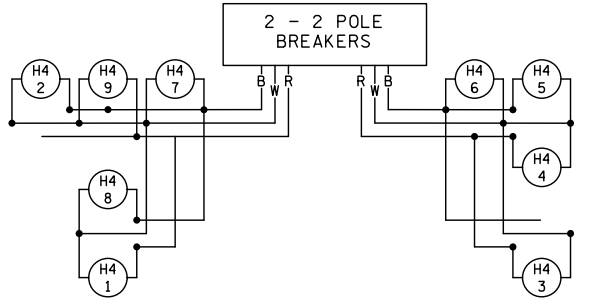
FD. PT. 02A2  
 PAD MOUNTED SERVICE CABINET  
 TYPE RURAL LIGHTING AND FLASHING (RLF)  
 120/240V (METERED)  
 GROUND MOUNTED CABINET FOUNDATION.  
 2" R.S.C. 3-1/C 2 AWG TO CONNEXUS ENERGY  
 FURNISHED PEDESTAL LEAVING A 6' LOOP.



FEEDPOINT 02H4  
LIGHTING UNIT LOCATION AND TYPE

NO.	STATION	LT.	RT.	LOCATION	TYPE	FOUNDATION
1	807+25	X		NB TH65	9D-40	E
2	813+90		X	NB TH65	9-40	
3	816+00		X	NB TH65	9-40	
4	822+80	X		NB TH65	9D-40	
5						
6	815+75	X		SB TH65	9-40	
7	813+05	X		SB TH65	9-40	
9	814+40	X		NB TH65	9-40	E

W DENOTES NEUTRAL CONDUCTOR  
 B AND R DENOTE CURRENT CARRYING CONDUCTORS  
 FD. PT. 02H4  
 240/480 VOLT



**LEGEND**

- LIGHTING UNIT
- PERMANENT GROUND ROD (25 OHMS OR LESS)
- DIRECT BURIED LIGHTING CABLE 4/C 4 AWG
- FD. PT. CABINET
- 3" PVC DIRECTIONAL BORED (UNLESS OTHERWISE NOTED)
- LIGHTING UNIT IDENTIFIER
- RIGHT OF WAY

**LIGHTING SYSTEM "A"**

BY	DATE	REVISIONS	FEEDPOINT: 02H4	LOCATION: 157TH AVE NE	<b>LIGHTING PLAN</b>
			METER ADDRESS: 15716 HIGHWAY 65, HAM LAKE, MN 55304		
DRAWN BY: JC	CKD BY: PB		CERTIFIED BY <i>Michael P. Lubinsky</i>	LIC. NO. 19863	DATE: 3-DEC-2019
			STATE PROJ. NO. 0208-157 (T.H. 65) SHEET NO. SL7 OF SL11 SHEETS		