

PLOTTED/REVISED: 13-DEC-2023

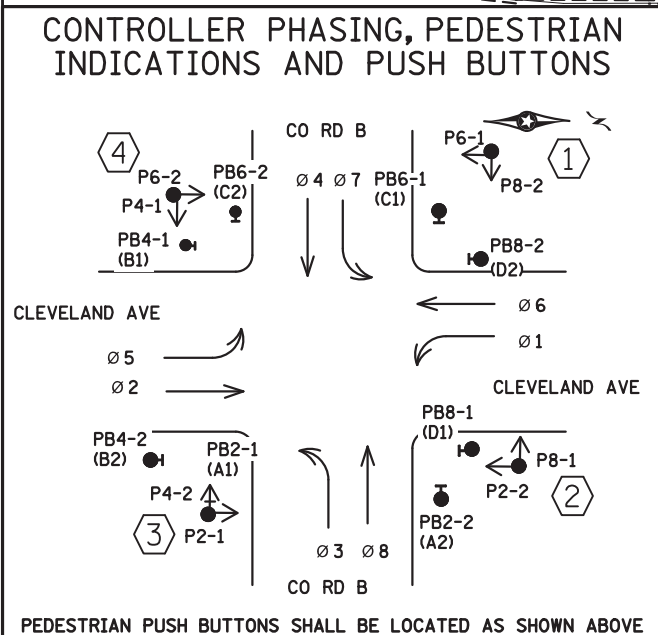
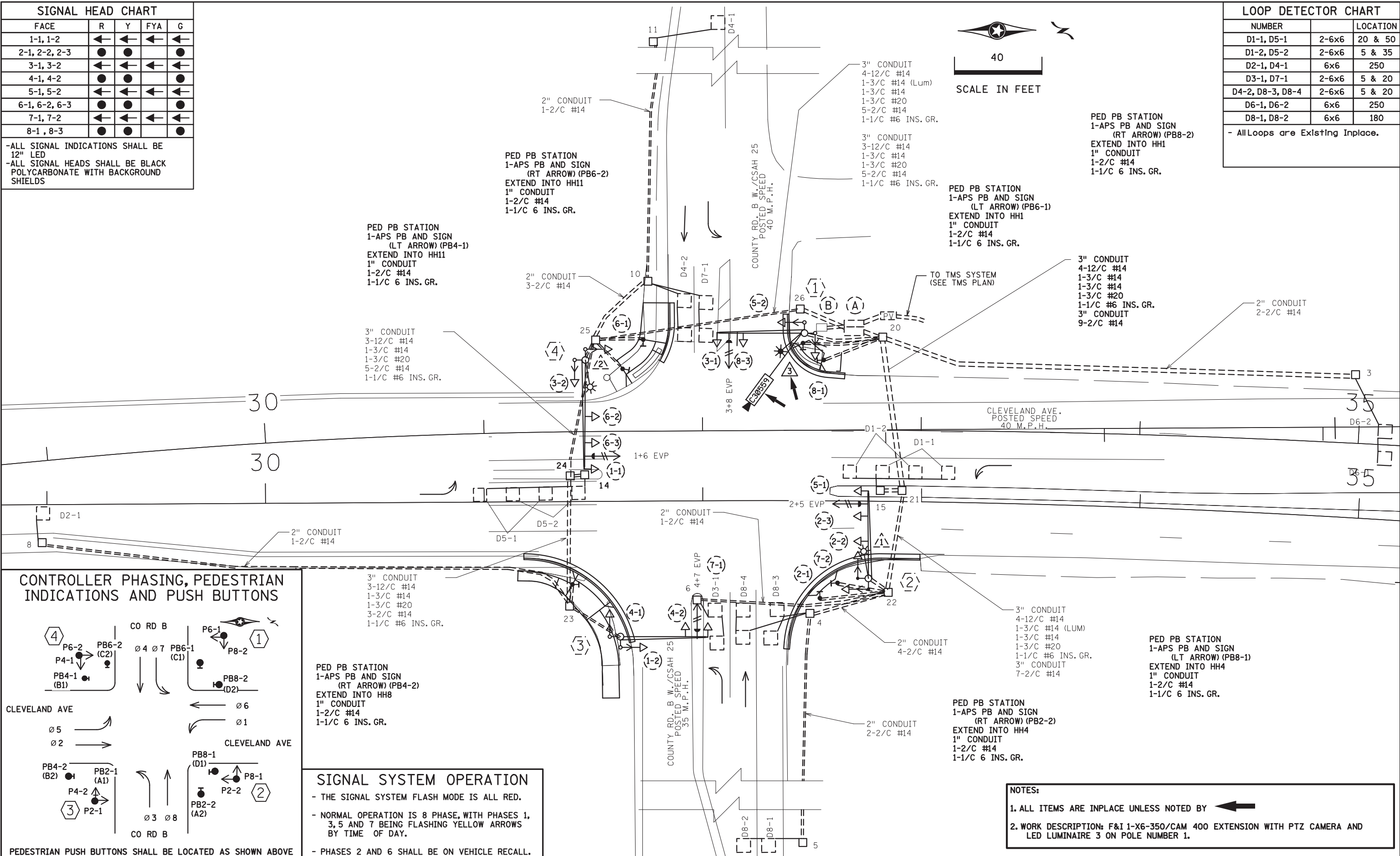
PLOT NAME: system A layout
FILENAME: Projects\DM_FOS\036\0000\Traffic\Signals\00_Cleveland Ave At Co.Rd B-2093957\Pending\T 2093957_sgl.dgn

| SIGNAL HEAD CHART | | | | |
|-------------------|---|---|-----|---|
| FACE | R | Y | FYA | G |
| 1-1, 1-2 | ← | ← | ← | ← |
| 2-1, 2-2, 2-3 | ● | ● | ● | ● |
| 3-1, 3-2 | ← | ← | ← | ← |
| 4-1, 4-2 | ● | ● | ● | ● |
| 5-1, 5-2 | ← | ← | ← | ← |
| 6-1, 6-2, 6-3 | ● | ● | ● | ● |
| 7-1, 7-2 | ← | ← | ← | ← |
| 8-1, 8-3 | ● | ● | ● | ● |

-ALL SIGNAL INDICATIONS SHALL BE 12" LED
-ALL SIGNAL HEADS SHALL BE BLACK POLYCARBONATE WITH BACKGROUND SHIELDS

| LOOP DETECTOR CHART | | |
|---------------------|-------|----------|
| NUMBER | SIZE | LOCATION |
| D1-1, D5-1 | 2-6x6 | 20 & 50 |
| D1-2, D5-2 | 2-6x6 | 5 & 35 |
| D2-1, D4-1 | 6x6 | 250 |
| D3-1, D7-1 | 2-6x6 | 5 & 20 |
| D4-2, D8-3, D8-4 | 2-6x6 | 5 & 20 |
| D6-1, D6-2 | 6x6 | 250 |
| D8-1, D8-2 | 6x6 | 180 |

- All Loops are Existing Inplace.



SIGNAL SYSTEM OPERATION

- THE SIGNAL SYSTEM FLASH MODE IS ALL RED.
- NORMAL OPERATION IS 8 PHASE, WITH PHASES 1, 3, 5 AND 7 BEING FLASHING YELLOW ARROWS BY TIME OF DAY.
- PHASES 2 AND 6 SHALL BE ON VEHICLE RECALL.

NOTES:

1. ALL ITEMS ARE INPLACE UNLESS NOTED BY ←
2. WORK DESCRIPTION: F&I 1-X6-350/CAM 400 EXTENSION WITH PTZ CAMERA AND LED LUMINAIRE 3 ON POLE NUMBER 1.

| BY | DATE | REVISIONS | SYSTEM ID: 2093957 | T.E.100205 | S.A.P. NO. | DRAWN BY: SJK | CKD BY: GAK | DATE: 12/13/23 |
|----|------|-----------|-------------------------------------|------------|-----------------------------------|----------------|------------------------------|----------------|
| | | | METER ADDRESS: 2151 CLEVELAND AVE N | | CERTIFIED BY: <i>Gregory Ken</i> | LIC. NO. 26829 | DATE: 12/13/23 | |
| | | | OLD SYSTEM ID: | | STATE PROJ. NO. 6212-192 (T.H.36) | | SHEET NO. SS9 OF SS30 SHEETS | |

(A) EQUIPMENT PAD (SEE DETAIL SHEET)
 SERVICE CABINET (SSB)
 CONTROLLER AND CABINET (STATE FURNISHED)
 3" CONDUIT INTO HH 20
 4-12/C #14
 1-3/C #14
 1-3/C #20
 1-1/C #6 INS. GR.
 3" CONDUIT INTO HH 20
 4-12/C #14
 1-3/C #14
 1-3/C #20
 1-1/C #6 INS. GR.
 3" CONDUIT INTO HH 20
 13-2/C #14
 F&I: 1-COM CABLE (CAT5E)
 3" CONDUIT INTO HH 26
 4-12/C #14
 1-3/C #14
 1-3/C #20
 5-2/C #14
 1-1/C #6 INS. GR.
 3" CONDUIT INTO HH 26
 3-12/C #14
 1-3/C #14
 1-3/C #20
 5-2/C #14
 1-1/C #6 INS. GR.

GROUND WIRE AND GROUND ROD - MIN 8' OUT FROM PAD
 2-2" AND 1-3" CONDUIT STUBBED OUT (CAPPED BOTH ENDS)
 CONTROLLER CABINET TO SERVICE CABINET
 2" CONDUIT
 3-1/C #6
 1-1/C #6 INS. GR.
 CONTROLLER CABINET TO SERVICE CABINET (COMMS)
 2" CONDUIT
 1-6PR #19
 2-1/C #6
 1-1/C #6 INS. GR.
 CONTROLLER CABINET TO PULL VAULT
 2" CONDUIT
 → 1-FO PIGTAIL (6SM) (SEE TMS PLAN)
 SERVICE CABINET TO HH 20
 2" CONDUIT
 1-3/C #14 (LUM)
 → F&I: 1-3/C #14 (LUM)
 SERVICE CABINET TO HH 26
 2" CONDUIT
 1-3/C #14 (LUM)

(B) SOURCE OF POWER
 PAD MOUNTED TRANSFORMER
 TRANSFORMER TO SERVICE CABINET
 2" CONDUIT
 3-1/C #2

(1) PA90 POLE FOUNDATION
 TYPE PA90-A-40
 1-ANGLE MOUNT SIGNAL OVERHEAD AT 0' (3-1)
 1-STRAIGHT MOUNT SIGNAL OVERHEAD AT 11' (8-3)
 2-ANGLE MOUNT SIGNALS AT 90*(5-2) AND 180*(8-1)
 2-ANGLE MOUNT C.D. PED IND AT 90*(P6-1) AND 180*(P8-2)
 1-WAY EVP DETECTOR (PHASE #3+#8) MOUNTED 6' FROM END OF MAST ARM
 1-WAY EVP CONFIRMATOR LIGHT
 1-LEFT TURN YIELD ON FLASHING YELLOW ARROW SIGN
 TYPE "D" SIGN - SEE SIGNING SHEET
 3" CONDUIT INTO HH 20
 4-12/C #14
 1-3/C #14
 1-3/C #20
 1-1/C #6 INS. GR.

→ INSTALL: 1-PTZ VIDEO CAMERA (STATE FURNISHED) (C30559)
 → F&I: 1-X6-350/CAM 400 EXTENSION (MOUNTED AT 350 DEG)
 1-LUMINAIRE-LED (FOR 40' MOUNTING HEIGHT)
 1-COM CABLE (CAT5E)
 1-3/C #14 (LUM)
 1-7/16" GROUND BRAID (LIGHTING ROD TO GROUND ROD)

(3) PA90 POLE FOUNDATION
 TYPE PA90-A-40
 1-ANGLE MOUNT SIGNAL OVERHEAD AT 0' (7-1)
 1-STRAIGHT MOUNT SIGNAL OVERHEAD AT 11' (4-2)
 2-ANGLE MOUNT SIGNALS AT 90*(1-2) AND 180*(4-1)
 2-ANGLE MOUNT C.D. PED IND AT 90*(P2-1) AND 180*(P4-2)
 1-WAY EVP DETECTOR (PHASE #4+#7) MOUNTED 6' FROM END OF MAST ARM
 1-WAY EVP CONFIRMATOR LIGHT
 1-APS PB AND SIGN (PB2-1)(LT ARROW)
 1-LEFT TURN YIELD ON FLASHING YELLOW ARROW SIGN
 TYPE "D" SIGN - SEE SIGNING SHEET
 3" CONDUIT INTO HH 23
 3-12/C #14
 1-3/C #14
 1-3/C #20
 1-2/C #14
 1-1/C #6 INS. GR.

(2) PA90 POLE FOUNDATION
 TYPE PA90-A-40-40D-9 (DAVIT AT 350°)
 1-ANGLE MOUNT SIGNAL OVERHEAD AT 0' (5-1)
 2-STRAIGHT MOUNT SIGNAL OVERHEAD AT 11' (2-3) AND 23' (2-2)
 2-ANGLE MOUNT SIGNALS AT 180*(2-1) AND 270*(7-2)
 2-ANGLE MOUNT C.D. PED IND AT 270*(P4-1) AND 180*(P2-2)
 LUMINAIRE-LED (FOR 40' MOUNTING HEIGHT)
 1-WAY EVP DETECTOR (PHASE #2+#5) MOUNTED 6' FROM END OF MAST ARM
 1-WAY EVP CONFIRMATOR LIGHT
 1-LEFT TURN YIELD ON FLASHING YELLOW ARROW SIGN
 TYPE "D" SIGN - SEE SIGNING SHEET
 3" CONDUIT INTO HH 22
 4-12/C #14
 1-3/C #14 (LUM)
 1-3/C #14
 1-3/C #20
 1-1/C #6 INS. GR.

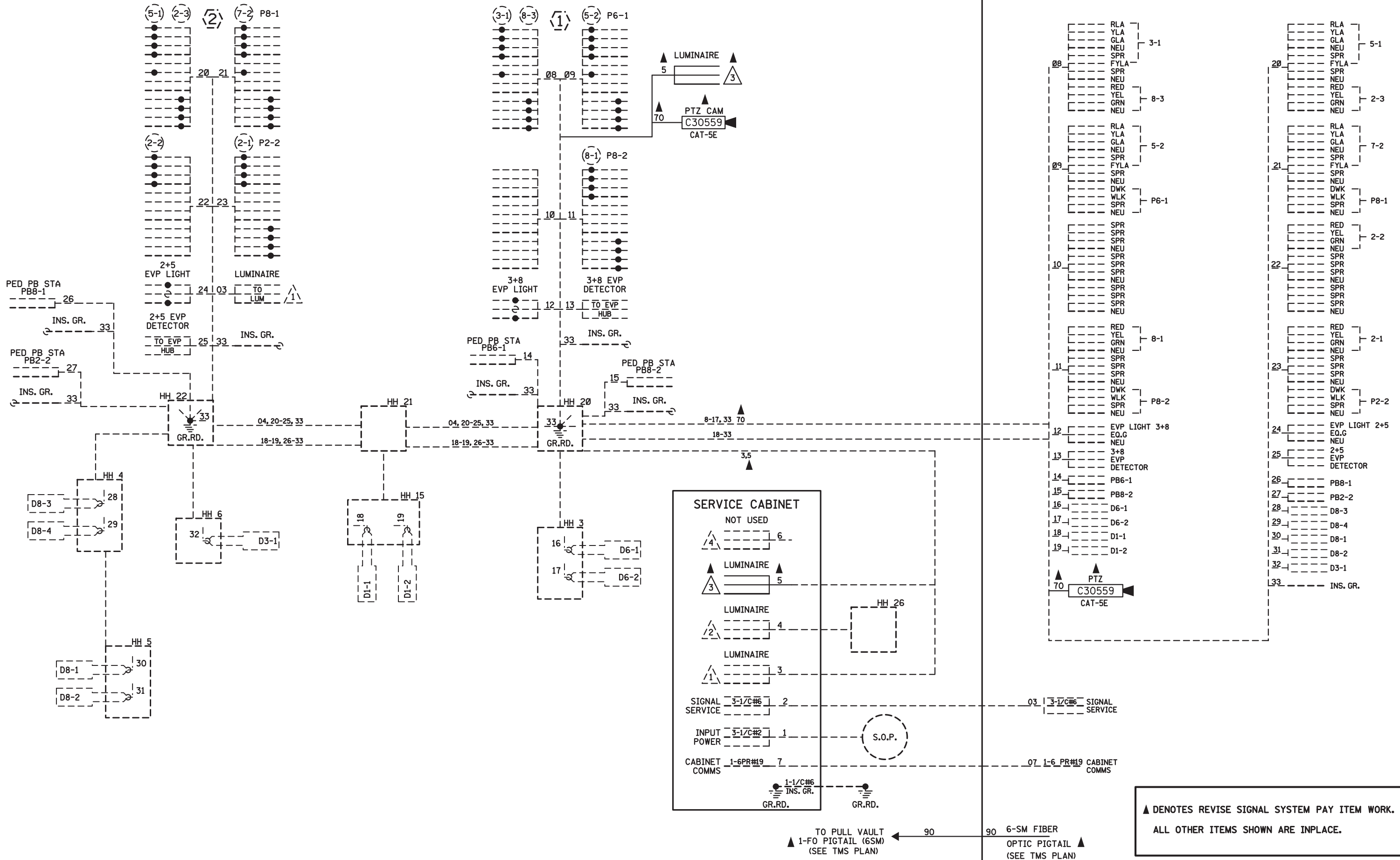
(4) PA100 POLE FOUNDATION
 TYPE PA100-A-50-D40-9 (DAVIT AT 350°)
 1-ANGLE MOUNT SIGNAL OVERHEAD AT 0' (1-1)
 2-STRAIGHT MOUNT SIGNAL OVERHEAD AT 11' (6-3) AND 23' (6-2)
 2-ANGLE MOUNT SIGNALS AT 90*(3-2) AND 180*(6-1)
 2-ANGLE MOUNT C.D. PED IND AT 90*(P4-1) AND 180*(P6-2)
 LUMINAIRE-LED (FOR 40' MOUNTING HEIGHT)
 1-WAY EVP DETECTOR (PHASES #1+#6) MOUNTED 6' FROM END OF MAST ARM
 1-WAY EVP CONFIRMATOR LIGHT
 1-LEFT TURN YIELD ON FLASHING YELLOW ARROW SIGN
 TYPE "D" SIGN - SEE SIGNING SHEET
 3" CONDUIT INTO HH 25
 4-12/C #14
 1-3/C #14 (LUM)
 1-3/C #14
 1-3/C #20
 1-1/C #6 INS. GR.

NOTES:
 1. ALL ITEMS ARE INPLACE UNLESS NOTED BY ←
 2. WORK DESCRIPTION: F&I 1-X6-350/CAM 400 EXTENSION WITH PTZ CAMERA AND LED LUMINAIRE 3 ON POLE NUMBER 1.

| | | | | | | | | |
|----|------|-----------|-------------------------------------|--|--|-------------------------------|----------------|----------------|
| BY | DATE | REVISIONS | SYSTEM ID: 2093957 T.E. 100205 | REVISE SIGNAL SYSTEM A POLE NOTES | S.A.P. NO. | DRAWN BY: SJK | CKD BY: GAK | DATE: 12/13/23 |
| | | | METER ADDRESS: 2151 CLEVELAND AVE N | TH 36 AT CLEVELAND AVE AT CO. RD. B IN ROSEVILLE, RAMSEY COUNTY | CERTIFIED BY: <i>Gregory Ken</i> LICENSED PROFESSIONAL ENGINEER | LIC. NO. 26829 | DATE: 12/13/23 | |
| | | | OLD SYSTEM ID: | | STATE PROJ. NO. 6212-192 (T.H.36) | SHEET NO. SS10 OF SS30 SHEETS | | |

PLOTTED/REVISED: 13-DEC-2023

PLOT NAME: system A wire 1
FILENAME: Projects\DM_FOS\036\0000\Traffic\Signals\00_Cleveland Ave At Co.Rd B-2093957\Pending\2093957_.sgl.dgn

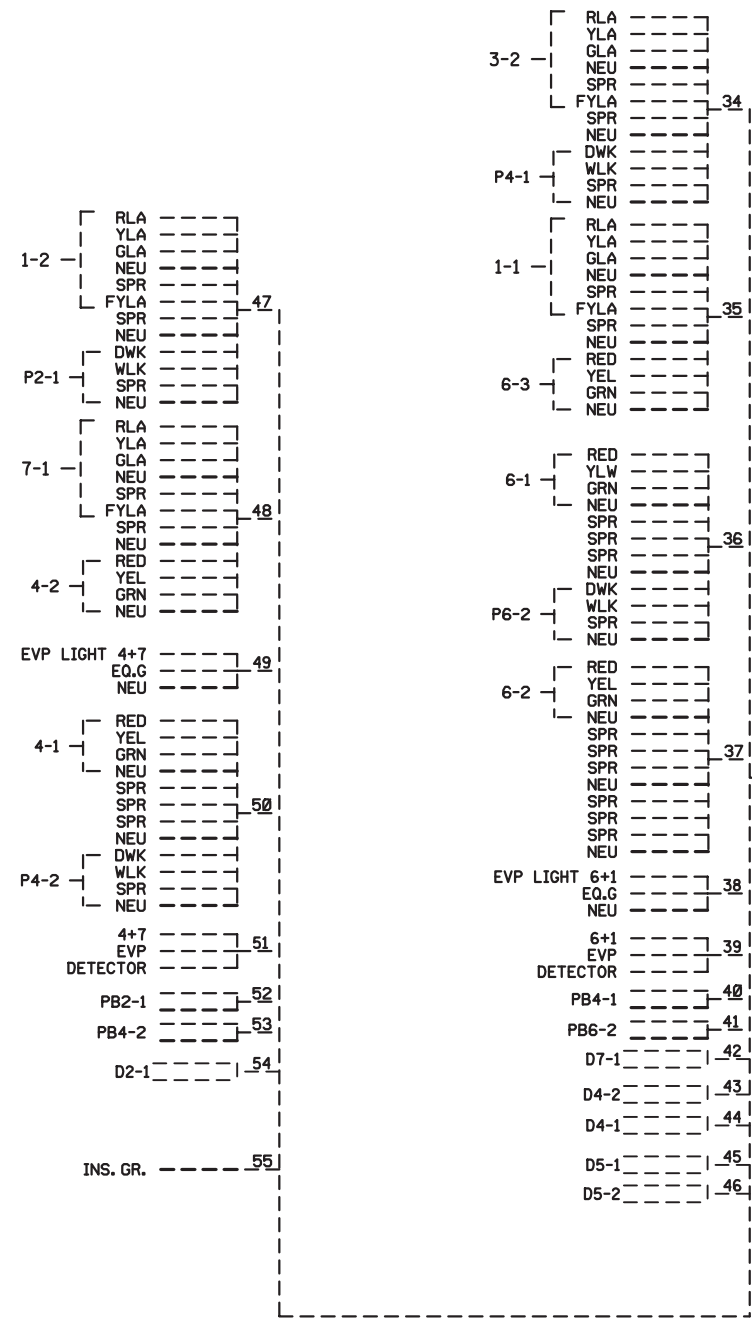


| BY | DATE | REVISIONS |
|----|------|-----------|
| | | |
| | | |
| | | |

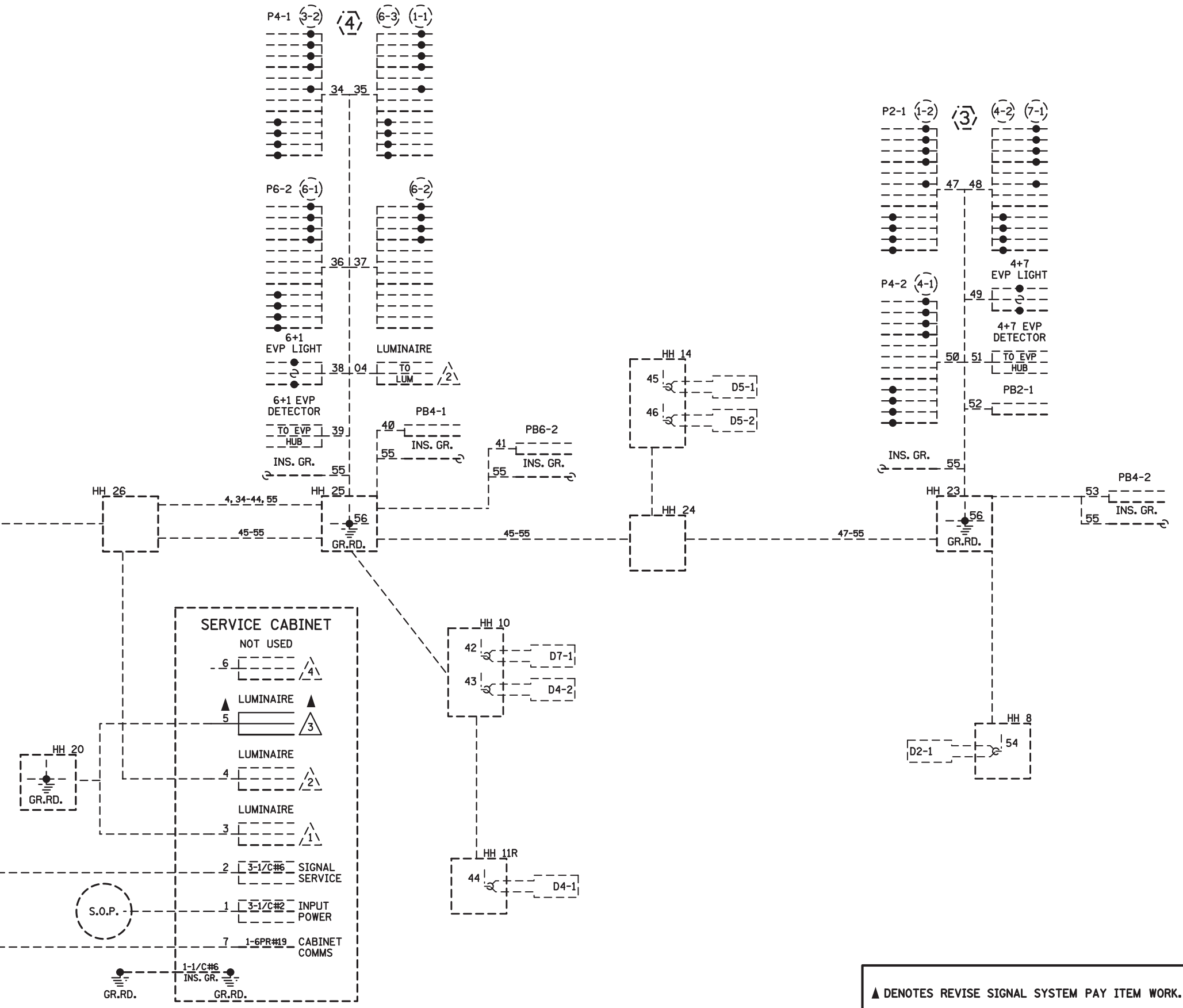
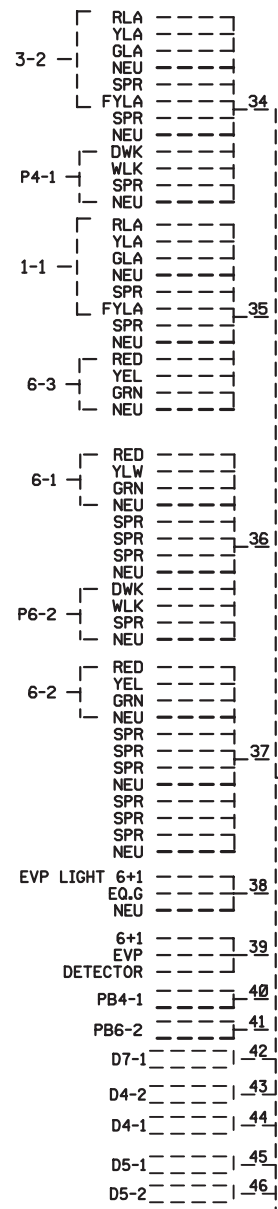
SYSTEM ID: 2093957 T.E. 100205
 METER ADDRESS: 2151 CLEVELAND AVE N
 OLD SYSTEM ID:

REVISE SIGNAL SYSTEM A
 WIRING DIAGRAM 1 OF 2
 TH 36 AT CLEVELAND AVE AT CO. RD. B
 IN ROSEVILLE, RAMSEY COUNTY

S.A.P. NO. _____
 DRAWN BY: SJK CKD BY: GAK DATE: 12/13/23
 CERTIFIED BY *Gregory Ken* LIC. NO. 26829 DATE: 12/13/23
 STATE PROJ. NO. 6212-192 (T.H.36) SHEET NO. SS11 OF SS30 SHEETS



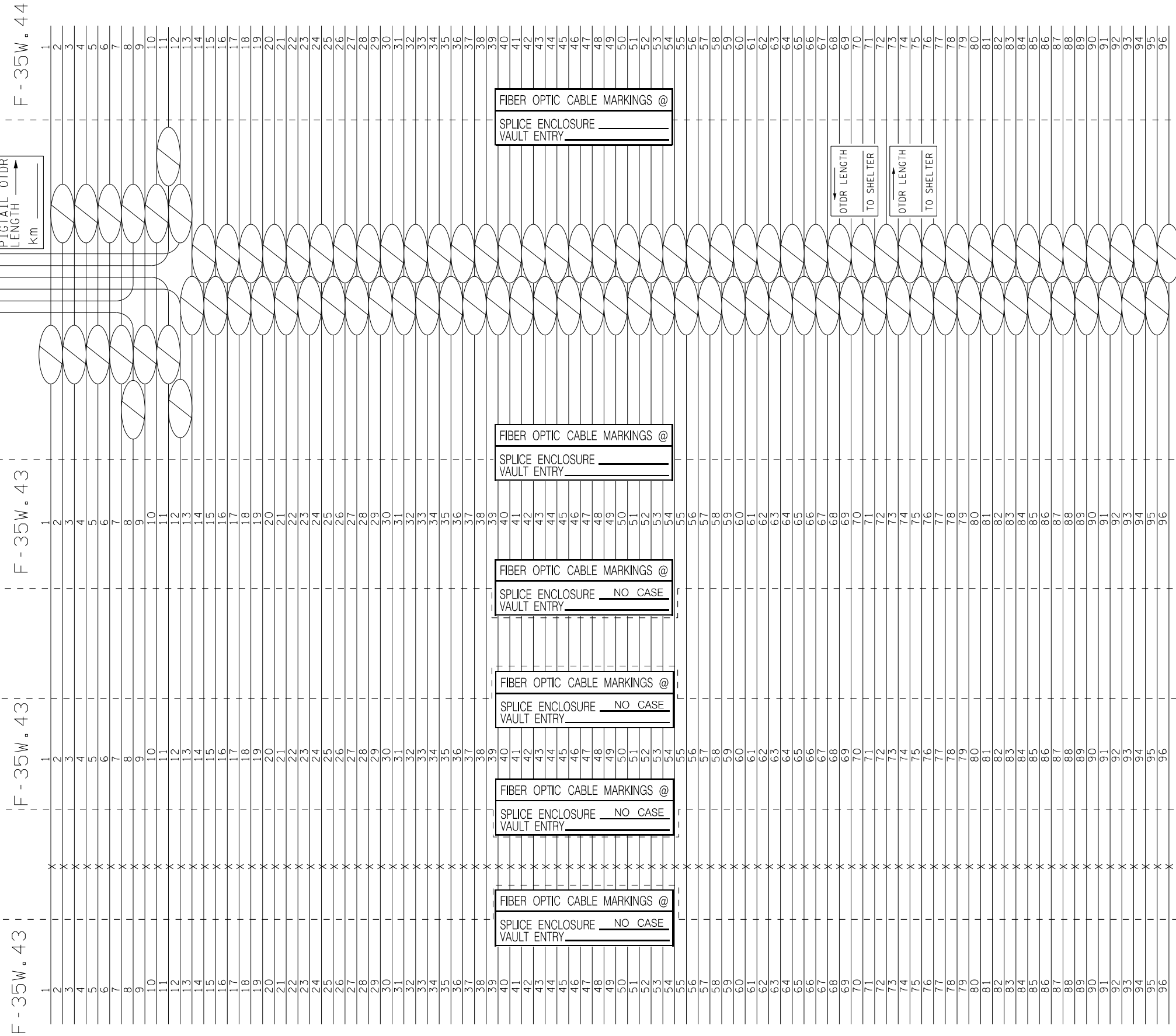
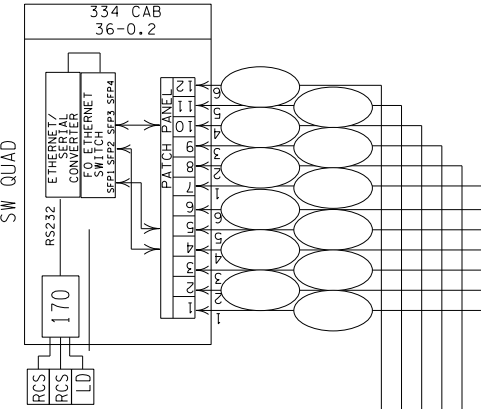
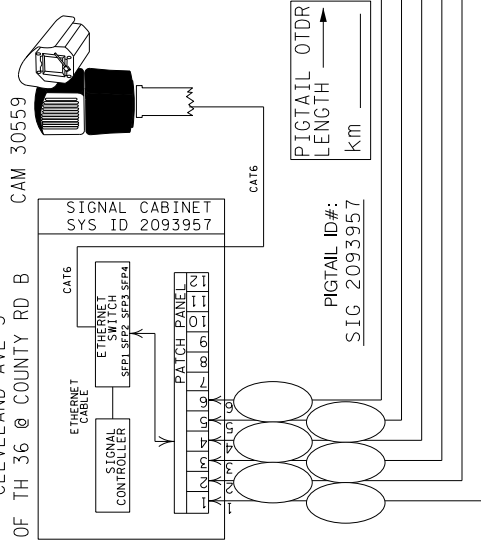
SIGNAL SERVICE 3-1/C#6 03
CABINET 1-6 PR#19 02 COMMS



▲ DENOTES REVISE SIGNAL SYSTEM PAY ITEM WORK.
ALL OTHER ITEMS SHOWN ARE INPLACE.

| BY | DATE | REVISIONS | SYSTEM ID: 2093957 T.E.100205 | REVISE SIGNAL SYSTEM A WIRING DIAGRAM 2 OF 2 | S.A.P. NO. | DRAWN BY: SJK | CKD BY: GAK | DATE: 12/13/23 |
|----|------|-----------|-------------------------------------|--|-----------------------------------|-------------------------------|----------------|----------------|
| | | | METER ADDRESS: 2151 CLEVELAND AVE N | TH 36 AT CLEVELAND AVE AT CO. RD. B | CERTIFIED BY: <i>Gregory Ken</i> | LIC. NO. 26829 | DATE: 12/13/23 | |
| | | | OLD SYSTEM ID: | IN ROSEVILLE, RAMSEY COUNTY | STATE PROJ. NO. 6212-192 (T.H.36) | SHEET NO. SS12 OF SS30 SHEETS | | |

CLEVELAND AVE S
 OF TH 36 @ COUNTY RD B



FIBER OPTIC CABLE MARKINGS @
 SPLICE ENCLOSURE _____
 VAULT ENTRY _____

FIBER OPTIC CABLE MARKINGS @
 SPLICE ENCLOSURE _____
 VAULT ENTRY _____

FIBER OPTIC CABLE MARKINGS @
 SPLICE ENCLOSURE NO CASE
 VAULT ENTRY _____

FIBER OPTIC CABLE MARKINGS @
 SPLICE ENCLOSURE NO CASE
 VAULT ENTRY _____

FIBER OPTIC CABLE MARKINGS @
 SPLICE ENCLOSURE NO CASE
 VAULT ENTRY _____

FIBER OPTIC CABLE MARKINGS @
 SPLICE ENCLOSURE NO CASE
 VAULT ENTRY _____

OTDR LENGTH
 TO SHELTER

OTDR LENGTH
 TO SHELTER

ENCLOSURE TYPE
 SPLIT CASE
 DOME
 MFG/MODEL

VAULT SB 35W/
 WB 36 TO TH 280
 NORTHWEST QUAD

VAULT E. OF 280
 SO. SIDE OF 35W/
 36 RDWY SPLIT

NEW VAULT CLEV.
 AVE/TH36-SW QUAD
 SPLICE TO NEW
 96SM TO EB
 TH36

FIBERS
 --- 37-192 --- DROPPED

PLOTTED/REVISED: 23-SEP-2022

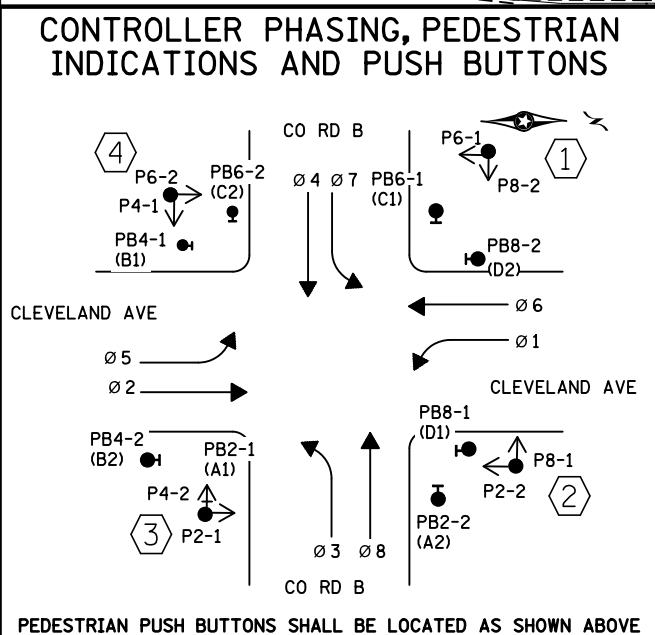
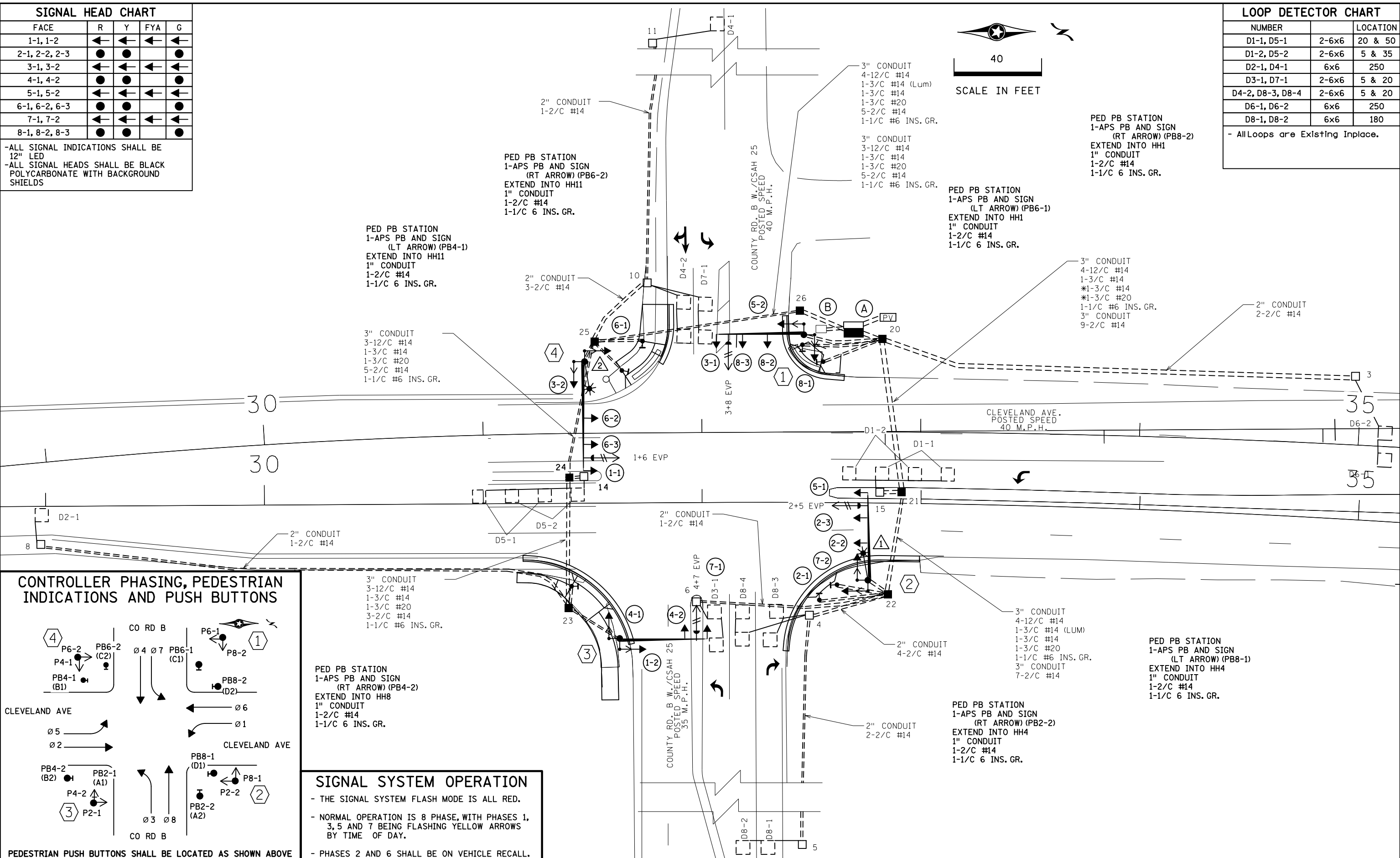
DISTRICT *: Metro
 IPLOT NAME: layout
 FILENAME: Projects\DM_PROS\036\0000\Traffic\Signals\00_Cleveland Ave At Co.Rd B-2093957\T 2093957_sgl.dgn

| SIGNAL HEAD CHART | | | | |
|-------------------|---|---|-----|---|
| FACE | R | Y | FYA | G |
| 1-1, 1-2 | ← | ← | ← | ← |
| 2-1, 2-2, 2-3 | ● | ● | ● | ● |
| 3-1, 3-2 | ← | ← | ← | ← |
| 4-1, 4-2 | ● | ● | ● | ● |
| 5-1, 5-2 | ← | ← | ← | ← |
| 6-1, 6-2, 6-3 | ● | ● | ● | ● |
| 7-1, 7-2 | ← | ← | ← | ← |
| 8-1, 8-2, 8-3 | ● | ● | ● | ● |

-ALL SIGNAL INDICATIONS SHALL BE 12" LED
 -ALL SIGNAL HEADS SHALL BE BLACK POLYCARBONATE WITH BACKGROUND SHIELDS

| LOOP DETECTOR CHART | | |
|---------------------|-------|----------|
| NUMBER | SIZE | LOCATION |
| D1-1, D5-1 | 2-6x6 | 20 & 50 |
| D1-2, D5-2 | 2-6x6 | 5 & 35 |
| D2-1, D4-1 | 6x6 | 250 |
| D3-1, D7-1 | 2-6x6 | 5 & 20 |
| D4-2, D8-3, D8-4 | 2-6x6 | 5 & 20 |
| D6-1, D6-2 | 6x6 | 250 |
| D8-1, D8-2 | 6x6 | 180 |

- All Loops are Existing Inplace.



SIGNAL SYSTEM OPERATION

- THE SIGNAL SYSTEM FLASH MODE IS ALL RED.
- NORMAL OPERATION IS 8 PHASE, WITH PHASES 1, 3, 5 AND 7 BEING FLASHING YELLOW ARROWS BY TIME OF DAY.
- PHASES 2 AND 6 SHALL BE ON VEHICLE RECALL.

| BY | DATE | REVISIONS | SYSTEM ID: 2093957 | T.E. | S.A.P. NO. | DRAWN BY: | CKD BY: | DATE: |
|-----|---------|---------------------------|-------------------------------------|------|------------|-----------|---------|-------|
| SJK | 9/22/22 | AS-BUILT PLAN SP 2783-166 | METER ADDRESS: 2151 CLEVELAND AVE N | | | | | |
| | | | OLD SYSTEM ID: | | | | | |

**INTERSECTION LAYOUT
 TH 36 AT CLEVELAND AVE AT CO. RD. B
 IN ROSEVILLE, RAMSEY COUNTY**

STATE PROJ. NO. 2783-166 (T.H.36) SHEET NO. 1 OF 4 SHEETS

PLOTTED/REVISED: 23-SEP-2022

DISTRICT *: Metro
 IPLOT NAME: pole notes
 FILENAME: Projects\DM_FROSO\36\000001\Traffic\Signals\100_Cleveland Ave At Co.Rd B-2093957\T 2093957_sgl.dgn

Ⓐ EQUIPMENT PAD (SEE DETAIL SHEET)
 SERVICE CABINET (SSB)
 CONTROLLER AND CABINET (STATE FURNISHED)
 3" CONDUIT INTO HH 20
 4-12/C #14
 1-3/C #14
 1-3/C #20
 1-1/C #6 INS. GR.
 3" CONDUIT INTO HH 20
 4-12/C #14
 1-3/C #14
 1-3/C #20
 1-1/C #6 INS. GR.
 3" CONDUIT INTO HH 20
 13-2/C #14
 3" CONDUIT INTO HH 26
 4-12/C #14
 1-3/C #14
 1-3/C #20
 5-2/C #14
 1-1/C #6 INS. GR.
 3" CONDUIT INTO HH 26
 3-12/C #14
 1-3/C #14
 1-3/C #20
 5-2/C #14
 1-1/C #6 INS. GR.

GROUND WIRE AND GROUND ROD - MIN 8' OUT FROM PAD
 2-2" AND 1-3" CONDUIT STUBBED OUT (CAPPED BOTH ENDS)
 CONTROLLER CABINET TO SERVICE CABINET
 2" CONDUIT
 3-1/C #6
 1-1/C #6 INS. GR.
 CONTROLLER CABINET TO SERVICE CABINET (COMMS)
 2" CONDUIT
 1-6PR #19
 2-1/C #6
 1-1/C #6 INS. GR.
 CONTROLLER CABINET TO POLE VAULT
 2" CONDUIT (CAPPED BOTH ENDS)
 (FUTURE FIBER CONNECTION)
 SERVICE CABINET TO HH 20
 2" CONDUIT
 1-3/C #14 (LUM)
 SERVICE CABINET TO HH 26
 2" CONDUIT
 1-3/C #14 (LUM)

Ⓑ SOURCE OF POWER
 PAD MOUNTED TRANSFORMER
 TRANSFORMER TO SERVICE CABINET
 2" CONDUIT
 3-1/C #2

Ⓘ PA90 POLE FOUNDATION
 TYPE PA90-A-40
 1-ANGLE MOUNT SIGNAL OVERHEAD AT 0' (3-1)
 2-STRAIGHT MOUNT SIGNAL OVERHEAD AT 11' (8-3) AND 23' (8-2)
 2-ANGLE MOUNT SIGNALS AT 90*(5-2) AND 180*(8-1)
 2-ANGLE MOUNT C.D. PED IND AT 90*(P6-1) AND 180*(P8-2)
 1-WAY EVP DETECTOR (PHASE #3+#8) MOUNTED 6' FROM END OF MAST ARM
 1-WAY EVP CONFIRMATOR LIGHT
 1-LEFT TURN YIELD ON FLASHING YELLOW ARROW SIGN
 TYPE "D" SIGN - SEE SIGNING SHEET
 3" CONDUIT INTO HH 20
 4-12/C #14
 1-3/C #14
 1-3/C #20
 1-1/C #6 INS. GR.

Ⓤ PA90 POLE FOUNDATION
 TYPE PA90-A-40
 1-ANGLE MOUNT SIGNAL OVERHEAD AT 0' (7-1)
 1-STRAIGHT MOUNT SIGNAL OVERHEAD AT 11' (4-2)
 2-ANGLE MOUNT SIGNALS AT 90*(1-2) AND 180*(4-1)
 2-ANGLE MOUNT C.D. PED IND AT 90*(P2-1) AND 180*(P4-2)
 1-WAY EVP DETECTOR (PHASE #4+#7) MOUNTED 6' FROM END OF MAST ARM
 1-WAY EVP CONFIRMATOR LIGHT
 1-APS PB AND SIGN (PB2-1)(LT ARROW)
 1-LEFT TURN YIELD ON FLASHING YELLOW ARROW SIGN
 TYPE "D" SIGN - SEE SIGNING SHEET
 3" CONDUIT INTO HH 23
 3-12/C #14
 1-3/C #14
 1-3/C #20
 1-2/C #14
 1-1/C #6 INS. GR.

Ⓣ PA90 POLE FOUNDATION
 TYPE PA90-A-40-40D-9 (DAVIT AT 350°)
 1-ANGLE MOUNT SIGNAL OVERHEAD AT 0' (5-1)
 2-STRAIGHT MOUNT SIGNAL OVERHEAD AT 11' (2-3) AND 23' (2-2)
 2-ANGLE MOUNT SIGNALS AT 180*(2-1) AND 270*(7-2)
 2-ANGLE MOUNT C.D. PED IND AT 270*(P4-1) AND 180*(P2-2)
 LUMINIERE-LED (FOR 40' MOUNTING HEIGHT)
 1-WAY EVP DETECTOR (PHASE #2+#5) MOUNTED 6' FROM END OF MAST ARM
 1-WAY EVP CONFIRMATOR LIGHT
 1-LEFT TURN YIELD ON FLASHING YELLOW ARROW SIGN
 TYPE "D" SIGN - SEE SIGNING SHEET
 3" CONDUIT INTO HH 22
 4-12/C #14
 1-3/C #14 (LUM)
 1-3/C #14
 1-3/C #20
 1-1/C #6 INS. GR.

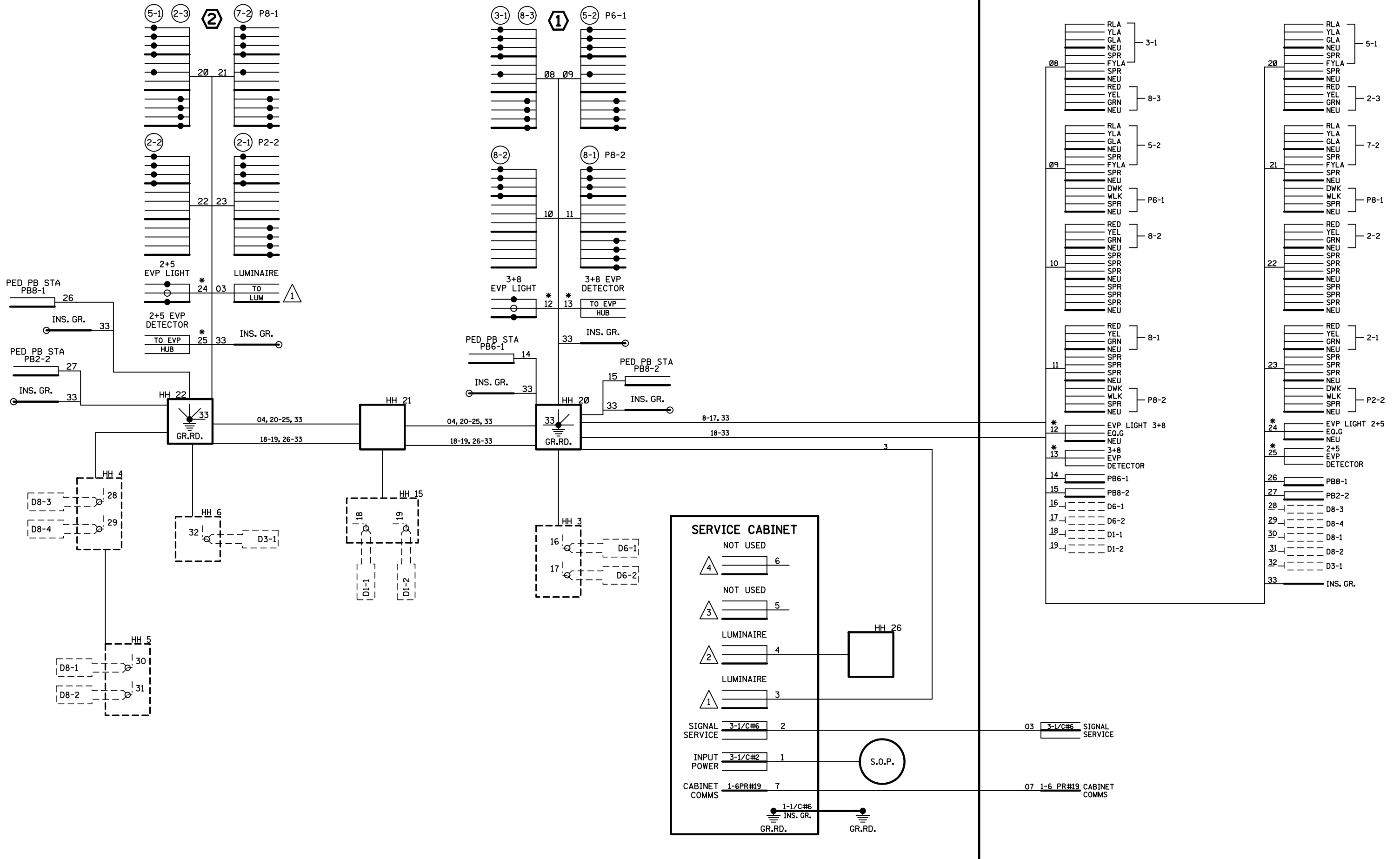
Ⓞ PA100 POLE FOUNDATION
 TYPE PA100-A-50-D40-9 (DAVIT AT 350°)
 1-ANGLE MOUNT SIGNAL OVERHEAD AT 0' (1-1)
 2-STRAIGHT MOUNT SIGNAL OVERHEAD AT 11' (6-3) AND 23' (6-2)
 2-ANGLE MOUNT SIGNALS AT 90*(3-2) AND 180*(6-1)
 2-ANGLE MOUNT C.D. PED IND AT 90*(P4-1) AND 180*(P6-2)
 LUMINAIRE-LED (FOR 40' MOUNTING HEIGHT)
 1-WAY EVP DETECTOR (PHASES #1+#6) MOUNTED 6' FROM END OF MAST ARM
 1-WAY EVP CONFIRMATOR LIGHT
 1-LEFT TURN YIELD ON FLASHING YELLOW ARROW SIGN
 TYPE "D" SIGN - SEE SIGNING SHEET
 3" CONDUIT INTO HH 25
 4-12/C #14
 1-3/C #14 (LUM)
 1-3/C #14
 1-3/C #20
 1-1/C #6 INS. GR.

| BY | DATE | REVISIONS |
|-----|---------|---------------------------|
| SJK | 9/22/22 | AS-BUILT PLAN SP 2783-166 |

SYSTEM ID: 2093957 T.E.
 METER ADDRESS: 2151 CLEVELAND AVE N
 OLD SYSTEM ID:

POLE NOTES
TH 36 AT CLEVELAND AVE AT CO. RD. B
IN ROSEVILLE, RAMSEY COUNTY

| | | | |
|----------------------------------|----------------|-------------------------|-------|
| S.A.P. NO. | DRAWN BY: | CKD BY: | DATE: |
| CERTIFIED BY _____ | LIC. NO. _____ | DATE: _____ | |
| STATE PROJ.NO. 2783-166 (T.H.36) | | SHEET NO. 2 OF 4 SHEETS | |

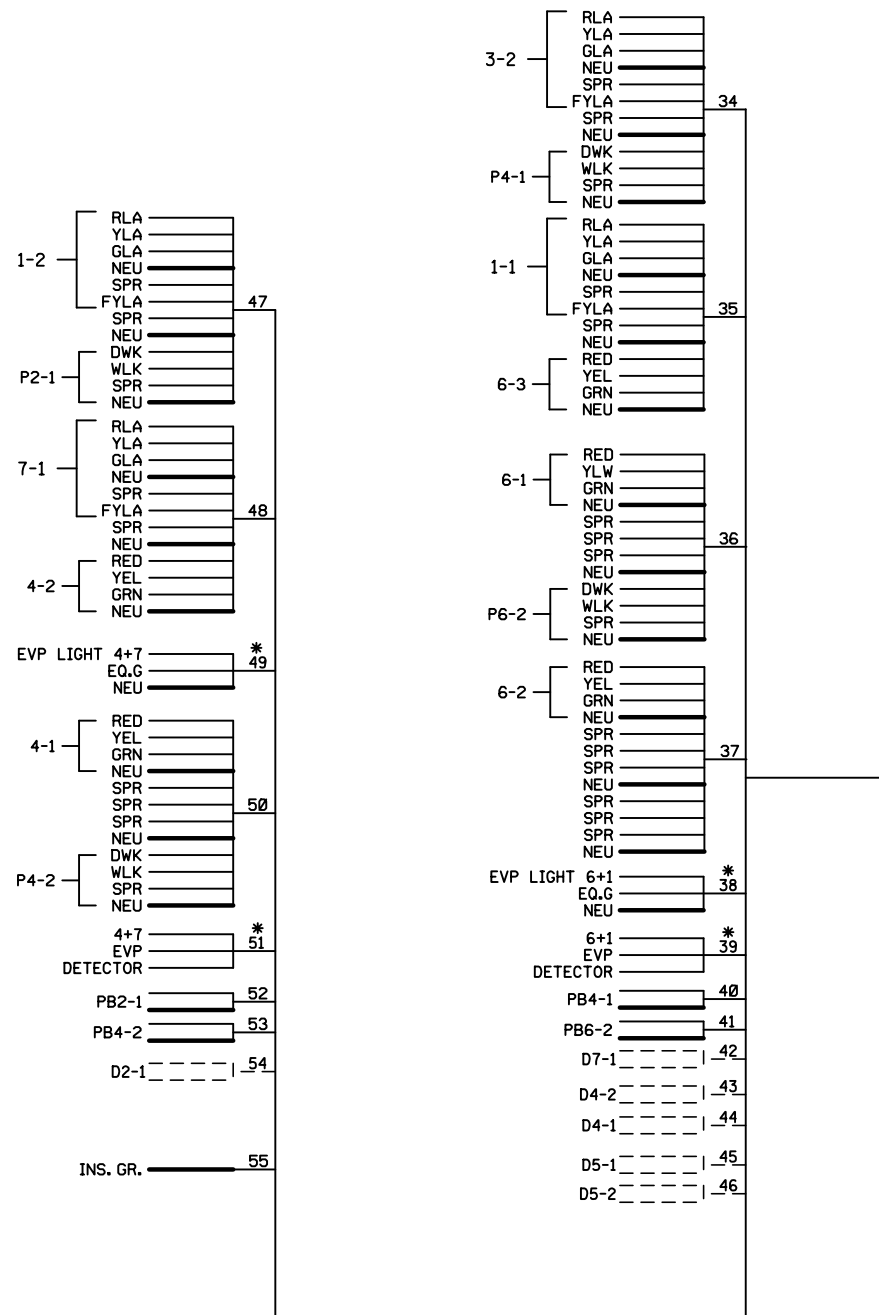


| BY | DATE | REVISIONS |
|-----|---------|---------------------------|
| SJK | 9/22/22 | AS-BUILT PLAN SP 2783-166 |

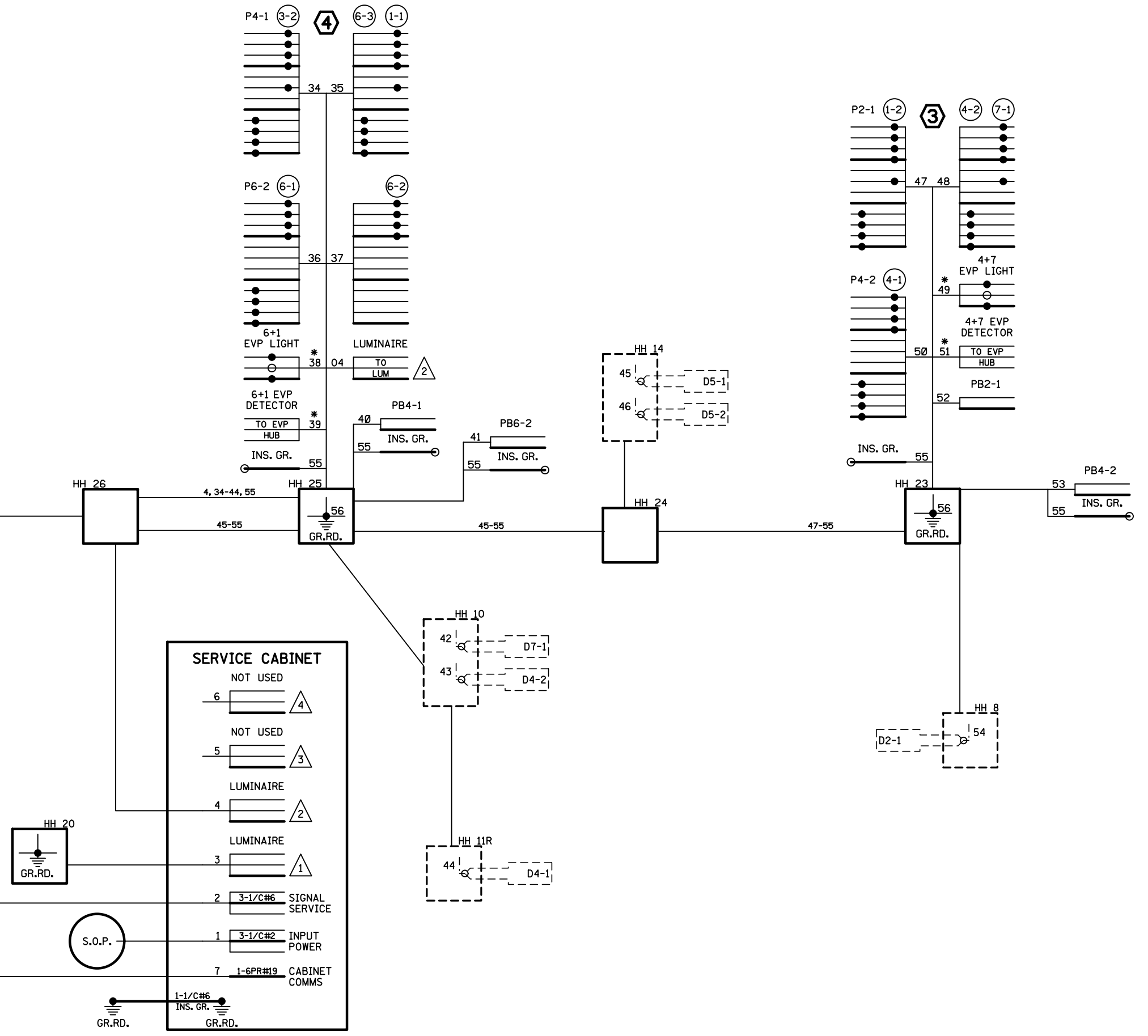
SYSTEM ID: 2093957 T.E.
 METER ADDRESS: 2151 CLEVELAND AVE N
 OLD SYSTEM ID:

WIRING DIAGRAM 1 OF 2
TH 36 AT CLEVELAND AVE AT CO. RD. B
IN ROSEVILLE, RAMSEY COUNTY

| | | | |
|----------------------------------|----------------|-------------------------|-------|
| S.A.P. NO. | DRAWN BY: | CKD BY: | DATE: |
| CERTIFIED BY _____ | LIC. NO. _____ | DATE: _____ | |
| STATE PROJ.NO. 2783-166 (T.H.36) | | SHEET NO. 3 OF 4 SHEETS | |



SIGNAL SERVICE 3-1/C#6 03
 CABINET COMMS 1-6 PR#19 02



SERVICE CABINET

- NOT USED 6 [] 4
- NOT USED 5 [] 3
- LUMINAIRE 4 [] 2
- LUMINAIRE 3 [] 1
- 2 3-1/C#6 SIGNAL SERVICE
- 1 3-1/C#2 INPUT POWER
- 7 1-6PR#19 CABINET COMMS
- 1-1/C#6 INS. GR. GR.RD.

| | | | | | | | | |
|-----|---------|---------------------------|-------------------------------------|------|----------------------------------|----------------|-------------------------|-------|
| BY | DATE | REVISIONS | SYSTEM ID: 2093957 | T.E. | S.A.P. NO. | DRAWN BY: | CKD BY: | DATE: |
| SJK | 9/22/22 | AS-BUILT PLAN SP 2783-166 | METER ADDRESS: 2151 CLEVELAND AVE N | | CERTIFIED BY _____ | LIC. NO. _____ | DATE: _____ | |
| | | | OLD SYSTEM ID: | | STATE PROJ.NO. 2783-166 (T.H.36) | | SHEET NO. 4 OF 4 SHEETS | |