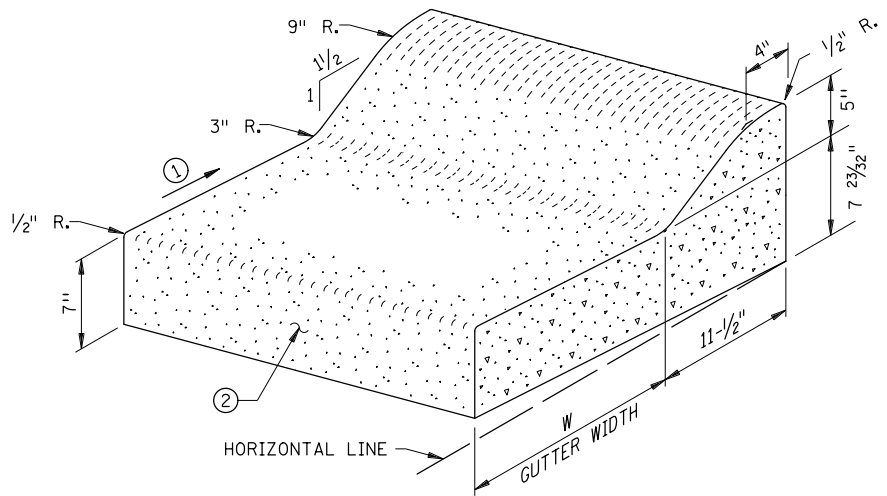


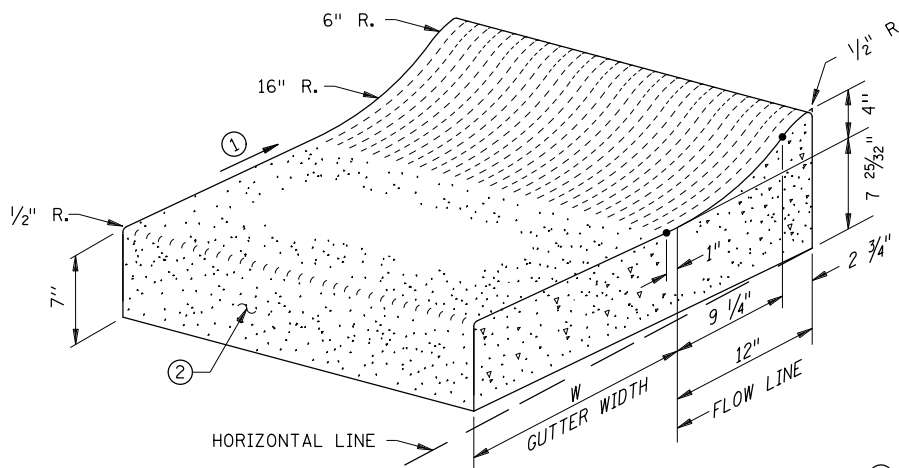
D DESIGN NO.	GUTTER WIDTH W	CONCRETE	
		CU. YDS. PER LIN. FT.	LIN. FT. PER CU. YD.
D412	12"	0.0505	19.8
D418	18"	0.0613	16.3
D424	24"	0.0721	13.9
D436	36"	0.0937	10.7

DESIGN D

S DESIGN NO.	GUTTER WIDTH W	CONCRETE	
		CU. YDS. PER LIN. FT.	LIN. FT. PER CU. YD.
S512	12-1/2"	0.0541	18.5
S518	18-1/2"	0.0649	15.4
S524	24-1/2"	0.0757	13.2
S530	30-1/2"	0.0865	11.6
S536	36-1/2"	0.0973	10.3



DESIGN S



DESIGN R

R DESIGN NO.	GUTTER WIDTH W	CONCRETE	
		CU. YDS. PER LIN. FT.	LIN. FT. PER CU. YD.
R412	12"	0.0492	20.3
R418	18"	0.0600	16.7
R424	24"	0.0708	14.1
R436	36"	0.0924	10.8

NOTES:

- ① SLOPE 3/4" PER FOOT NORMAL UNLESS OTHERWISE SPECIFIED. IF A DIFFERENT GUTTER SLOPE IS SPECIFIED, THE FORM MAY BE TILTED.
- ② LONGITUDINAL JOINT WHEN ADJACENT TO RIGID PAVEMENT OR BASE. SEE STANDARD PLANS MANUAL FOR JOINT INFORMATION.

APPROVED AUGUST 28, 2017

Ron Smith
STATE DESIGN ENGINEER

STATE OF MINNESOTA
DEPARTMENT OF TRANSPORTATION

CONCRETE CURB AND GUTTER
DESIGN D, DESIGN S AND DESIGN R

SPECIFICATION
REFERENCE

2531

STANDARD
PLATE
NO.

7102K